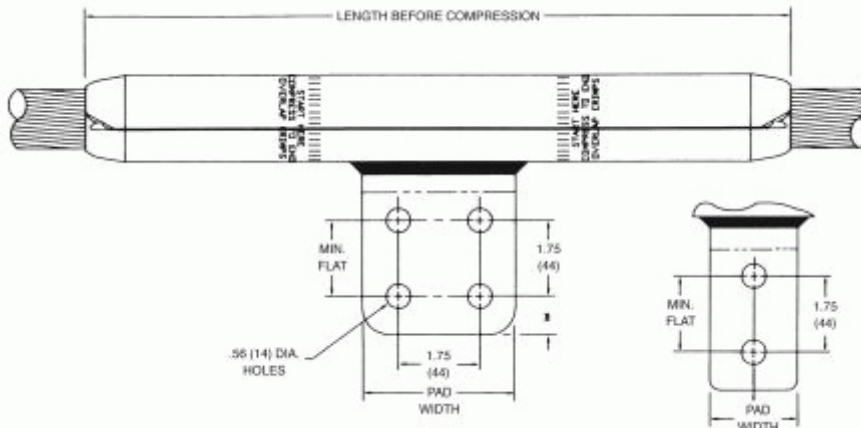




Product Datasheet

ANDERSON FARGO

ORT2114 -- Compression Tee Tap



Compression Tee Tap, Cable-to-Pad, Open Run, Run Cond. Range: 1.236-1.330, 4-Hole Pad

Product Specifications

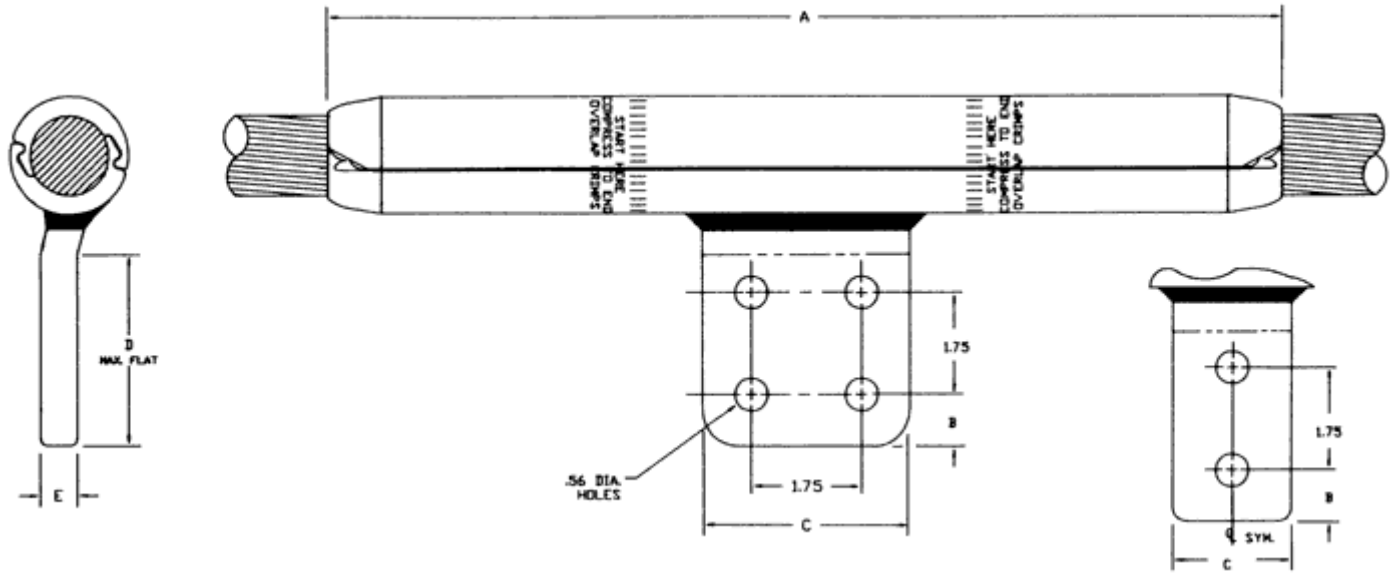
<p>Series</p>	
<p>PDF Catalog Page</p>	<p>Click HERE to view the web page.</p>
<p>Main Conductor Range (in)</p>	<p>1.236-1.330</p>
<p>Run Length before Compression</p>	<p>20.8 in (527 mm)</p>
<p>Pad Width</p>	<p>3.0 in (76 mm)</p>
<p>Pad Holes</p>	<p>4</p>
<p>Compression Method</p>	<p>Single Die</p>
<p>Material & Connection Method</p>	<p>Aluminum Compression</p>
<p>Die Size</p>	<p>14CD</p>
<p>Minimum Press (Tons)</p>	<p>60</p>
<p>Voltage Application</p>	<p>EHV & Std</p>
<p>Inhibitor Loaded</p>	<p>No</p>
<p>Run Conductor Minimum - Maximum Range</p>	<p>AAC 1192.5 kcmil (61) thru AAC 1272 kcmil (61) ACSR 1033.5 kcmil (54/7) thru 1192.5 kcmil (45/7)</p>
<p>Material Type</p>	<p>Non-Standard</p>
<p>UPC Code</p>	<p>09635936453</p>
<p>Standard Package</p>	<p>3</p>
<p>Standard Package Unit</p>	<p>Each</p>
<p>MOQ</p>	<p>1</p>
<p>Weight / Ea.</p>	<p>4.753 lbs</p>

Features

Tapers and pad are coated with protective strippable plastic. Pad holes have NEMA spacing.

Compressed Product Number

ORT2114



[Catalog Home](#)



[Warranty Info](#) | [Trademarks](#) | [Terms of Use](#)

All contents Copyright © 2007 Hubbell Power Systems, Inc. All rights reserved.

NOTE: Because Hubbell has a policy of continuous product improvement, we reserve the right to change design and specifications without notice.