

# CHANGE<sup>®</sup> Aluminum Hardware & Apitong Wood

**Catalog 5B November 2015**



# Table of Contents

<b>BRACES</b>	<b>PAGES</b>
• Crossarm, Apitong Wood .....	4 - 5
• Side Arm (Alley Arm), Apitong Wood .....	6
<b>BANDING</b>	
• For Pole Attachment .....	7
<b>BRACKETS</b>	
• Cable Positioning, for Riser Cable.....	8
• Cabinet Mounting .....	9
• Conduit Standoffs and Strap Kits .....	10
• Conduit T-Slots .....	11
• Current Transformer .....	12
• Equipment, Apitong Wood Type .....	13
• Equipment, Banded Pole Mounting .....	14
• Equipment, Bolted Pole Mounting .....	15
• Equipment, Curved Type .....	16
• Equipment, Straight Type .....	17 - 18
• Heavy Duty Equipment, Curved Type .....	19
• Primary Meter .....	20 - 23
• Recloser .....	24
• Transformer.....	25 - 31
<b>PLATFORMS</b>	
• Heavy Equipment .....	32 - 33
<b>RACKS</b>	
• Capacitor .....	34

To crossmatch other manufacturers' catalog numbers,  
visit [hubbellpowersystems.com](http://hubbellpowersystems.com)



# Index by Product Catalog No.



Catalog No.	Cat. Pg.	Catalog No.	Cat. Pg.	Catalog No.	Cat. Pg.	Catalog No.	Cat. Pg.
C10M26	5B-26	C4M295	5B-26	CD4080	5B-7	CPSEHD222	5B-33
C10M2614	5B-26	C4WT12	5B-11	CDM2M2	5B-30	CPSEHD222WKY	5B-33
C10M265	5B-26	C4WT120	5B-11	CDM4M2	5B-30	CPSEHD222WKY	5B-33
C10M29	5B-26	C4WT24	5B-11	CEMB1	5B-14	CR3CA	5B-16
C10M2914	5B-26	C4WT36	5B-11	CEMB2	5B-14	CR3CA2C	5B-16
C10M295	5B-26	C4WT48	5B-11	CEMB3	5B-14	CR3CA2C48	5B-16
C114201SSB100	5B-7	C4WT60	5B-11	CEP18	5B-27	CR3CA48	5B-16
C11MW24	5B-29	C5M16	5B-26	CEPEKRD	5B-33	CR3CAC	5B-16
C11MW24L	5B-29	C5M1614	5B-26	CHDBB1511H	5B-7	CR3CAC48	5B-16
C12MW24	5B-29	C5M165	5B-26	CHDBB1511H3H	5B-7	CR3CSA48	5B-19
C12MW30	5B-29	C5M19	5B-26	CHDPMM4	5B-20	CRAAB60	5B-6
C15M36	5B-26	C5M1914	5B-26	CHDPMM6	5B-20	CRAAB60LS	5B-6
C15M3614	5B-26	C5M195	5B-26	CP122	5B-33	CRAAB76	5B-6
C15M361436	5B-28	C6CSO12	5B-10	CP1222WKY	5B-33	CRAAB76LS	5B-6
C15M365	5B-26	C6CSO24	5B-10	CP122WKY	5B-33	CRAAB84	5B-6
C15M39	5B-26	C6CSO36	5B-10	CP142	5B-33	CRAAB84LS	5B-6
C15M3914	5B-26	C6M36	5B-26	CP1422WKY	5B-33	CRSM1	5B-24
C15M391436	5B-28	C6M3614	5B-26	CP142WKY	5B-33	CRSM2	5B-24
C15M395	5B-26	C6M365	5B-26	CP162	5B-33	CRSM3	5B-24
C15M3969	5B-26	C6M36M	5B-26	CP1622WKY	5B-33	CSTK1	5B-10
C15M396914	5B-26	C6M36M14	5B-26	CP162WKY	5B-33	CSTK15	5B-10
C15M39695	5B-26	C6M36M5	5B-26	CPEHD142	5B-33	CSTK2	5B-10
C1HCA	5B-15	C6M39	5B-26	CPEHD1422WKY	5B-33	CSTK25	5B-10
C1HCA18	5B-15	C6M3914	5B-26	CPEHD142WKY	5B-33	CSTK3	5B-10
C1HCA181PB	5B-15	C6M395	5B-26	CPEHD162	5B-33	CSTK35	5B-10
C1HCA1PB	5B-15	C6M3969	5B-26	CPEHD1622WKY	5B-33	CSTK4	5B-10
C1HCA2C	5B-15	C6M396914	5B-26	CPEHD162WKY	5B-33	CSTK5	5B-10
C1HCA2C18	5B-15	C6M39695	5B-26	CPEHD182	5B-33	CSTK6	5B-10
C1HCA2C181PB	5B-15	C6PA	5B-18	CPEHD1822WKY	5B-33	CTB2M16	5B-31
C1HCA2C1PB	5B-15	C9CSO12	5B-10	CPEHD182WKY	5B-33	CTB2M19	5B-31
C1HCAC	5B-15	C9CSO24	5B-10	CPEHD202	5B-33	CTB5M16	5B-31
C1HCAC18	5B-15	C9CSO36	5B-10	CPEHD2022WKY	5B-33	CTB5M19	5B-31
C1HCAC181PB	5B-15	CATTDK	5B-33	CPEHD202WKY	5B-33	CTBEMB1	5B-18
C1HCAC1PB	5B-15	CBAB38	5B-7	CPEHD222	5B-33	CTBEMB13PA	5B-17
C1PA	5B-18	CBAB3836	5B-7	CPEHD2222WKY	5B-33	CTBEMB13PA35	5B-17
C1PB	5B-15	CBAB3840	5B-7	CPEHD222WKY	5B-33	CTBEMB16PA	5B-17
C2M16M	5B-26	CBAB3848	5B-7	CPEPKHD	5B-33	CTBEMB16PA35	5B-17
C2M16M14	5B-26	CBAB3860	5B-7	CPEPKHD	5B-33	CTBPMM2	5B-20
C2M16M5	5B-26	CBAB3872	5B-7	CPEPKSEHD	5B-33	CW3CA35	5B-13
C2M19M	5B-26	CBAB3884	5B-7	CPHD142	5B-33	CW3CA48	5B-13
C2M19M14	5B-26	CBAB58	5B-7	CPHD1422WKY	5B-33	CW3CA57OS	5B-13
C2M19M5	5B-26	CBAB5836	5B-7	CPHD142WKY	5B-33	CWT3CA48	5B-14
C2PA	5B-18	CBAB5840	5B-7	CPHD162	5B-33	PSCAF4814	5B-5
C2WT12	5B-11	CBAB5848	5B-7	CPHD1622WKY	5B-33	PSCAF4818	5B-5
C2WT120	5B-11	CBAB5860	5B-7	CPHD162WKY	5B-33	PSCAF4824	5B-5
C2WT24	5B-11	CBAB5872	5B-7	CPHD182	5B-33	PSCAF6018	5B-5
C2WT36	5B-11	CBAB5884	5B-7	CPHD1822WKY	5B-33	PSCAF6030	5B-5
C2WT48	5B-11	CBPMM2K	5B-20	CPHD182WKY	5B-33	PSCAF626	5B-5
C2WT60	5B-11	CCMB1218	5B-9	CPMM4	5B-20	PSCAF7222	5B-5
C321A	5B-27	CCMB1624	5B-9	CPMM6	5B-20	PSCRA4814	5B-5
C321A	5B-31	CCMB1830	5B-9	CPSEHD142	5B-33	PSCRA4818	5B-5
C34201SSB100	5B-7	CCMB812	5B-9	CPSEHD1422WKY	5B-33	PSCRA4824	5B-5
C3MW24	5B-29	CCR1	5B-34	CPSEHD142WKY	5B-33	PSCRA6018	5B-5
C3MW24M	5B-29	CCR3	5B-34	CPSEHD162	5B-33	PSCRA6030	5B-5
C3MW24ML	5B-29	CCR34	5B-34	CPSEHD1622WKY	5B-33	PSCRA7222	5B-5
C3PA	5B-18	CCR6	5B-34	CPSEHD162WKY	5B-33	PSCRA7236	5B-5
C3SPR66	5B-24	CCR912	5B-34	CPSEHD182	5B-33		
C4M26	5B-26	CCS820	5B-8	CPSEHD1822WKY	5B-33		
C4M2614	5B-26	CCTM1	5B-12	CPSEHD182WKY	5B-33		
C4M265	5B-26	CCTM2	5B-12	CPSEHD202	5B-33		
C4M29	5B-26	CCTM3	5B-12	CPSEHD2022WKY	5B-33		
C4M2914	5B-26	CCTM4	5B-12	CPSEHD202WKY	5B-33		



## Braces, Crossarm, Apitong Wood

Dense-fiber Apitong wood  
from sustainably-managed forest

- High Strength
- Lightweight
- Pressure-treated preservative for protection against decay, fungi and insects

### Aluminum end fittings

- Lightweight and Corrosion Resistant
- Tongue-and-groove connection
- Pinned to wood section



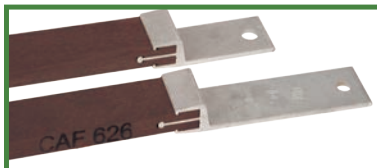
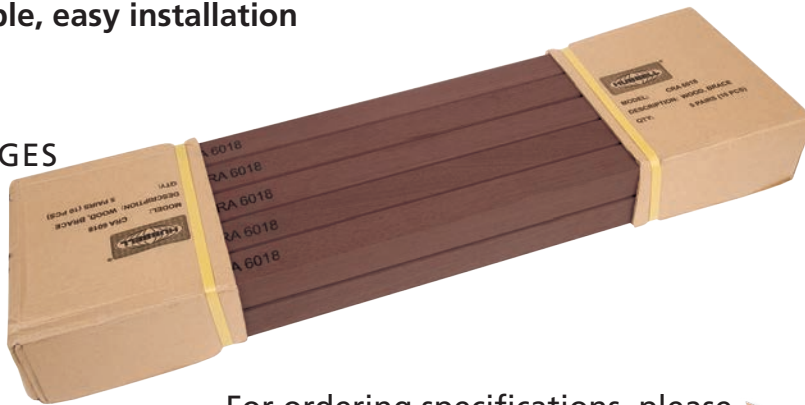
### Two Mounting Positions . . . Three Popular Sizes

- Side-arm mounting
  - Flat Brace  $1\frac{3}{16}$ " x  $1\frac{3}{4}$ " wood section
- Under-arm mounting
  - $1\frac{1}{4}$ " sq. wood section
  - $1\frac{3}{4}$ " sq. wood section

Sold in Pairs — Reversible for simple, easy installation


RUS listed

- CONVENIENT MASTER PACKAGES
  - Side-Arm Braces, 10 pairs each
  - Under-Arm Braces, 5 pairs each



Side-Arm Brace

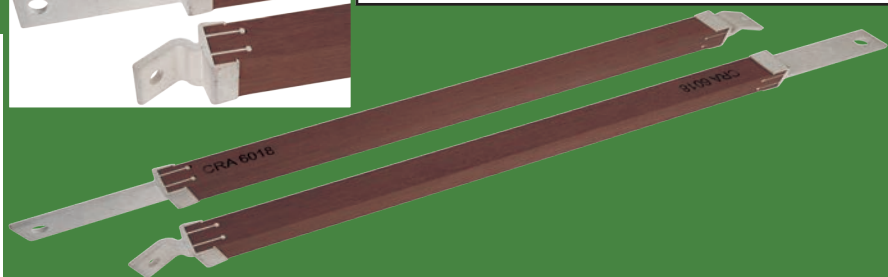


For ordering specifications, please see next page. 

- END FITTING SHAPES ARE DESIGNED TO SERVE SPECIFIC APPLICATIONS



Under-Arm Brace



# Braces, Crossarm, Apitong Wood



Side-Arm Mount $1\frac{3}{16}$ " x $1\frac{3}{4}$ "-flat Apitong Wood Section					
Catalog Number	Span	Drop	Length	Pole Mounting Hole	Crossarm Mounting Hole
PSCAF626*	38"	18"	26"	9/16"	7/16"

Catalog number includes a pair of braces

\* RUS Listed cu - Brace, crossarm, wood

Under-Arm Mount $1\frac{1}{4}$ "-square Apitong Wood Section					
Catalog Number	Span	Drop	Length	Pole Mounting Hole	Crossarm Mounting Hole
PSCAF4814	48"	14"	28"	11/16"	9/16"
PSCAF4818	48"	18"	30"	11/16"	9/16"
PSCAF4824	48"	24"	34"	11/16"	9/16"
PSCAF6018	60"	18"	35"	11/16"	9/16"
PSCAF6030	60"	30"	42"	11/16"	9/16"
PSCAF7222	72"	22"	42"	11/16"	9/16"

Catalog number includes a pair of braces



Under-Arm Mount $1\frac{3}{4}$ "-square Apitong Wood Section					
Catalog Number	Span	Drop	Length	Pole Mounting Hole	Crossarm Mounting Hole
PSCRA4814	48"	14"	28"	11/16"	9/16"
PSCRA4818	48"	18"	30"	11/16"	9/16"
PSCRA4824	48"	24"	34"	11/16"	9/16"
PSCRA6018*	60"	18"	35"	11/16"	9/16"
PSCRA6030*	60"	30"	42"	11/16"	9/16"
PSCRA7222	72"	22"	42"	11/16"	9/16"
PSCRA7236	72"	36"	51"	11/16"	9/16"

Catalog number includes a pair of braces

\* RUS Listed cu - Brace, crossarm, wood

# Braces, Side Arm (Alley Arm), Apitong Wood

Brace used to support a crossarm that is unevenly balanced on one side of the pole

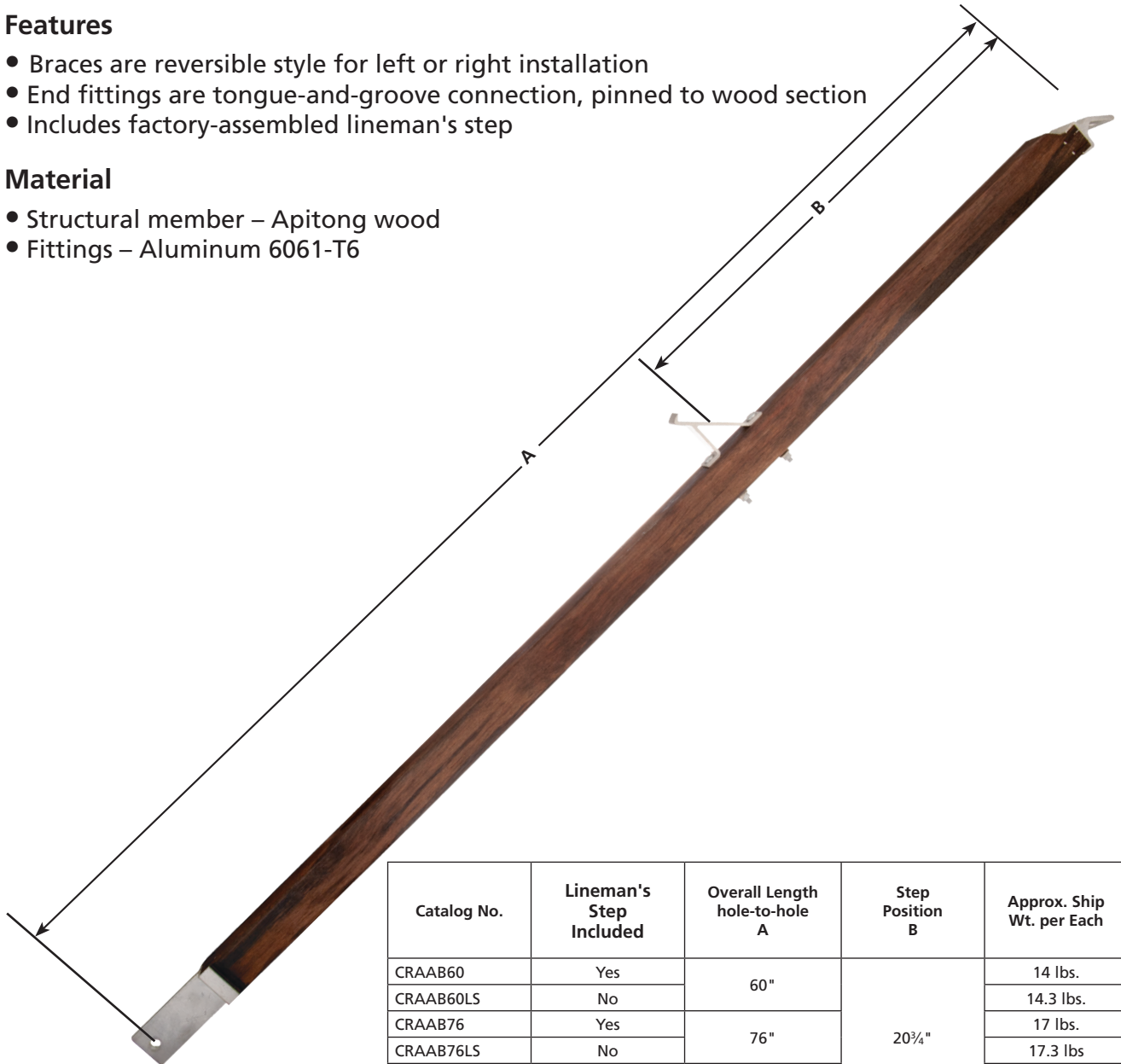
- Dense-fiber Apitong wood from sustainably-managed forest
- Pressure-treated preservative for protection against decay, fungi and insects

**Features**

- Braces are reversible style for left or right installation
- End fittings are tongue-and-groove connection, pinned to wood section
- Includes factory-assembled lineman's step

**Material**

- Structural member – Apitong wood
- Fittings – Aluminum 6061-T6



Catalog No.	Lineman's Step Included	Overall Length hole-to-hole A	Step Position B	Approx. Ship Wt. per Each
CRAAB60	Yes	60"	20 <sup>3</sup> / <sub>4</sub> "	14 lbs.
CRAAB60LS	No			14.3 lbs.
CRAAB76	Yes	76"		17 lbs.
CRAAB76LS	No			17.3 lbs.
CRAAB84	Yes	84"		19 lbs.
CRAAB84LS	No			19.3 lbs.

# Banding, for Pole Attachments

A no-drilling way to attach components to a pole of any size or shape.

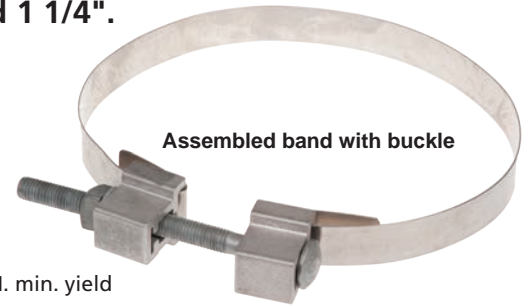
- Attaches to steel, concrete, composite or wood poles of any shape and size.
- Type 201 stainless steel bands in widths of 3/4" and 1 1/4".

## Features

- Easily installs with standard hand tools
- Adjustable for any sized pole
- Can be cut to length at installation or ordered in pre-cut lengths

## Material

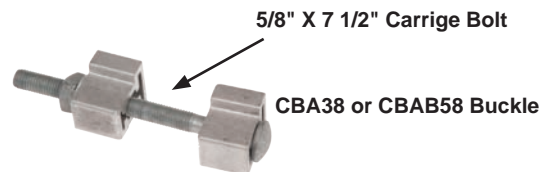
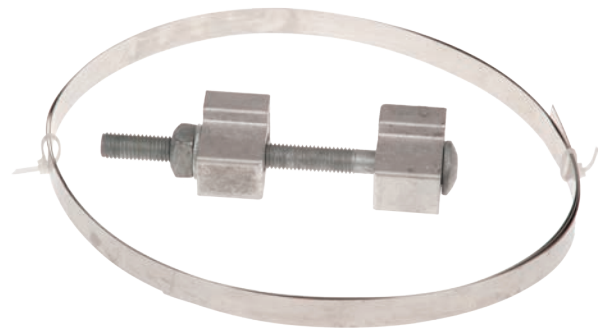
- Fittings - Aluminum 6061-T6
- Bands - 201 Stainless steel bands with 95,000 P.S.I. min. tensile and 45,000 P.S.I. min. yield
- Bolt - Galvanized steel per ASTM A-153



When determining the band length, add 6" to the circumference of the structure.

## Stainless Steel Band Kits - Standard Lengths, Includes One Buckle

Catalog Number	Band Width	Length	Approx. Ship Wt. Each	Buckle Catalog No.
CBAB3836	3/4"	36"	2.0 lbs.	CBAB38
CBAB3840	3/4"	40"	2.0 lbs.	CBAB38
CBAB3848	3/4"	48"	2.0 lbs.	CBAB38
CBAB3860	3/4"	60"	2.0 lbs.	CBAB38
CBAB3872	3/4"	72"	2.0 lbs.	CBAB38
CBAB3884	3/4"	84"	2.0 lbs.	CBAB38
CBAB5836	1 1/4"	36"	3.0 lbs.	CBAB58
CBAB5840	1 1/4"	40"	3.0 lbs.	CBAB58
CBAB5848	1 1/4"	48"	3.0 lbs.	CBAB58
CBAB5860	1 1/4"	60"	3.0 lbs.	CBAB58
CBAB5872	1 1/4"	72"	3.0 lbs.	CBAB58
CBAB5884	1 1/4"	84"	3.0 lbs.	CBAB58



## Stainless Steel Bands - 100' Coils

Catalog Number	Band Width	Length	Approx. Ship Wt. Each	Buckle Catalog No.
C34201SSB100	3/4"	100'	8.0 lbs	CBAB38
C114201SSB100	1 1/4"	100'	20.0 lbs.	CBAB58

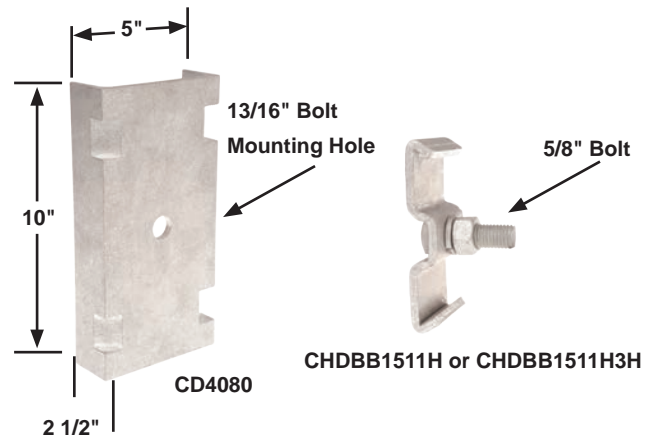
Note: Order quantity 1 for one 100' coil

## Buckles for Bands

Catalog Number	Band Width	Approx. Ship Wt. Each
CBAB38	3/4"	1.50 lbs.
CBAB58	1 1/4"	1.50 lbs.

## General Purpose Mounting Brackets

Catalog Number	Description	Band Width	Approx. Ship Wt. Each
CHDBB1511H	Bracket with standard 5/8" x 2" bolt	3/4"	0.65 lbs.
CHDBB1511H3H	Bracket with Grade 5, 5/8" x 3" bolt	3/4"	0.70 lbs.
CD4080	Aluminum bracket	1 1/4"	2.30 lbs.

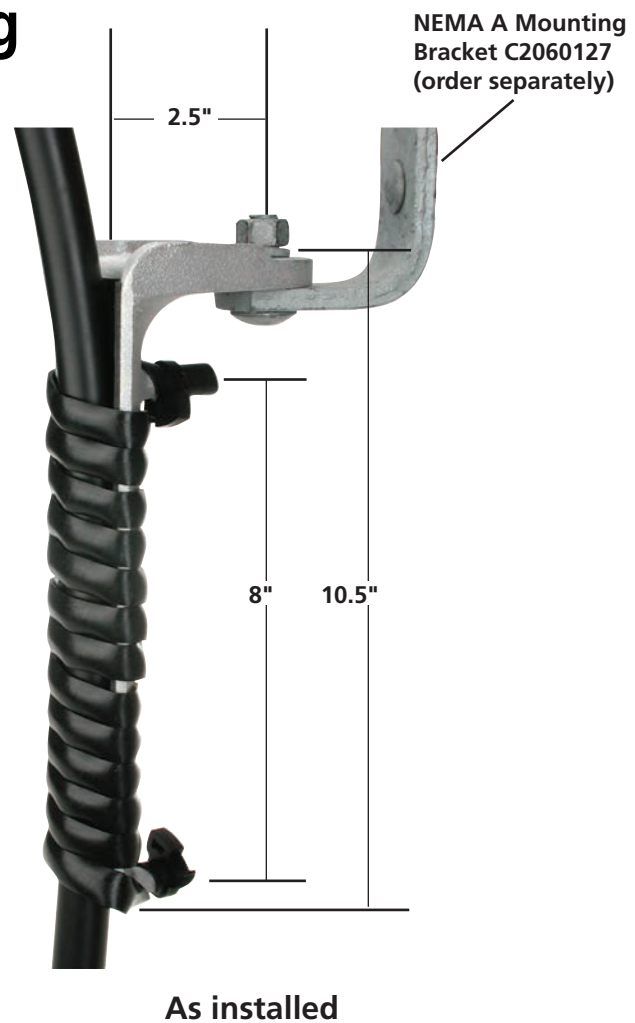
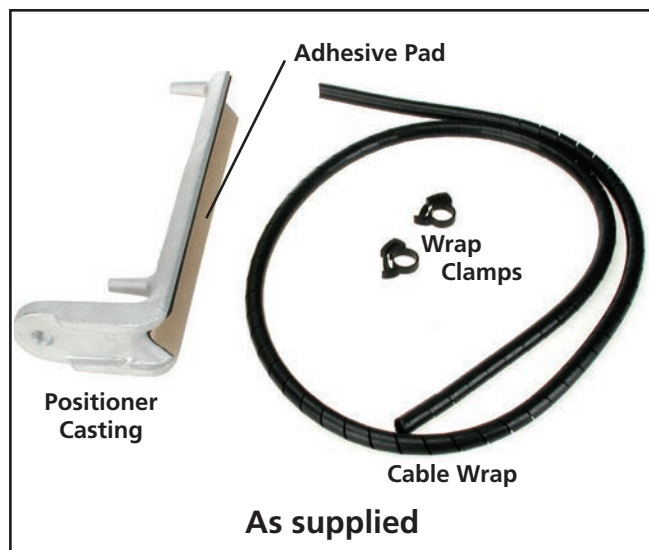


## Bracket, Cable Positioning For Riser Cable

### Catalog No. CCS820 for 0.75" to 3" O.D. Cable

This easy-to-install kit supports conductor at the transition from overhead to underground service. The Cable Positioner simply attaches to a suitable bracket with 1/2" mounting hardware (not included).

Each unit includes illustrated instructions and comes in a plastic bag. Packaged 36 per box, each unit weighs 1 lb. (0.45 kg.).

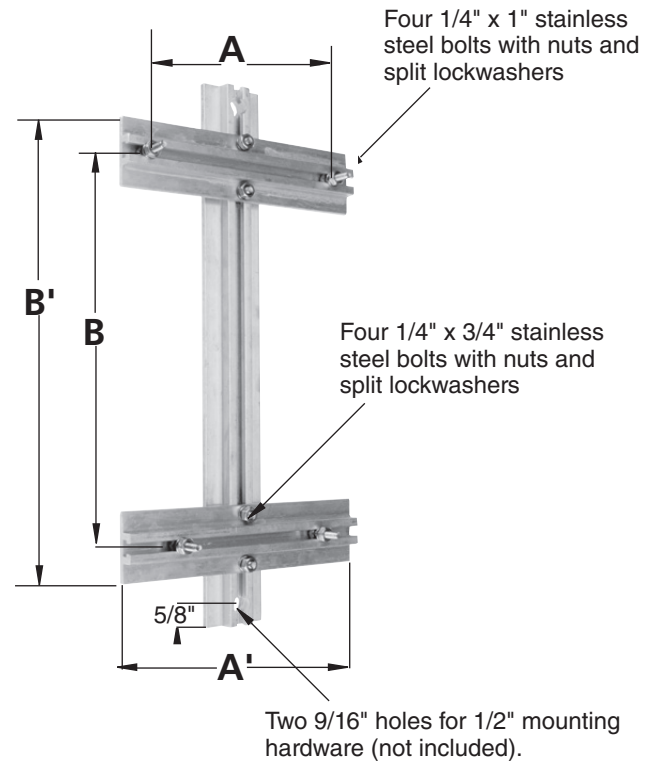




# Brackets, Cabinet Mounting

## Aluminum — T-Slot Shapes

- For mounting meter cabinets, meter sockets or other light-duty enclosures, with a maximum weight not to exceed 500 pounds.
- Installs to pole or wall with two 1/2" fasteners, not included.
- Adjust for various hole patterns. See ordering information for ranges.
- Consists of one vertical support, two horizontal supports and stainless steel mounting hardware.
- Shipped unassembled



### ORDERING INFORMATION

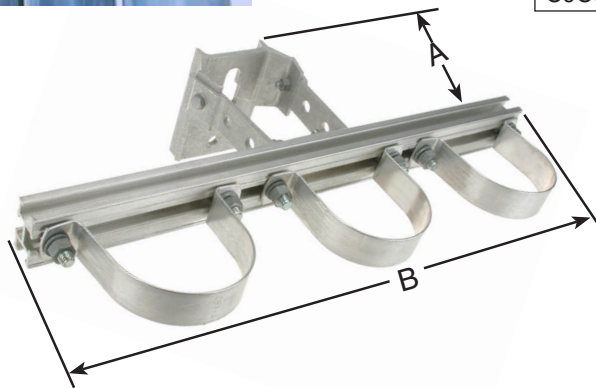
Catalog Number	Mounting Range		A'	B'	Wt. Ea. (per lbs.)
	A	B			
CCMB812	1" - 7 <sup>1</sup> / <sub>4</sub> "	2" - 12"	8"	16 <sup>3</sup> / <sub>8</sub> "	2.25
CCMB1218	1" - 11 <sup>1</sup> / <sub>4</sub> "	2" - 18"	12"	22 <sup>3</sup> / <sub>8</sub> "	3.00
CCMB1624	1" - 15 <sup>1</sup> / <sub>4</sub> "	2" - 24"	16"	28 <sup>3</sup> / <sub>8</sub> "	3.75
CCMB1830	1" - 17 <sup>1</sup> / <sub>4</sub> "	2" - 30"	18"	34 <sup>3</sup> / <sub>8</sub> "	4.25

## Brackets, Conduit Standoff



A multi-purpose bracket for mounting 1" through 6" conduit in a variety of ways. Bracket will mount up to four 6" conduits with unlimited adjustability. 4-Way T-Slot extrusion eliminates field drilling. Unit mounts to the pole on 3<sup>5</sup>/<sub>8</sub>" hole centers using 5<sup>5</sup>/<sub>8</sub>" thru-bolt and 1<sup>1</sup>/<sub>2</sub>" lag (not supplied). **Conduit straps are not included, order below.** Additional T-Slot Shapes are available on the following page.

Catalog Number	Dimensional Data		Weight each
	A	B	
C6CSO12	6"	12"	4 lb.
C6CSO24	6"	24"	5 lb.
C6CSO36	6"	36"	6 lb.
C9CSO12	9"	12"	4 lb.
C9CSO24	9"	24"	5 lb.
C9CSO36	9"	36"	6 lb.



4-Way T-Slot



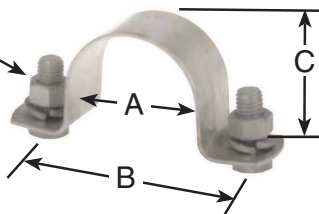
End View

Captures 1/2" bolt heads

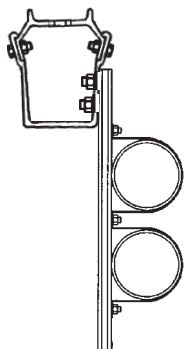
## Conduit Strap Kits

Strap kits with the following variations are available for use with the conduit standoff brackets above. Material size is 0.090" x 1.5". The straps have two holes for mounting one conduit section. Each strap kit contains a strap, two each 1/2" x 1 1/4" hex head bolts, lockwashers and hex nuts.

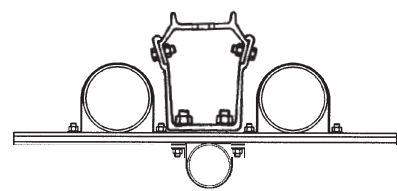
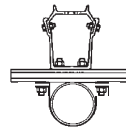
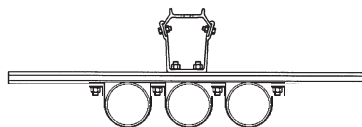
1/2" x 1 1/4"  
hex head bolt



Conduit Size	Catalog No.	"A" Dim.	"B" Dim.	"C" Dim.	Weight
1 inch	CSTK1	1 <sup>3</sup> / <sub>8</sub> "	3"	1 <sup>1</sup> / <sub>4</sub> "	0.3 lb.
1 1/2 inch	CSTK15	1 <sup>7</sup> / <sub>8</sub> "	3 <sup>1</sup> / <sub>2</sub> "	1 <sup>7</sup> / <sub>8</sub> "	0.4 lb.
2 inch	CSTK2	2 <sup>3</sup> / <sub>8</sub> "	3 <sup>15</sup> / <sub>16</sub> "	2 <sup>1</sup> / <sub>4</sub> "	0.5 lb.
2 1/2 inch	CSTK25	2 <sup>7</sup> / <sub>8</sub> "	4 <sup>7</sup> / <sub>16</sub> "	2 <sup>3</sup> / <sub>4</sub> "	0.6 lb.
3 inch	CSTK3	3 <sup>1</sup> / <sub>2</sub> "	5 <sup>1</sup> / <sub>16</sub> "	3 <sup>3</sup> / <sub>8</sub> "	0.6 lb.
3 1/2 inch	CSTK35	4"	5 <sup>9</sup> / <sub>16</sub> "	3 <sup>15</sup> / <sub>16</sub> "	0.6 lb.
4 inch	CSTK4	4 <sup>1</sup> / <sub>2</sub> "	6 <sup>1</sup> / <sub>16</sub> "	5 <sup>3</sup> / <sub>8</sub> "	0.6 lb.
5 inch	CSTK5	5 <sup>9</sup> / <sub>16</sub> "	7 <sup>1</sup> / <sub>8</sub> "	5 <sup>1</sup> / <sub>2</sub> "	0.7 lb.
6 inch	CSTK6	6 <sup>5</sup> / <sub>8</sub> "	8 <sup>3</sup> / <sub>8</sub> "	6 <sup>1</sup> / <sub>2</sub> "	0.7 lb.



### Typical Installations

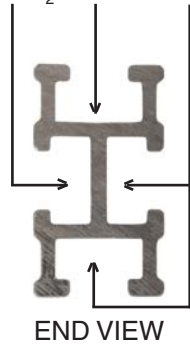


# T-Slot Shapes

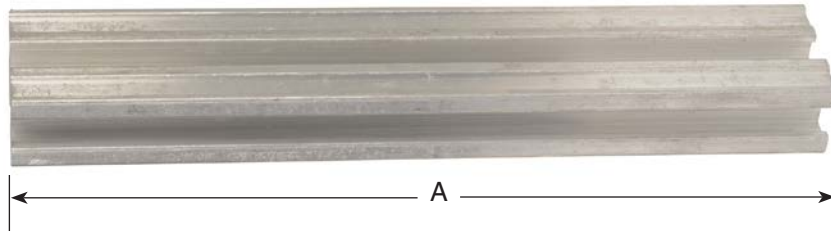
For versatile equipment mounting, these custom T-Slot shapes are extruded from high-strength, heat-treated 6061T6 aluminum alloy.

## 4-Way T-Slot

Captures the heads of  $\frac{1}{2}$ " dia. bolts



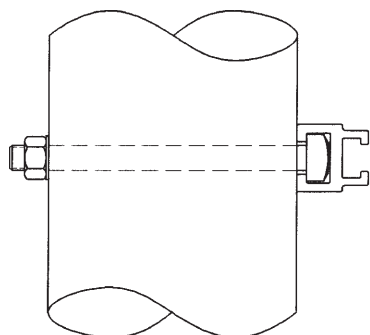
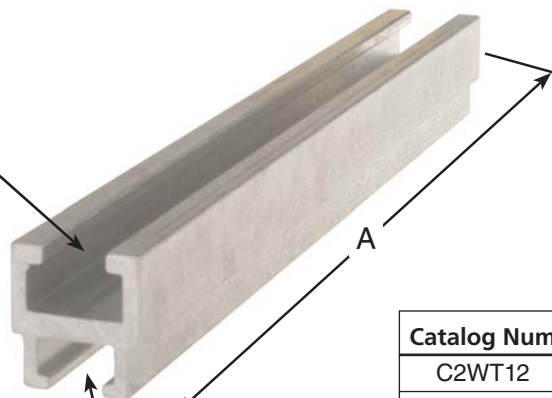
A multi-purpose extrusion for mounting equipment in four directions using  $\frac{1}{2}$ " diameter hardware.



Catalog Number	Dimension A	Weight each
C4WT12	12"	1.25 lb.
C4WT24	24"	2.25 lb.
C4WT36	36"	3.25 lb.
C4WT48	48"	4.50 lb.
C4WT60	60"	5.50 lb.
C4WT120	120"	11.00 lb.

## 2-Way T-Slot

Captures the heads of  $\frac{1}{2}$ " dia. bolts



Captures the heads of  $\frac{5}{8}$ " dia. bolts

Typical Pole Application

Catalog Number	Dimension A	Weight each
C2WT12	12"	1 lb.
C2WT24	24"	2 lb.
C2WT36	36"	3 lb.
C2WT48	48"	4 lb.
C2WT60	60"	5 lb.
C2WT120	120"	10 lb.

NOTE: Both the extrusions can be used for thru-bolt mounting of equipment to poles, structures, walls, enclosures, machinery, etc.

Other lengths are available by special order. Contact the factory for details.

# Brackets, Current Transformer Mounting

Brackets for securing current and potential transformers to pole or wall for primary metering applications

• **Lightweight aluminum construction**

**Features**

- 1/4" aluminum construction
- Pre-drilled hole patterns (see details)
- Keyhole mounting hole aids installation
- Mounts with 1/2" bolts

**Material**

- Aluminum 6061-T6

Catalog Number	Description	Mounting Hole spacing "A"	Overall Length "B"	Approx. ship Wt. Per Each
CCTM1	Single Position	12"	13 9/16"	0.95 lbs.
CCTM2	Two Position	20 3/16"	21 5/8"	1.40 lbs.
CCTM3	Three Position	27 1/8"	28 9/16"	2.40 lbs.
CCTM4	Four Position	33 3/4"	35 1/2"	2.90 lbs.



CCTM1



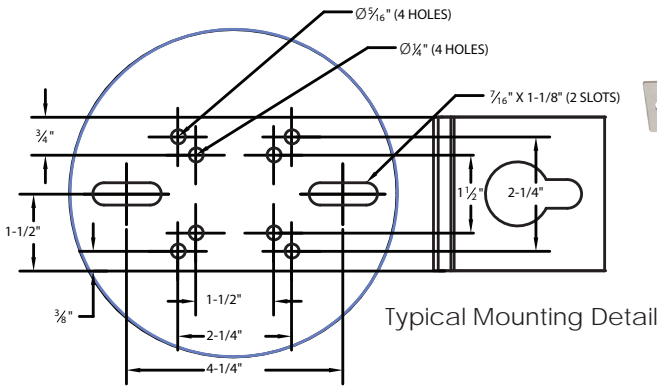
CCTM2



CCTM3

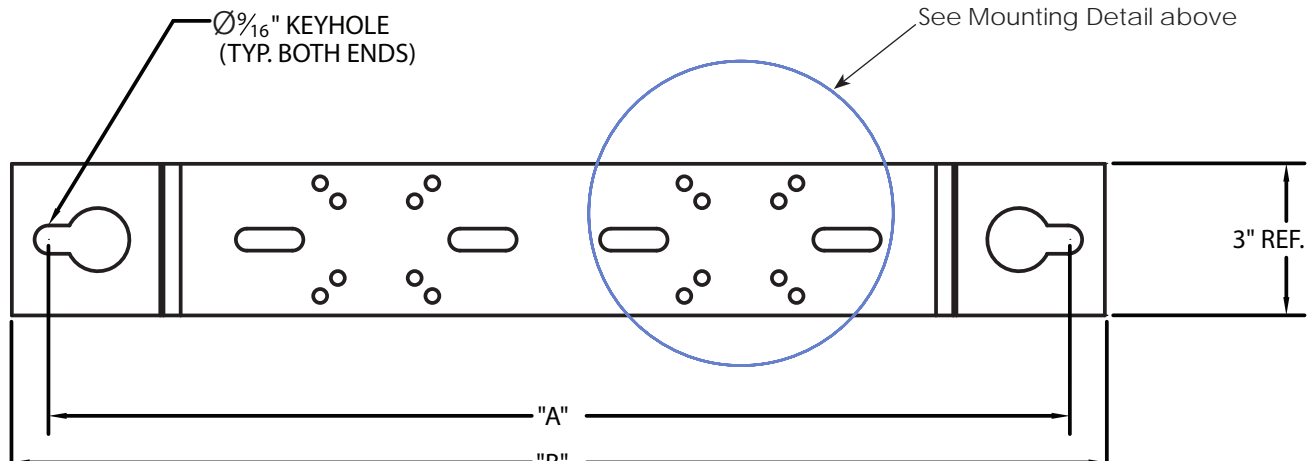


CCTM4



Typical Mounting Detail

**Example shown below: Two Position Bracket CCTM2**



# Brackets, Equipment, Apitong Type

For three-phase mounting of cutouts, arresters, cable terminators

- Dense-fiber Apitong wood from sustainably-managed forest
- Pressure-treated preservative for protection against decay, fungi and insects

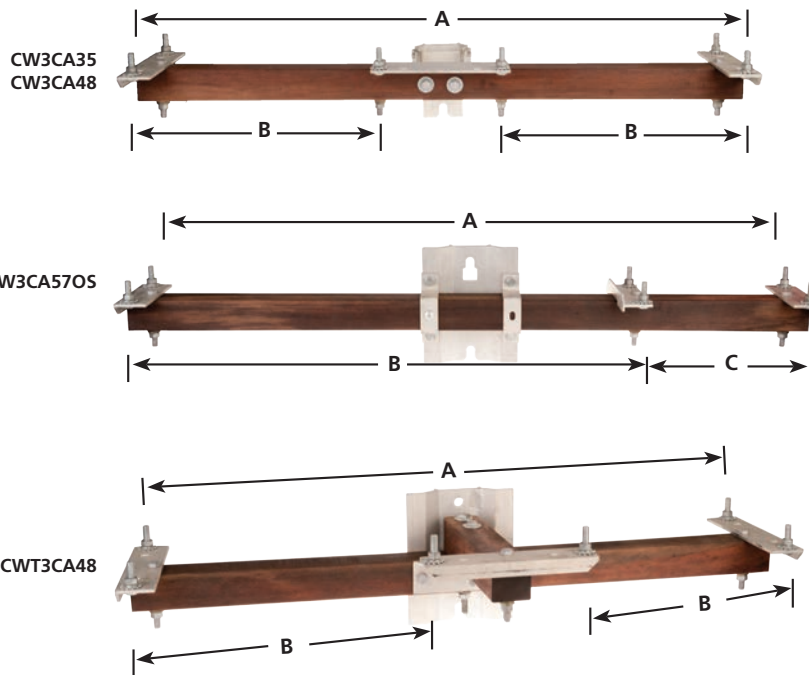


## Features

- Shipped preassembled
- Includes all equipment mounting hardware (pole through-bolts must be ordered separately)
- Lightweight and corrosion resistant

## Material

- Support arms – Apitong wood
- Fittings – Aluminum 6061-T6
- Fasteners – Galvanized Steel



Catalog No.	Spacing End-to-End A	Position Spacing B	Position Spacing C	Approx. Ship Wt. per Each
CW3CA35	35"	12½"	N/A	16.95 lbs.
CW3CA48	48"	24"		21.0 lbs.
CW3CA57OS	55"	41½"	13½"	19.5 lbs.
CWT3CA48	46⅝"	18⅜"	N/A	24.0 lbs.

## Brackets, Equipment, Banded Pole Mounting For cluster mounting of cutouts, arresters and potheads on round poles

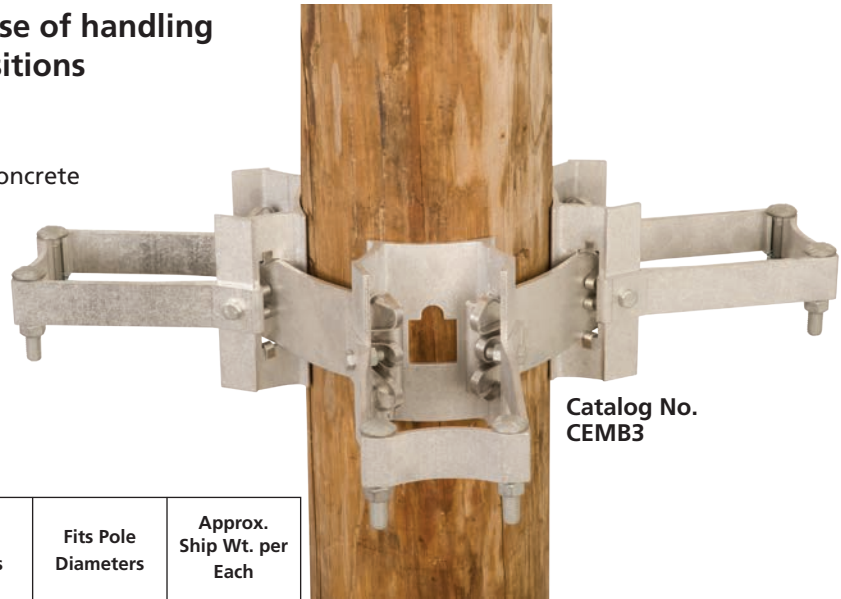
- Aluminum construction for ease of handling
- Two, four or six mounting positions

### Features

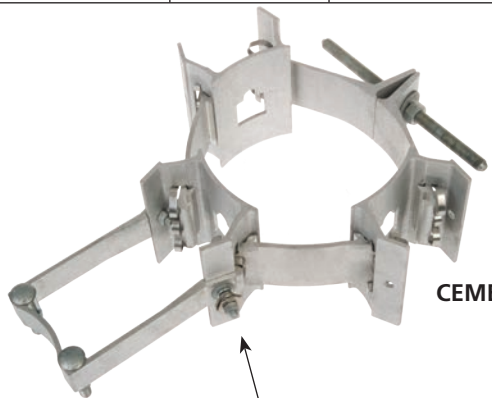
- Suitable for wood, metal, fiberglass or concrete round shaped poles
- For 7¾" to 12¼" diameter poles
- Grounding lug included

### Material

- Bracket - Aluminum 6061-T6
- Fasteners - Galvanized steel
- Ground Lug - Stainless steel



Catalog Number	Equipment Mounting Positions	Rating per Position Simultaneous Loaded	Fits Pole Diameters	Approx. Ship Wt. per Each
CEMB1	1	600 lbs.	7¾" to 12¼"	11.00
CEMB2	2			13.00
CEMB3	3			14.00



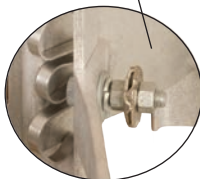
CEMB1



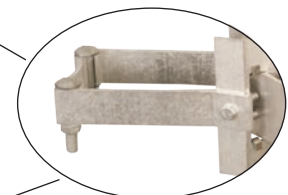
CEMB2



CEMB3



Ground Lug



Equipment Mounting Position

# Brackets, Equipment, Bolted Pole Mounting

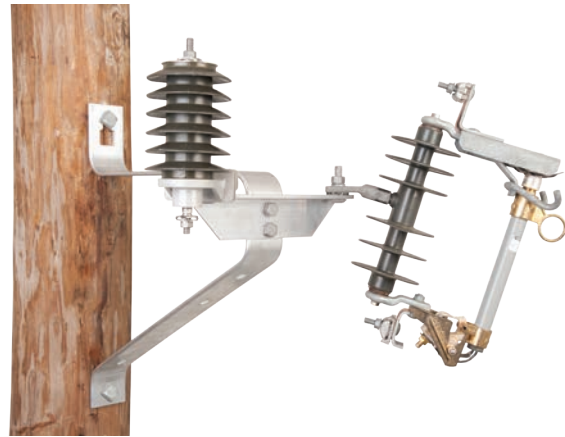
## For bolted pole mounting of cutouts, arresters or potheads

### Features

- Brackets mount to pole with two 5/8" through bolts
- Each bracket rated for 500lbs. loading
- C1PB bracket can be added to any model for additional options

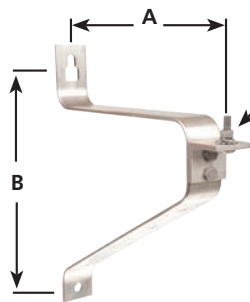
### Material

- Bracket - Aluminum 6061-T6
- Fasteners - Galvanized Steel



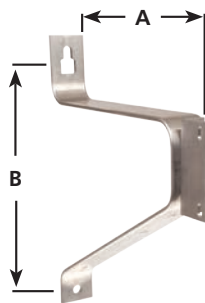
Catalog No.	Type	Pole Offset - A	Mounting Bolt Spacing - B	Equipment Bolt Spacing C	Approx. Ship Wt. per Each
C1HCAC	Single Mounting	13 <sup>3</sup> / <sub>8</sub> "	15 <sup>3</sup> / <sub>16</sub> "	N/A	2.95 lbs.
C1HCAC18		18"	18"	N/A	4.85 lbs.
C1HCA2C	Single L Bracket Mounting	14 <sup>3</sup> / <sub>8</sub> "	15 <sup>3</sup> / <sub>16</sub> "	4 <sup>1</sup> / <sub>4</sub> "	2.15 lbs.
C1HCA2C18		18"	18"	4 <sup>1</sup> / <sub>4</sub> "	4.10 lbs.
C1HCA	Dual Mounting	12 <sup>3</sup> / <sub>8</sub> "	15 <sup>3</sup> / <sub>16</sub> "	6"	2.40 lbs.
C1HCA18		17"	18"	10"	4.30 lbs.
C1PB	Offset Extension Bracket	6 <sup>1</sup> / <sub>2</sub> "	18 <sup>7</sup> / <sub>8</sub> "	N/A	2.95 lbs.

Add 1PB suffix to catalog number to order C1PB bracket extension assembled to desired unit.

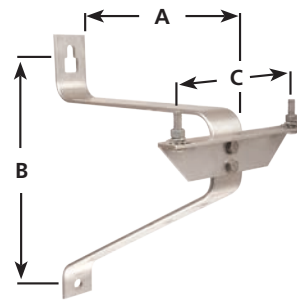


C1HCAC Model

Captive Mounting Hardware consists of one 1/2" x 2" carriage bolt, split lockwasher, external toothed lockwasher and hex nut

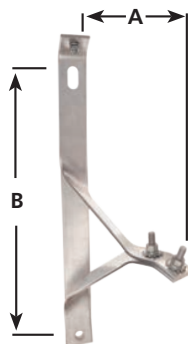


C1HCA2C Models



C1HCA Models

Captive Mounting Hardware consists of two 1/2" x 2" carriage bolts, split lockwashers, external toothed lockwashers and hex nuts



C1PB Offset Extension Bracket



C1PB installed on C1HCAC

## Bracket, Equipment, Curved Type

For three phase pole mounting of cutouts, arresters or cable terminators

### Key Points

- Compact Curved Design
- Lightweight Aluminum Construction

### Features

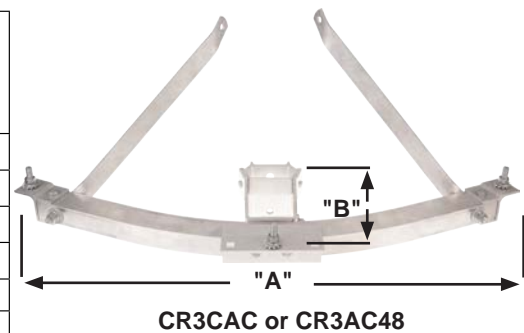
- Shipped pre-assembled
- Braces provide extra rigidity for operating cutouts
- Stainless steel ground lug on each unit

### Material

- Bracket - Aluminum 6061-T6
- Fasteners - Galvanized steel
- Ground lug - Stainless steel

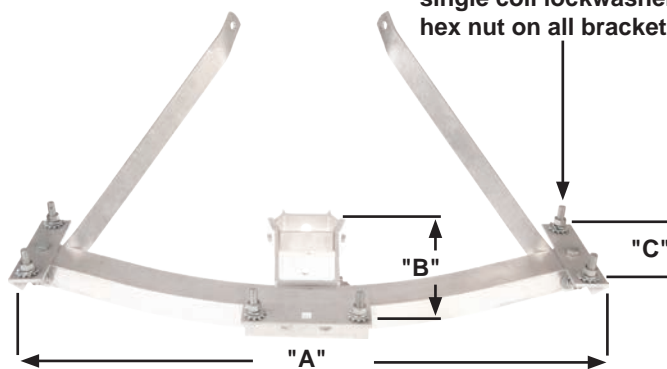


Catalog Number	Equipment Mounting Fittings	Width "A"	Center Pole Offset "B"	Equipment bolt spacing "C"	Approx. Ship Wt. Each
CR3CAC	1 Bolt Horizontal	38 5/8"	12 7/8"	N/A	13 lbs.
CR3CAC48		52 1/4"			15 lbs.
CR3CA	2 Bolt Horizontal	34 1/2"	12 3/4"	6"	14 lbs.
CR3CA48		48"	15"	10"	18 lbs.
CR3CA2C	2 Bolt Vertical	36 3/16"	11 5/16"	4 7/16" to 5 3/16"	13 lbs.
CR3CA2C48		49 3/16"			17 lbs.

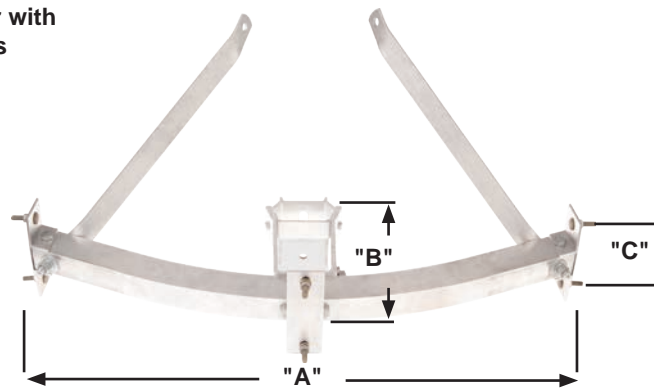


- Mounts to pole with one 5/8" machine bolt and one 1/2" lag screw in base. Two 1/2" lag screws in braces. All fasteners purchased separately.
- Mounting hole spacing of pole base is 3 5/8"
- Installed height (brace hole to bottom of curved horizontal member) is approximately 17"
- To order brackets without braces add the suffix "LB" to catalog number

**1/2" x 2" captive carriage bolt with tooth lockwasher and single coil lockwasher with hex nut on all brackets**



**CR3CA OR CR3CA48**



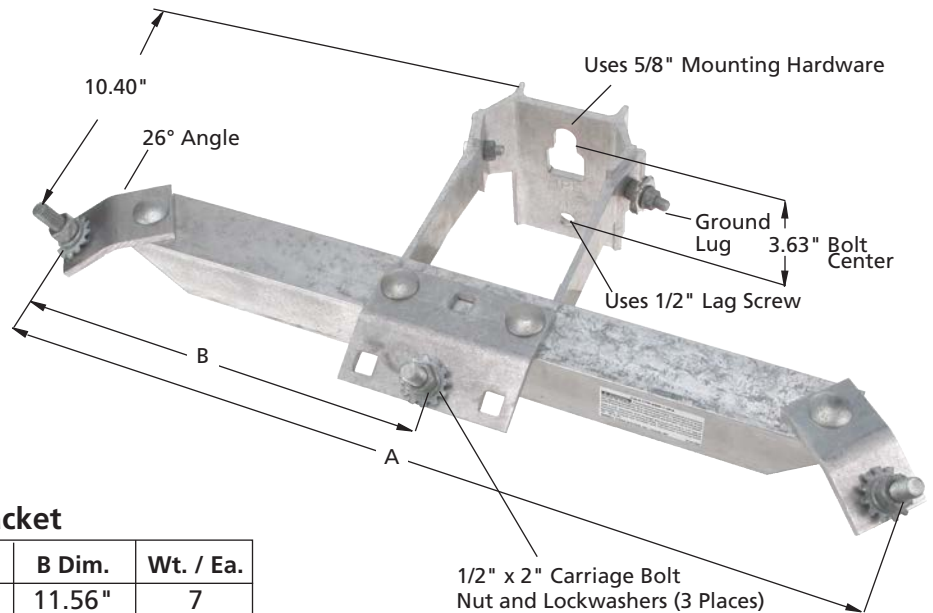
**CR3CA2C or CR3CA2C48**



# Bracket, Equipment, Straight Type

For three phase pole mounting of cutouts, arresters or cable terminators

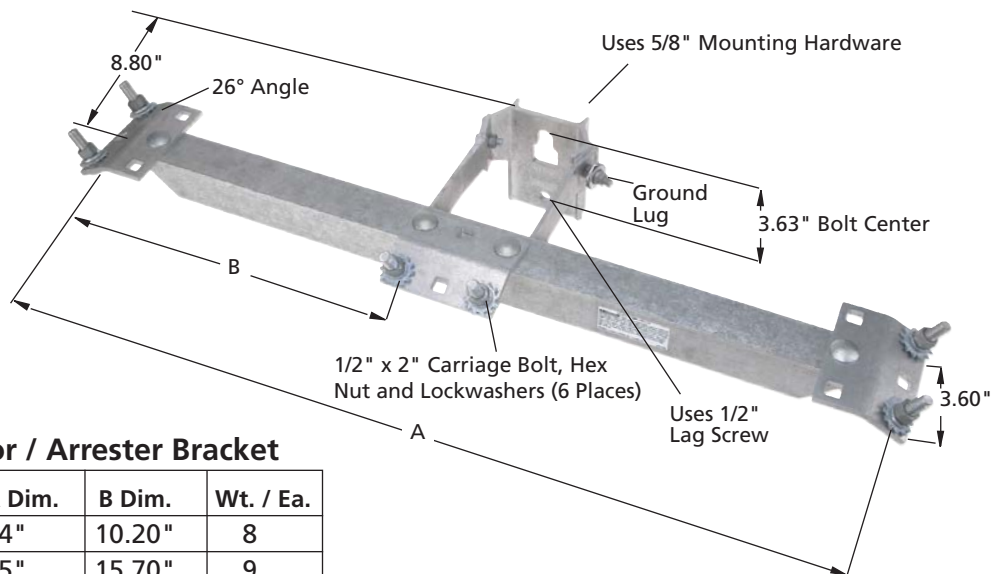
Extruded aluminum material offers lightweight for easy handling. Mounts to pole with 5/8" thru-bolt and 1/2" lag screw. Shipped completely assembled. Mounting hardware is purchased separately.



## Three Phase Terminator Bracket

Catalog No.	A Dim.	B Dim.	Wt. / Ea.
CTBEMB13PA	23.25"	11.56"	7
CTBEMB13PA35	33.50"	16.70"	8

Components can be ordered separately. See following page.



## Three Phase Terminator / Arrester Bracket

Catalog No.	A Dim.	B Dim.	Wt. / Ea.
CTBEMB16PA	24"	10.20"	8
CTBEMB16PA35	35"	15.70"	9

Components can be ordered separately. See following page.

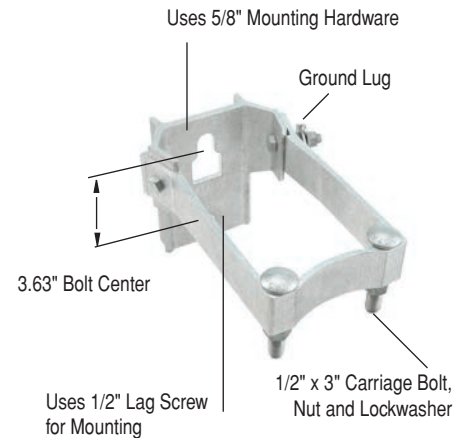
## Bracket, Equipment, Straight Type

For three phase pole mounting of arresters or cable terminators

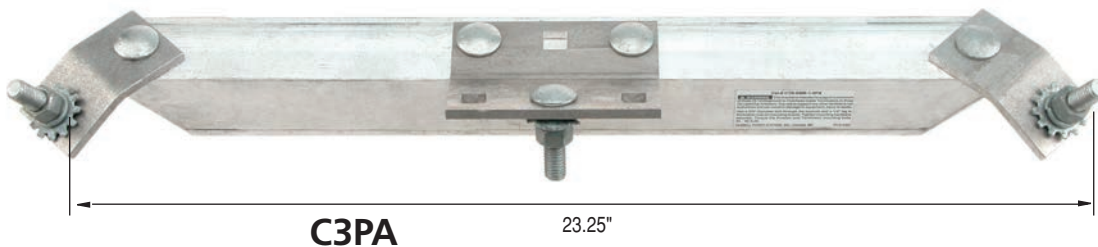
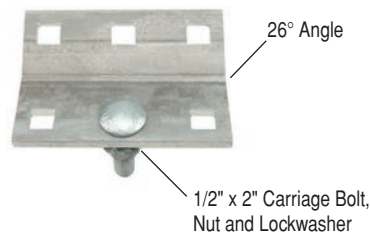
### Components for Terminator / Arrester Brackets (From Previous Page)

Catalog No.	Description	Wt. Ea.
CTBEMB1	Pole Mounting Bracket for Item Below	3
C1PA	Single Phase Terminator Bracket	1
C2PA	Three Phase Terminator/Arrester Bracket	1.5
C3PA	Single Phase Terminator Bracket	4
C6PA	Three Phase terminator Bracket	5

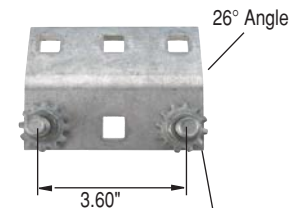
### CTBEMB1



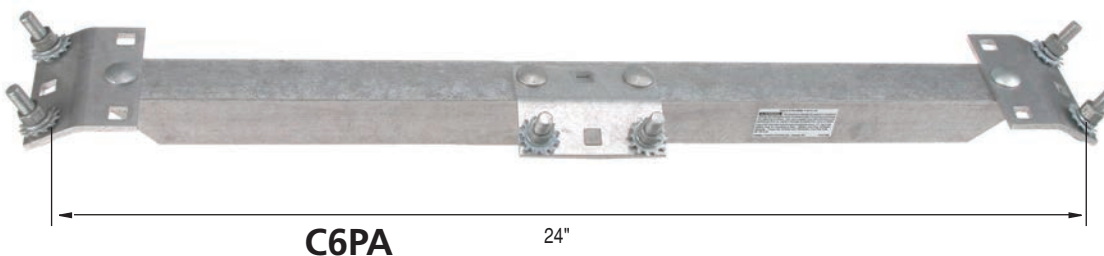
### C1PA



### C2PA



1/2" x 2" Carriage Bolt, Nut and Lockwashers (2 Places)



# Bracket, Heavy Duty Equipment, Curved Type For three-phase pole mounting of single-phase disconnect switches with arresters

## Key Points

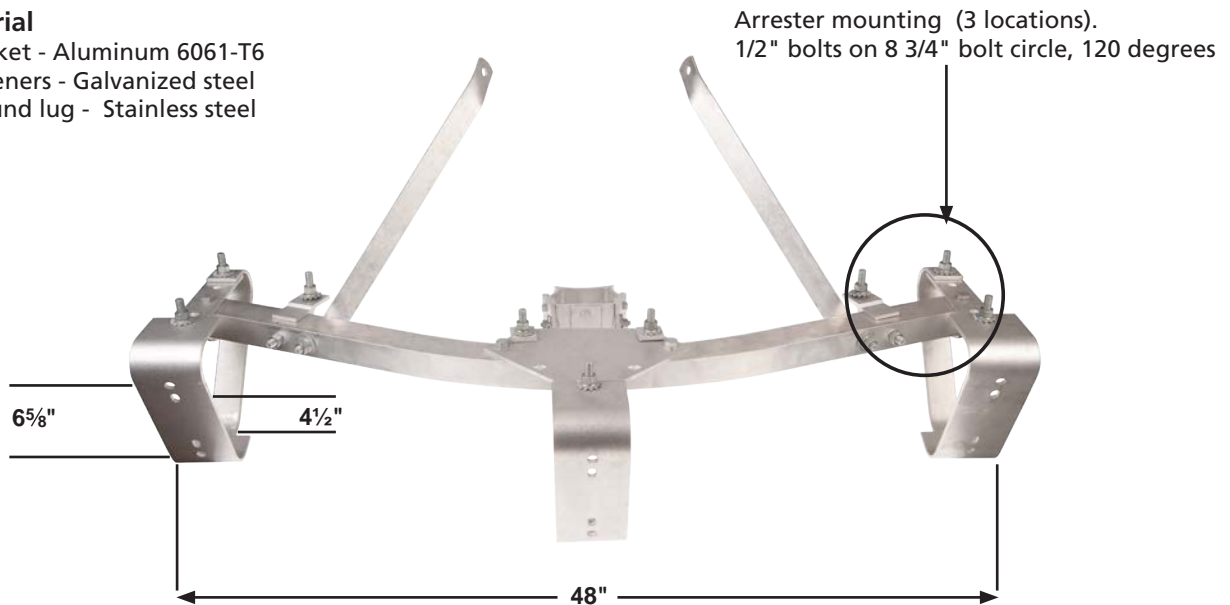
- Compact Curved Design
- Lightweight Aluminum Construction

## Features

- Shipped pre-assembled
- Braces provide extra rigidity for operating disconnect switches
- Stainless steel ground lug (2 each)
- Front switch mounts may be field adjusted for 90 or 20 degree vertical orientation

## Material

- Bracket - Aluminum 6061-T6
- Fasteners - Galvanized steel
- Ground lug - Stainless steel



- Mounts to pole with two 5/8" machine bolts in base and two 1/2" lag screws in braces.  
All fasteners purchased separately.
- Mounting hole spacing of pole base is 7 1/8".
- Installed width (brace hole to face of middle vertical mounting position) is approximately 23 1/2".

Catalog Number	Width	Approx. Ship Wt. Each
CR3CSA48	48"	31 lbs.

## Brackets, Primary Meter

Bracket for securing current and potential transformers to pole for primary metering applications

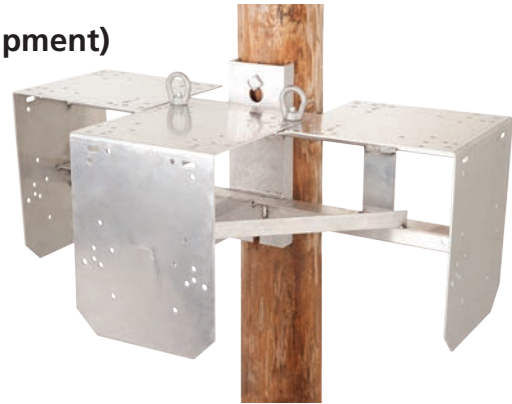
- Lightweight aluminum construction
- Pre-drilled or can be field drilled
- 1, 2 or 3 mounting positions (2, 4 or 6 pieces of equipment)
- Regular duty or heavy duty

### Features

- Pre-assembled units for easy installation
- Equipment can be assembled on the ground or off site
- Eyenuts for lifting

### Material

- Aluminum 6061-T6



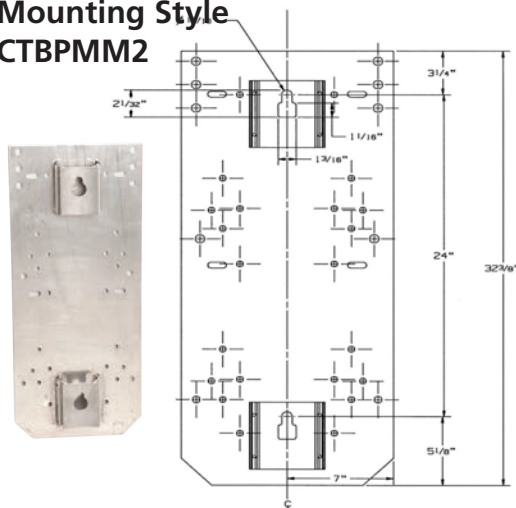
Catalog Number	Description	Pieces of Equipment	Mounting Style	Catalog Page	Approx. Ship Wt. Each
CTBPMM2	1 Position Bracket, Regular Duty Bracket	2	Bolted	5D-1.4	9.8 lb.
CBPMM2K	1 Position Bracket, Regular Duty Bracket	2	Banded	5D-1.4	16.6 lb.
CPMM4	2 Position Bracket, Regular Duty Bracket	4	Bolted	5D-1.5	29.7 lb.
CPMM6	3 Position Bracket, Regular Duty Bracket	6	Bolted	5D-1.5	45.8 lb.
CHDPMM4	2 Position, Heavy Duty Bracket	4	Bolted	5D-1.6	186.5 lb.
CHDPMM6	3 Position, Heavy Duty Bracket	6	Bolted	5D-1.7	261.5 lb.

### 1 Position Regular Duty Brackets

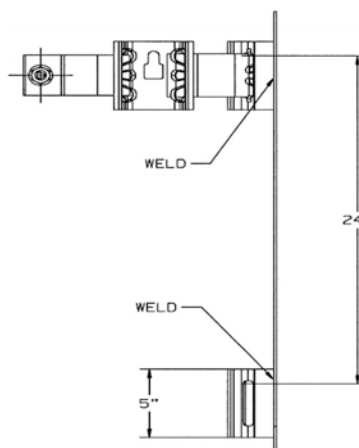
Front View



#### Through-Bolt Mounting Style CTBPMM2



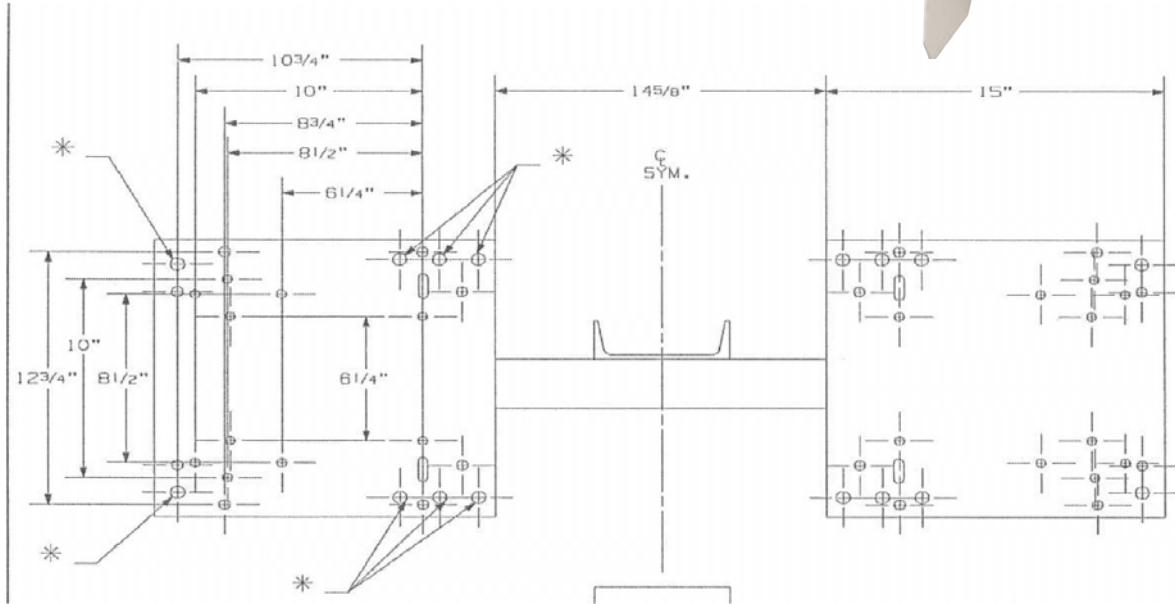
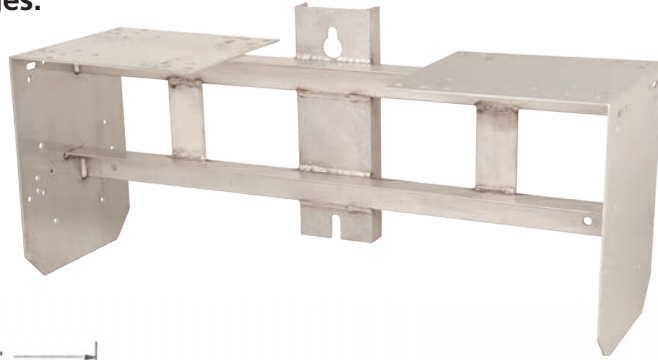
#### Banded Mounting Style CBPMM2K



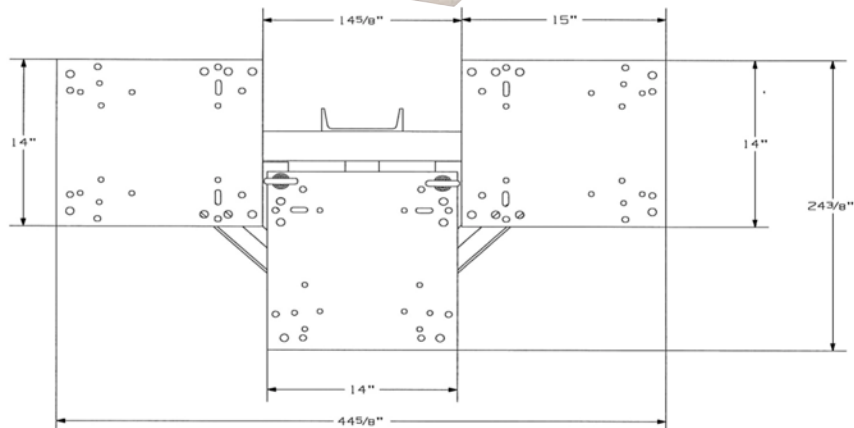
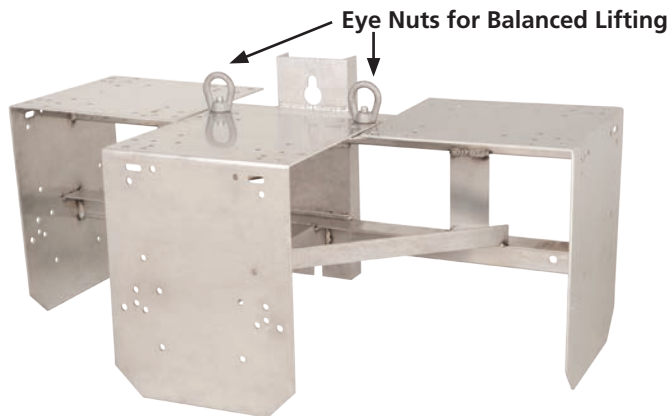
# Brackets, Primary Meter

Continued on next two pages.

## 2 Position Regular Duty Bracket CPMM4



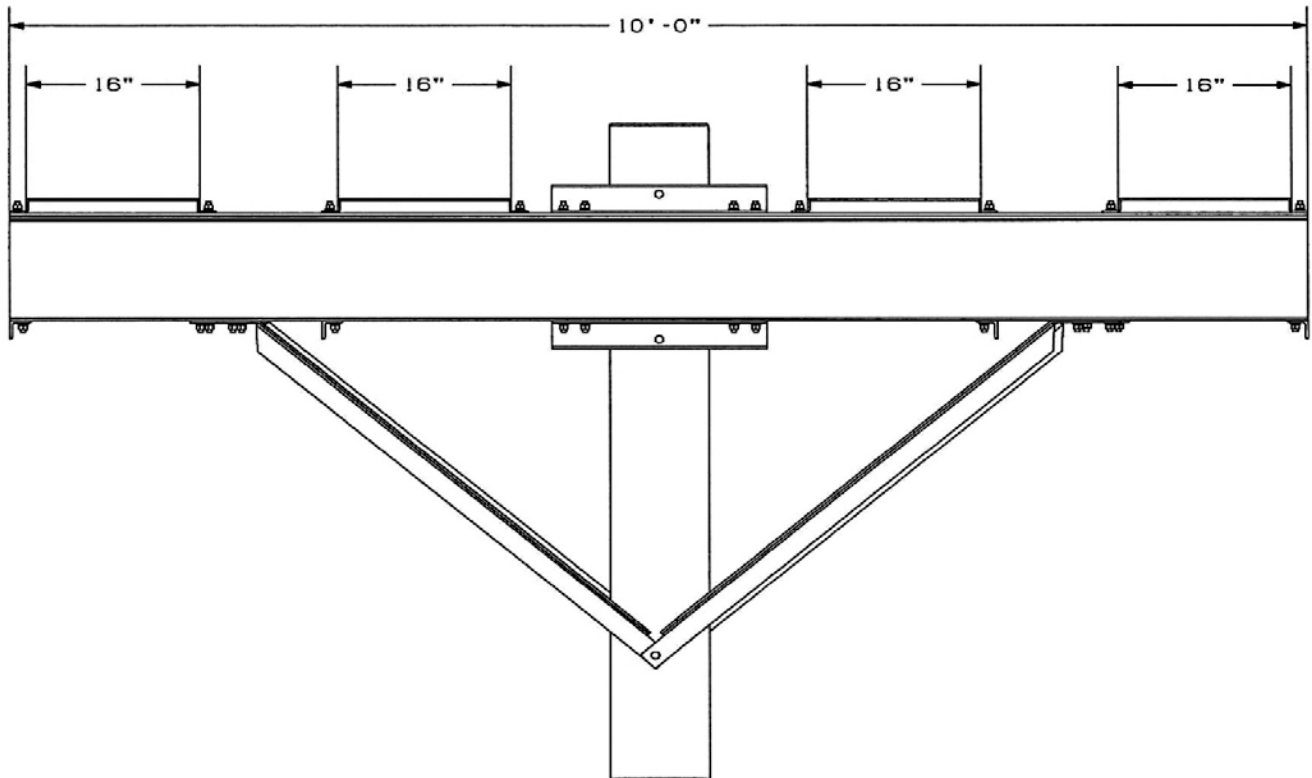
## 3 Position Regular Duty Bracket CPMM6



# Brackets, Primary Meter

See previous page and following page.

## 2 Position Heavy Duty Bracket CHDPMM4

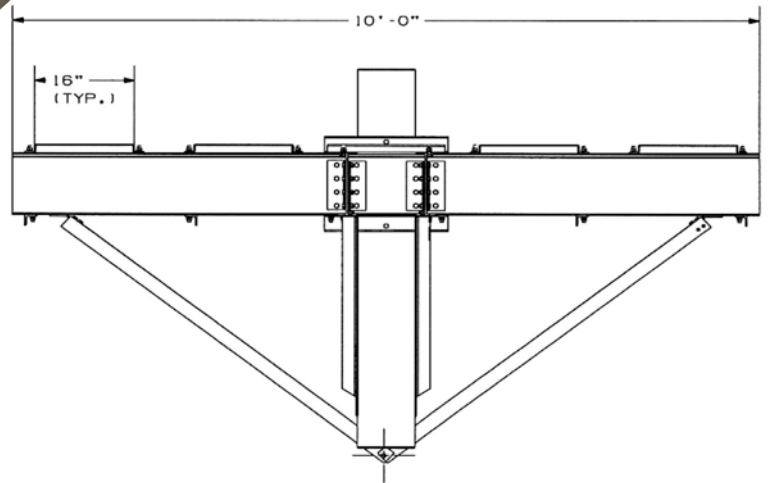
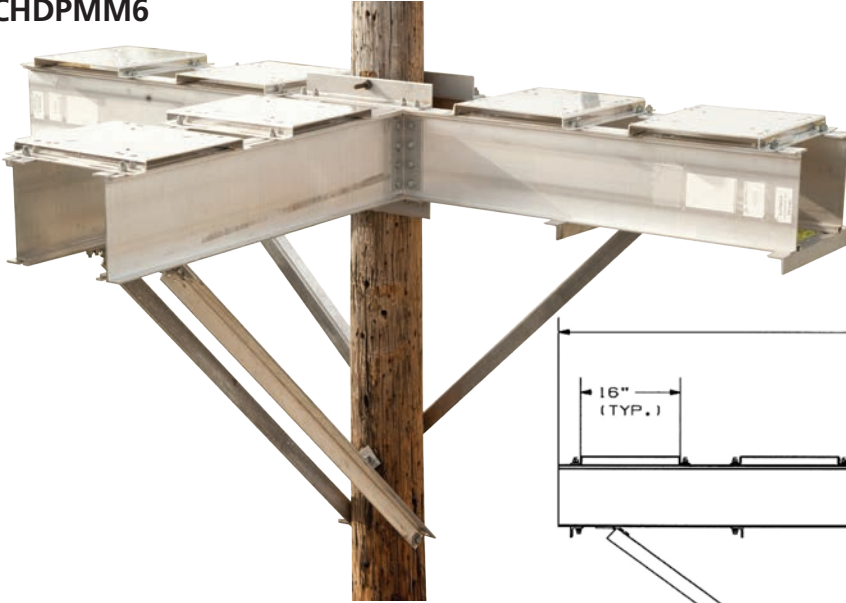


# Brackets, Primary Meter

See previous two pages.

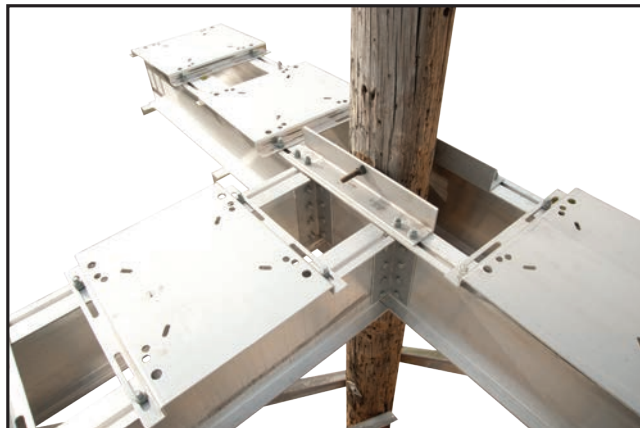
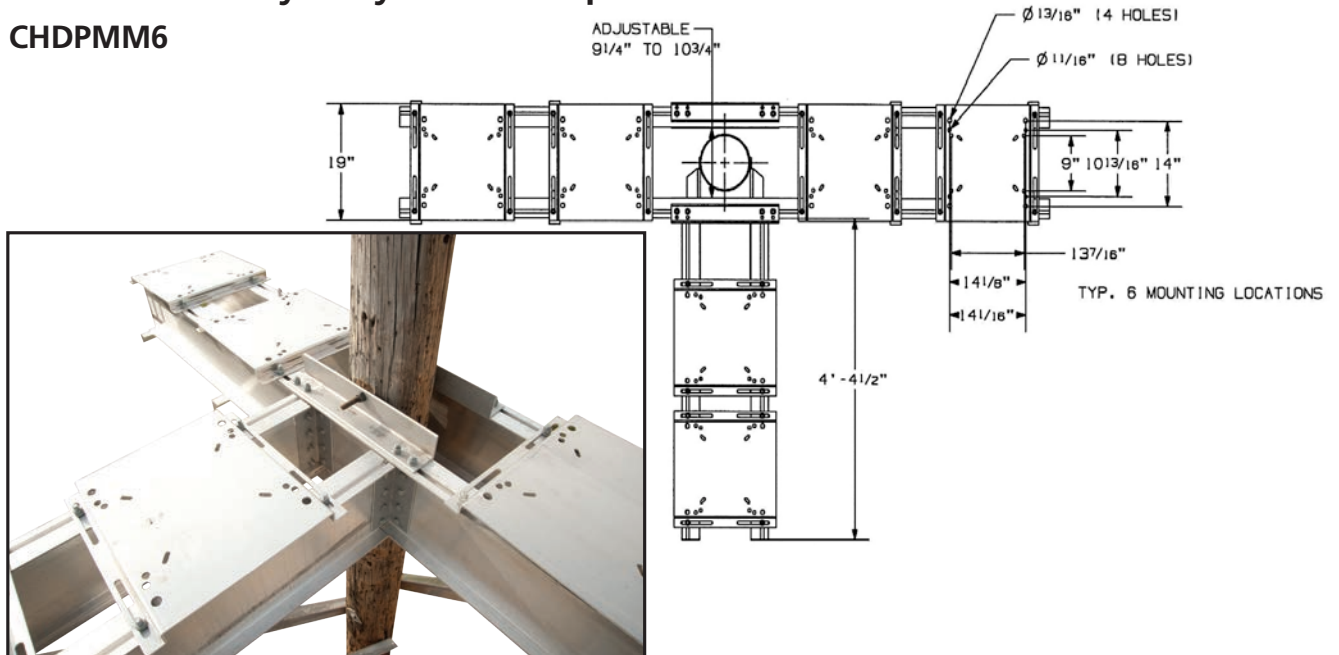
## 3 Position Heavy Duty Bracket

CHDPMM6



## 3 Position Heavy Duty Bracket Top Detail

CHDPMM6



## Brackets, Recloser

### For cluster mounting recloser banks on utility distribution poles

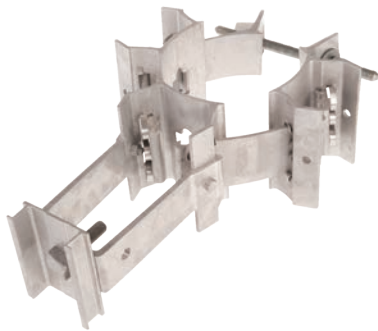
- Aluminum lightweight construction
- Available for mounting 1, 2 or 3 reclosers
- Banded units for where through-bolt holes are not possible

#### Features

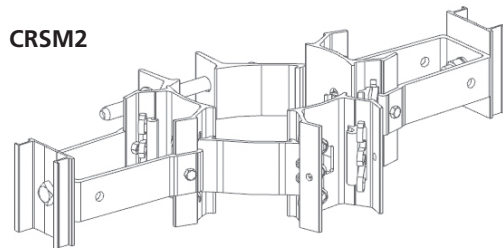
- Banded style fits pole diameters from 7 3/4" to 12 1/4"
- C3SPR66 bracket includes arrester mounting provisions
- Compact circular arrangement of banded style offers 9" extension from pole face

#### Material

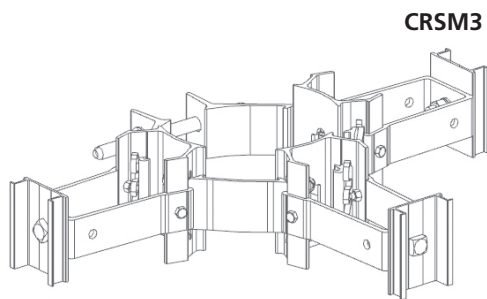
- Bracket - Aluminum 6061-T6
- Fasteners - Galvanized steel



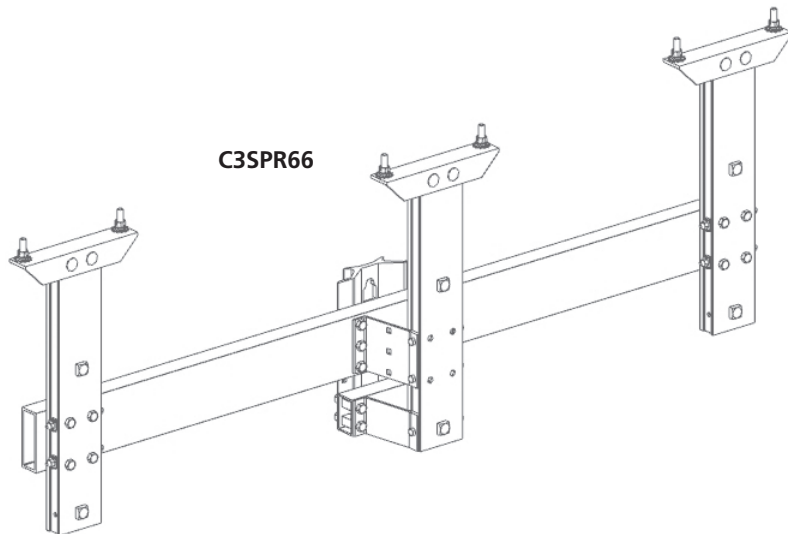
CRSM1



CRSM2



CRSM3



C3SPR66

Catalog No.	Positions	Mounting Type	Approx. Ship Weight, Each
CRSM1	1	Banded	10 lbs.
CRSM2	2		12 lbs.
CRSM3	3		15 lbs.
C3SPR66		Bolted	48 lbs.



# Brackets, Transformer, Banded Type

Alumium Construction

Continued on next page.....

**IMPORTANT!**

The following condensed instructions are provided for general information and to aid the buyer in product selection. They are not to be used in actual product installation. Complete installation instructions and safety information are provided with each Cluster Mount unit.

**Quick Installation**

One worker can install the mount in minutes. Typically less than five minutes including transformer.

**Rugged**

6061T6 aluminum alloy is extruded for high strength. Corrosion resistant.

**Convenient**

Factory preassembled and boxed. Easy to store.

**Installation**



1. Remove from box. Hardware included with the mount.



2. Using the tape provided, measure pole at the desired mounting height. Cluster mount will adjust to a wide variety of poles. Adjustment can be made at the ground.



3. Use a lag screw installed into the pole to locate where you want the cluster mount positioned. The lag screw is used for positioning only and not to bear the load.

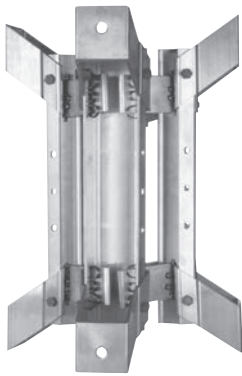


4. Tighten double-arming bolts. Mount transformers.

## Models to mount one, two, or three transformers

### • Double-band mounts for 3kVA - 100kVA transformers

For 3 through 100kVA transformers, use double band cluster mounts. Use any combination of 12" or 24" EEI-NEMA type A and B lugs as required. If adapters (page 5B-4) are used with the mounts, 167 through 250kVA transformers with EEI-NEMA type C lugs can be mounted.



Mounts Three Transformers		
Model	From pole	Wt. (lb./kg.)
C15M36*	6"	40/18.14
C15M39	9"	54.2/24.58
C15M3969	9"-6"-9"	50/22.67

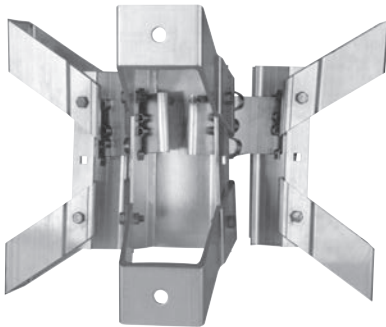
Mounts Two Transformers		
Model	From pole	Wt. (lb./kg.)
C10M26	6"	38/17.24
C10M29	9"	52/23.59

Mounts One Transformer		
Model	From pole	Wt. (lb./kg.)
C5M16	6"	35.7/16.19
C5M19	9"	50/22.68

\* RUS Listed

### • Single-band mounts for 3kVA - 50kVA transformers

For 3kVA through 50kVA, single-band cluster mounts may be used with 12" EEI-NEMA type A lugs.



Mounts Three Transformers		
Model	From pole	Wt. (lb./kg.)
C6M36*	6"	24.6/11.15
C6M39	9"	29.4/13.33
C6M3969	9"-6"-9"	28/12.7

Mounts Two Transformers		
Model	From pole	Wt. (lb./kg.)
C4M26	6"	22/9.97
C4M29	9"	27/12.24

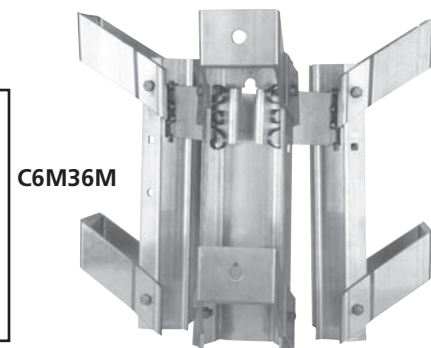
Mounts One Transformer		
Model	From pole	Wt. (lb./kg.)
C2M16M	6"	20/9.07
C2M19M	9"	25/11.33

\* RUS Listed

### For extra pole bearing surface

Use Model C6M36M when extra pole bearing surface is required.

Includes 5/8" transformer mounting hardware and ground clamp for mounting three 3kVA through 50kVA transformers with 12" EEI-NEMA type A lugs. Gives extra pole bearing surface for increased support on extremely soft or older poles. Ideal where appearance requires transformers to remain in a vertical position. Shipping weight: 31.3 lb. / 14.2 kg.

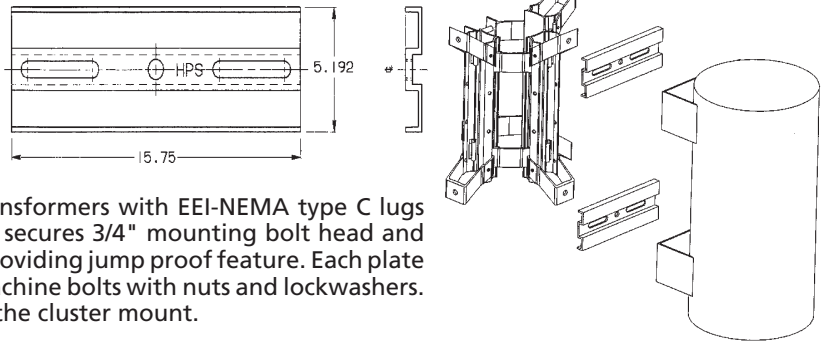


# Accessories

## Model C321A Adapter Plate

Shipping weight: 4.0 lb. (1.8 kg.)

Use when mounting 167kVA and larger transformers with EEI-NEMA type C lugs (two plates required per transformer). Slot secures 3/4" mounting bolt head and permits one-hand tightening of bolt while providing jump proof feature. Each plate includes two 5/8" x 2" hot-dip galvanized machine bolts with nuts and lockwashers. Other mounting hardware is included with the cluster mount.



## Model CEP18 Extension Plate

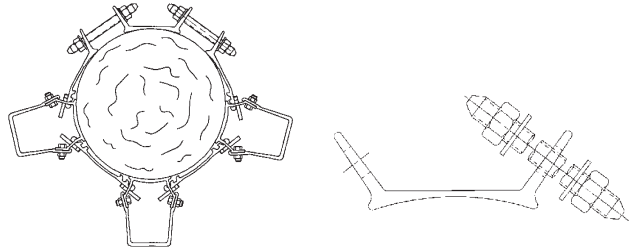
Shipping weight: 4.2 lb. (1.9 kg.)

One CEP18 extension plate required for each band.

Example:

C6M36 (single band) use one CEP18

C15M36 (double band) use two CEP18's



CEP18 Extension Plates can be used with any Hubbell aluminum band-type cluster mount to increase pole range. (see chart below). Extra bolts, nuts, and washers are provided.

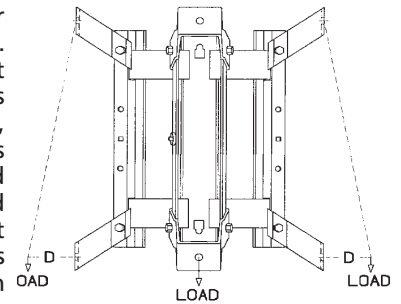
## Pole Sizes

Hubbell band type Cluster Mounts can be mounted on poles 6 1/2" to 19" in diameter.

Type	Pole Dia.	Cat. No.	Example	EP18 Will Increase Max. Dia. To
Small	6 1/2" - 11 1/2"	Add 5 to Standard Model No.	C6M365 C15M365	16 1/2"
Standard	7 3/4" - 12 1/4"	Standard Models	C6M36 C15M36	17 1/4"
Large	9 1/2" - 14 1/2"	Add 14 to Standard Model No.	C6M3614 C15M3614	19 1/2"

## Mount Loading

Cluster mounts are subjected to eccentric loading in service because transformer mounting brackets are located away from the lines of action of their gravity loads. Although the distance between the mounting face and the gravity load (the moment arm of the load) is often taken at 14", in reality it varies among the different models of transformer. By changing the bending moment associated with the vertical load, this variation may greatly affect the ability of the cluster mount to support the various transformers. Because the resisting stresses produced in the cluster mount are related to both the vertical load itself and to its associated moment, a single formula based on the moment arm will not satisfactorily predict safe loading. It is recommended that the moment arms be taken into account along with the weights of any transformers to be supported by cluster mounts. The table below shows minimum ultimate strength ratings of several Hubbell cluster mounts, suggested maximum transformer weights, and resultant safety factors for four selected values of moment arm. Trained personnel with adequate technical skills may find this information helpful in selecting an appropriate cluster mount to support a specific transformer.



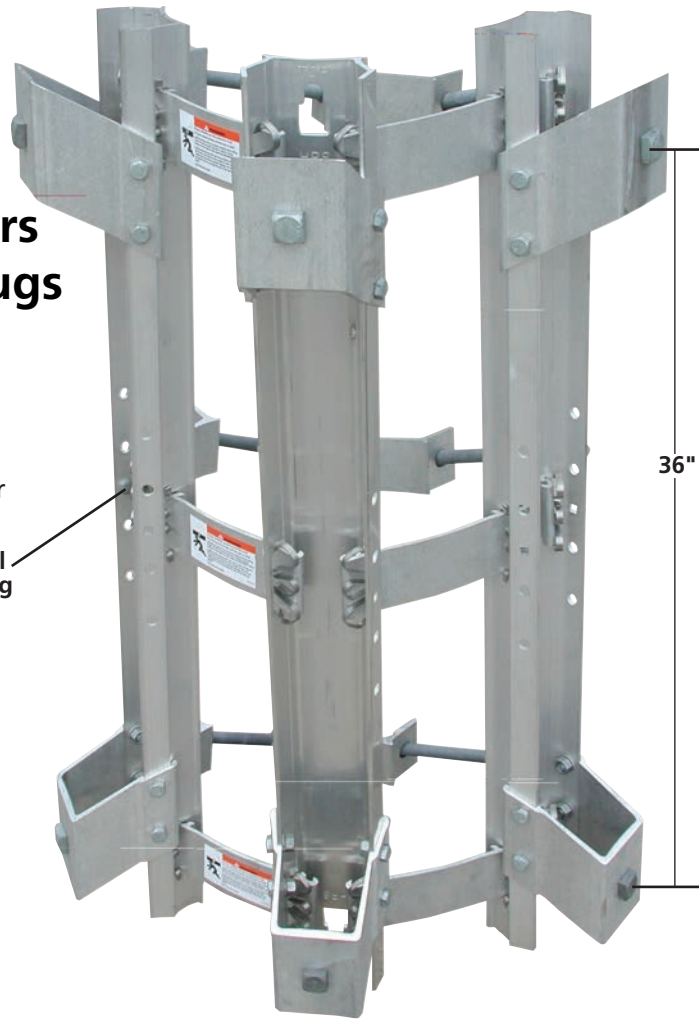
Catalog Number	Distance (D) from transformer mounting surface to load's line of action	Minimum Ultimate Strength (lbs.)	Maximum recommended Transformer load (lbs.) per position	Safety Factor
C5M19 C10M29 C15M39 C15M3969	14"	6,000	2500	2.4
	18"	3,900	1950	2
	22"	3,200	1600	2
	26"	2,800	1350	2.1
C2M16 C4M26 C6M36	14"	3,400	1275	2.7
	18"	2,400	1000	2.4
	22"	2,100	820	2.6
	26"	1,650	690	2.4
C5M16 C10M26 C15M36	14'	6,400	3200	2
	18"	5,000	2500	2
	22"	4,000	2000	2
	26"	3,450	1725	2

## Brackets, Transformer, Banded Type Jumbo Model

### for 3 to 500kVA Transformers with EEI-NEMA A, B or \*C lugs

- Three-band clusters mount up to three 500kVA transformers and regulators with EEI-NEMA \*C lugs (36" vertical spacing).
- Field adaptable for EEI-NEMA A or B lugs (12" or 24" vertical spacing).
- Mounts to poles with diameters from 9½" to 14½". Each unit includes three CEP18 extension plates (page 5B-4) to increase diameter by 5" (to 19½").
- To accommodate four-hole EEI-NEMA \*C lug mountings, C321A adapter plates can be purchased separately (page 5B-4).

Stainless Steel  
Grounding Lug



Catalog Number, Jumbo Mount	Distance from Pole to Mounting Pad	Weight, each Jumbo Mount	Distance from Mounting Pad to Center of Equipment			
			14"	18"	22"	26"
<b>Maximum Recommended Equipment Load per Phase</b>						
C15M361436	6"	77 lb./34.9 kg.	5,000 lb.	3,900 lb.	3,200 lb.	2,700 lb.
C15M391436	9"	80 lb./36.3 kg.	4,000 lb.	3,100 lb.	2,550 lb.	2,100 lb.

# Bracket, Transformer, Three Position - Wing Type

## For pole mounting a three-phase transformer bank

- Aluminum construction make these brackets strong but light in weight
- Bolt on design installs quickly
- Optional lifting eye accepts closed hook for lifting of installed transformers (units with "L" suffix)

**Features**

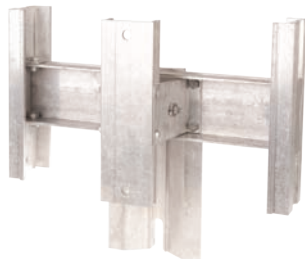
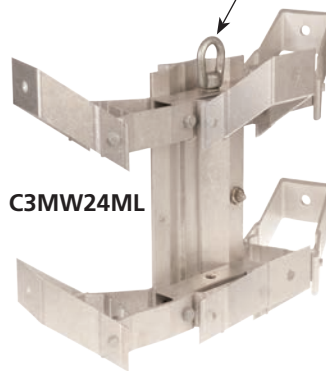
- Each unit has positions for 1, 2 or 3 transformers
- Fits NEMA A or B transformer lugs
- Supplied with universal fitting, high strength bolts for both NEMA A or B lug transformers
- Pre-assembled for easy installation
- Includes ground lug

**Material**

- Body - Aluminum 6061-T6
- Fasteners - Galvanized steel
- Ground lug - Stainless steel



Optional Lifting Eye



C3MW24

C3MW24ML

C11MW24L

Catalog Number	Transformer Lug Style	Spacing Between Outside Positions	Center Position Pole Offset	Pole Mounting Hole Spacing	Approximate Ship Weight, Each
C3MW24	NEMA A	24"	7 1/2"	12"	20 lbs.
C3MW24M		25"	9"	13"	20 lbs.
C3MW24ML				22.5 lbs.	
C11MW24	NEMA A or B	24"	8"	12" or 18"	34 lbs.
C11MW24L				35.5 lbs.	
C12MW24		30"	8"	15"	34 lbs.
C12MW30				36 lbs.	



C12MW24

The values below represent the maximum recommended equipment load per phase (simultaneous loading) for common distances from the mounting position face to the center of gravity of the equipment installed.

Catalog Number	14"	18"	22"	26"
C3MW24	625 lbs.	500 lbs.	410 lbs.	350 lbs.
C3MW24M	1,250 lbs.	1,000 lbs.	820 lbs.	700 lbs.
C3MW24ML				
C11MW24	2,500 lbs.	2,000 lbs.	1,640 lbs.	1,385 lbs.
C11MW24L				
C12MW24	2,500 lbs.	1,950 lbs.	1,600 lbs.	1,350 lbs.
C12MW30	2,000 lbs.	1,550 lbs.	1,275 lbs.	1,075 lbs.



C12MW30

## Bracket, Transformer, Dual Position, Bolted Pole Mounting

For pole mounting a two-phase transformer bank

- Aluminum construction make these brackets strong but light in weight
- Bolt on design installs quickly

### Features

- Each unit has positions for 2 transformers
- Fits NEMA A or B transformer lugs
- Pre-assembled for easy installation
- Includes ground lug
- Includes transformer mounting hardware

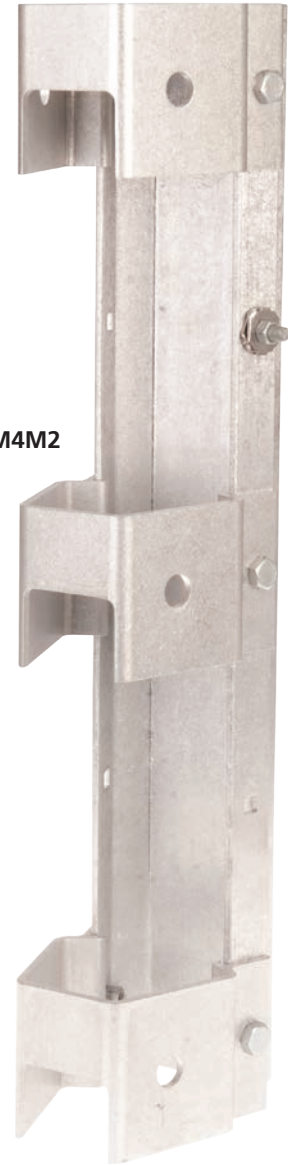
### Material

- Body - Aluminum 6061-T6
- Fasteners - Galvanized steel
- Ground lug - Stainless steel

CDM2M2



CDM4M2

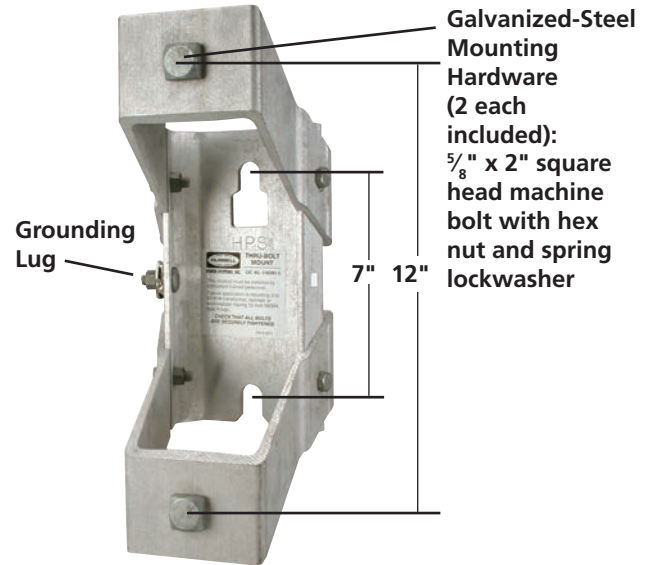


Catalog Number	Transformer Size	Transformer Lug Style	Mounting Pole Offset	Pole Mounting Hole Spacing	Pole Mounting Bolt Size	Approx. Ship Weight Each
CDM2M2	3kVA to 50kVA	NEMA A	5"	12"	5/8"	8.0 lbs.
CDM4M2	3kVA to 100kVA	NEMA A or B		25 3/4"	3/4"	14 lbs.

# Brackets, Transformer, Single Position, Bolted Pole Mounting for Transformer, Recloser or Sectionalizer with NEMA A, B or \*C lugs

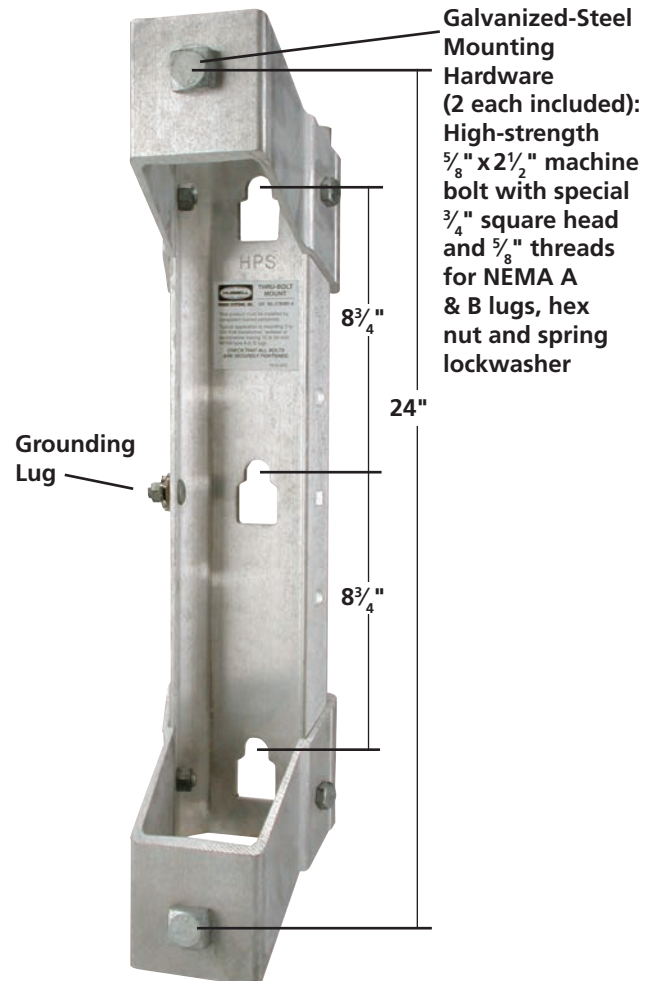
- For mounting one 3kVA - 50kVA Transformer, Recloser or Sectionalizer with NEMA A lugs
- Maximum capacity is 2,000 lb.
- Mounts to pole with two 5/8" thru-bolts (not included)
- Illustrated instructions included with each unit

Catalog No.	Mounting Distance from Pole	Weight
CTB2M16	6"	7.2 lb./3.3 kg.
CTB2M19	9"	8.3 lb./3.8 kg.



- For mounting one 3kVA - 100kVA Transformer, Recloser or Sectionalizer with NEMA A or B lugs (Readily field adapts for NEMA A lugs.)
- \*For mounting one 167kVA - 333kVA Transformer, Recloser or Sectionalizer with NEMA C lugs, add two C321A adapter plates\*
- Maximum capacity is 2,000 lb. with two thru-bolts and 3,000 lb. with three thru-bolts
- Mounts to pole with two or three 3/4" thru-bolts (not included)
- Illustrated instructions included with each unit

Catalog No.	Mounting Distance from Pole	Weight
CTB5M16	6"	12.1 lb./5.5 kg.
CTB5M19	9"	13.7 lb./6.2 kg.



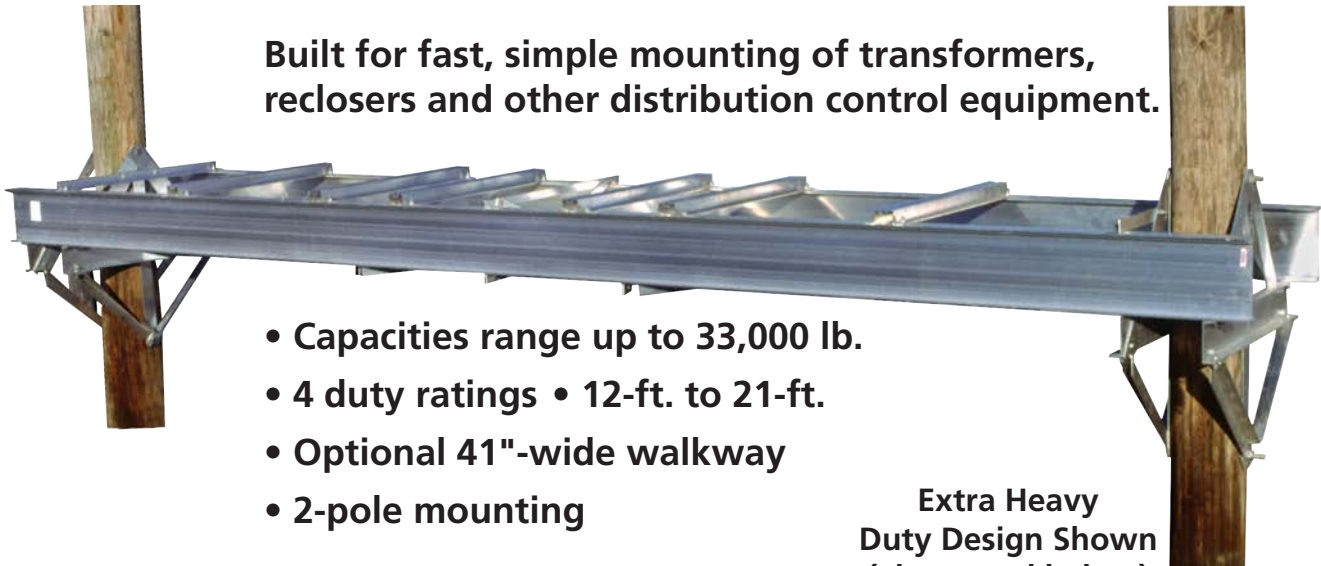
\*Optional, for mounting one transformer, recloser or sectionalizer with NEMA Type C lugs (see Catalog page 5B-4)

Catalog No.	Description	Weight, each
C321A	*Adapter Plate (two required) for use with CTB5M16 or CTB5M19	4 lb./1.8 kg.

## Platforms, Heavy Equipment

Shipped fully assembled on removable wheels for easy mobility

**Built for fast, simple mounting of transformers, reclosers and other distribution control equipment.**



- Capacities range up to 33,000 lb.
- 4 duty ratings • 12-ft. to 21-ft.
- Optional 41"-wide walkway
- 2-pole mounting

**Extra Heavy  
Duty Design Shown  
(above and below)**

For equipment too heavy for single-pole mounting, Hubbell Aluminum Platforms carry three relative ratings:

- Uniform vertical load
- Single center vertical load
- Three vertical loads

These criteria provide flexible information to match varying circumstances in the case-by-case process of specifying a platform. Since both weight and dimensions of equipment are factors, the same size specified for an individual item at one location may serve to support two to three items elsewhere.

To serve a wide range of uses, Hubbell offers a large selection. In the following four series, these lengths\* are available at each increment of 2 feet:

- Regular Duty ..... 12 to 16 feet\*
- Heavy Duty ..... 14 to 18 feet\*
- Extra Heavy Duty ..... 13 to 21 feet\*
- Super Extra Heavy Duty..... 13 to 21 feet\*

\*Inside poles, face to face

Pre-assembly saves you time and money

All Hubbell platforms are delivered in an assembled state, ready for mounting. This saves \$200 to \$300 on average in labor per platform.

High-strength and walkway option for all sizes

All platforms are constructed with 11½" main I-beams (two each for all series but the Super Extra Heavy Duty series, which has four main beams each). Extruded-aluminum sections are all 6061-T6 material. Fasteners are all steel galvanized per ASTM A153 or ASTM B695 Class 55.



Each platform has six adjustable hat-channel crossmembers that can slide to necessary positions and lockbolt in place.

All come with illustrated, detailed mounting instructions.

Each unit may be ordered with an optional 41-inch-wide parallel walkway with hand railing and supports. Planks are not included, must be provided by the customer.

**For ordering information, see next page.**





# Platforms, Heavy Equipment

## Shipped fully assembled for 2-pole mounting

### Ordering Information

Catalog Number	Inside Poles, Face to Face	Beams, No. x Length	Vertical Load Ratings			Weight, each
			Uniform Vertical Load	Single Center Vertical Load	Three Vertical Loads	

**Regular Duty Platforms — 42" WIDE** — Each attaches by eight  $\frac{3}{4}$ " machine bolts (not supplied), four bolts in each pole.

CP122	12 feet	2 x 14 ft.	8,000 lb.	5,000 lb.	2,000 lb.	233 lb.
CP142	14 feet	2 x 16 ft.	6,000 lb.	4,000 lb.	1,800 lb.	254 lb.
CP162	16 feet	2 x 18 ft.	5,000 lb.	3,100 lb.	1,400 lb.	275 lb.

**Walkway option for Regular Duty Platforms** — For single walkway (41 inches wide x length of platform beams) with supports and hand railings (walkway planks not supplied), add to Catalog No. suffix: **WKY**. For double walkway, add suffix: **2WKY**.

**Heavy Duty Platforms — 42" WIDE** — Each attaches by eight  $\frac{3}{4}$ " machine bolts (not supplied), four bolts in each pole.

CPHD142	14 feet	2 x 16 ft.	14,000 lb.	7,500 lb.	4,600 lb.	265 lb.
CPHD162	16 feet	2 x 18 ft.	14,000 lb.	7,500 lb.	4,600 lb.	286 lb.
CPHD182	18 feet	2 x 20 ft.	14,000 lb.	7,500 lb.	3,633 lb.	307 lb.

**Walkway option for Heavy Duty Platforms** — For single walkway (41 inches wide x length of platform beams) with supports and hand railings (walkway planks not supplied), add to Catalog No. suffix: **WKY**. For double walkway, add suffix: **2WKY**.

**Extra Heavy Duty Platforms — 42" WIDE** — Each attaches by fourteen  $\frac{3}{4}$ " machine bolts (not supplied), seven bolts in each pole.

CPEHD142	13 feet	2 x 16 ft.	22,000 lb.	10,000 lb.	6,220 lb.	409 lb.
CPEHD162	15 feet	2 x 18 ft.	17,742 lb.	10,000 lb.	4,667 lb.	430 lb.
CPEHD182	17 feet	2 x 20 ft.	13,813 lb.	8,633 lb.	3,700 lb.	451 lb.
CPEHD202	19 feet	2 x 22 ft.	11,058 lb.	6,911 lb.	2,909 lb.	471 lb.
CPEHD222	21 feet	2 x 24 ft.	9,052 lb.	5,657 lb.	2,381 lb.	503 lb.

**Walkway option for Extra Heavy Duty Platforms** — For single walkway (41 inches wide x length of platform beams) with supports and hand railings (walkway planks not supplied), add to Catalog No. suffix: **WKY**. For double walkway, add suffix: **2WKY**.

**Super Extra Heavy Duty Platforms — 48" WIDE** — Each attaches by fourteen  $\frac{3}{4}$ " machine bolts (not supplied), seven bolts in each pole.

CPSEHD142	13 feet	4 x 16 ft.	33,000 lb.	20,000 lb.	10,400 lb.	665 lb.
CPSEHD162	15 feet	4 x 18 ft.	31,000 lb.	18,000 lb.	9,334 lb.	709 lb.
CPSEHD182	17 feet	4 x 20 ft.	27,626 lb.	17,266 lb.	7,266 lb.	751 lb.
CPSEHD202	19 feet	4 x 22 ft.	22,116 lb.	13,822 lb.	5,818 lb.	801 lb.
CPSEHD222	21 feet	4 x 24 ft.	18,104 lb.	11,314 lb.	4,762 lb.	856 lb.

**Walkway option for Super Extra Heavy Duty Platforms** — For single walkway (41 inches wide x length of platform beams) with supports and hand railings (walkway planks not supplied), add to Catalog No. suffix: **WKY**. For double walkway, add suffix: **2WKY**.

### Platform Accessories

CATTDK	Equipment tie-down kit. Includes "L" tabs, bolts, washers and nuts for one piece of equipment
CPEPKRD	Extra pole kit for regular duty platform
CPEPKHD	Extra pole kit for heavy duty platform
CPEPKEHD	Extra pole kit for extra heavy duty platform
CPEPKSEHD	Extra pole kit for super extra heavy duty platform

## Racks, Capacitor

- Five sizes for one to twelve 200-kvar capacitors
- Shipped fully assembled to go up fast

### Lightweight and pre-assembled for installation ease

To save you installation time and money, all Hubbell aluminum capacitor racks are fully assembled. Five sizes are designed for mounting capacitors with a  $15\frac{5}{8}$ " lug spacing and weighing up to 80 pounds each. The racks are notably light in weight compared to their strength ratings.

Each capacitor rack is furnished complete with a ground wire clamp secured by a  $\frac{3}{8}$ " bolt.

Mounting bolts are not included. The single-unit (CCR1) rack requires a  $\frac{5}{8}$ " through bolt and a lag bolt; the largest rack (CCR912) requires two  $\frac{3}{4}$ " through bolts; and each

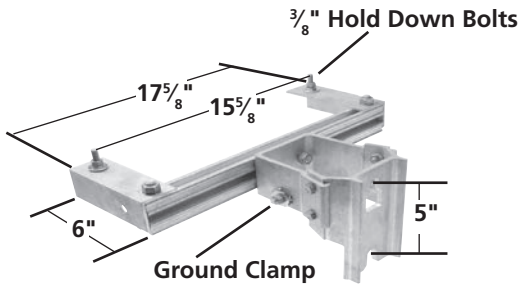
of other three racks (CCR3, CCR34, CCR6) requires two  $\frac{5}{8}$ " through bolts. All come with illustrated mounting instructions.

### Adjustability of multi-unit models

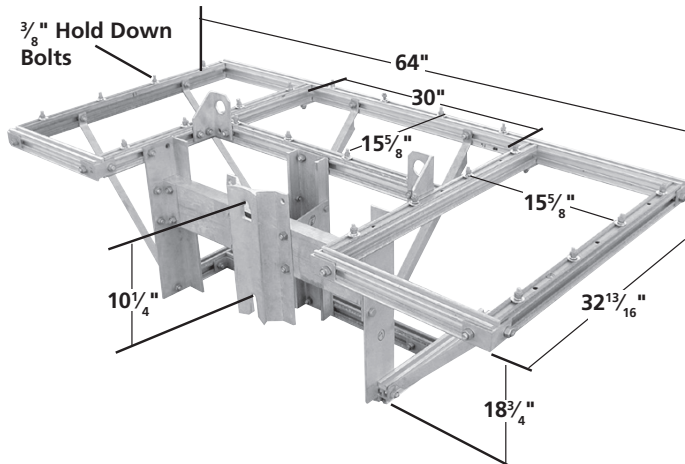
Every unit comes with two pre-spaced  $\frac{3}{8}$ " hold-down bolts (each with a flat washer, a lockwasher and a nut) per capacitor, up to the rack's maximum.

These hold-down bolt heads are trapped in the T-slot channel to ensure proper spacing for mounting. Whether mounting the maximum or fewer capacitors, they must be evenly spaced in the rack for proper load distribution.

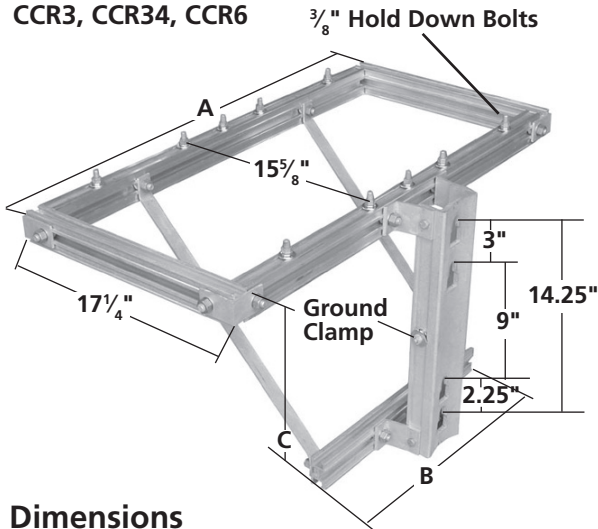
Catalog Number CCR1



Catalog Number CCR912



Catalog Numbers CCR3, CCR34, CCR6



### Dimensions

Cat. No.	A	B	C	Braces
CCR3	26 $\frac{13}{16}$ "	9"	18 $\frac{5}{8}$ "	2
CCR34	34 $\frac{13}{16}$ "	18"	18 $\frac{5}{8}$ "	2
CCR6	50 $\frac{13}{16}$ "	18"	18 $\frac{3}{4}$ "	3

### Ordering Information

Catalog Number	Ratings	Mounting Distance from Pole	Weight
CCR1	1 Capacitor	6"	4 $\frac{1}{2}$ lb./9.9 kg.
CCR3	Max. 3 Capacitors	3 $\frac{1}{4}$ "	17 lb./37.5 kg.
CCR34	Max. 4 Capacitors	3 $\frac{1}{4}$ "	18 lb./39.7 kg.
CCR6	Max. 6 Capacitors	3 $\frac{1}{4}$ "	22 $\frac{1}{2}$ lb./49.6 kg.
CCR912	Max. 12 Capacitors	9 $\frac{1}{2}$ "	85 lb./187.4 kg.







**HUBBELL<sup>®</sup>**  
**Power Systems, Inc.**

• 210 N. Allen St. • Centralia, MO 65240 • (573) 682-5521

NOTICE: For the latest revision of our Catalog and Literature, click here or visit our web site: [www.hubbellpowersystems.com](http://www.hubbellpowersystems.com)

NOTE: Hubbell has a policy of continuous product improvement. We reserve the right to change design and specifications without notice. ©Copyright 2015 Hubbell Incorporated

***NEVER COMPROMISE™***

[www.hubbellpowersystems.com](http://www.hubbellpowersystems.com)

