



Color:  Ivory

UPC Code: 07847738184

Country Of Origin: Mexico

NEMA:  
5-15R



## TWR15-W

### Brand Features

Plug Into Safety with Leviton's Line of Tamper-Resistant (TR) Receptacles. As a long-time manufacturer of tamper-resistant devices, we are pleased to be at the forefront of this safety measure with an expanded product line that encompasses a wide range of TR devices in Residential, Commercial, Industrial and Hospital Grades. Leviton's Weather Resistant devices are ruggedly constructed to seal out moisture to meet all your outdoor needs.

### Item Description

Duplex Receptacle Outlet, Heavy-Duty Industrial Specification Grade, Weather and Tamper-Resistant, Smooth Face, 15 Amp, 125 Volt, Back or Side Wire, NEMA 5-15R, 2-Pole, 3-Wire, Self-Grounding - White

### Technical Information

#### AC Horsepower Rating

**Horsepower Rating:** 1/2 HP

#### Electrical Specifications

**Amperage:** 15 A

**Dielectric Voltage:** Withstands 3000 V minimum

**Grounding:** Self-Grounding

**Pole:** 2

**Temperature Rise:** Max 30 °C after 250 cycles OL at 200 percent rated current

**Voltage:** 125 VAC

**Wire:** 3

#### Environmental Specifications

**Flammability:** Rated V-0 per UL 94

**Operating Temperature:** -40°C to 75°C

#### Material Specifications

**Body Material:** PBT Polyester Blend

**Face Material:** PBT Polyester Blend

**Ground Clips:** Brass

**Ground Contacts:** 0.030" Brass

**Grounding Screw:** #8 hex head, triple drive Brass

**Line Contacts:** 0.030" Phosphor Bronze

**Mounting Screws:** Triple-Drive Plated Steel

**Strap Material:** Steel

**Terminal Clamps:** Brass

**Terminal Screws:** #8 Triple-Drive Brass

#### Mechanical Specifications

**Product ID:** Ratings are permanently marked on device

**Terminal Accom.:** #14 AWG - #10 AWG

**Terminal ID:** Brass - Hot, Green - Ground, Silver - Neutral

**Termination:** Back or Side Wire

**Wire Type:** Stranded or Solid

#### Product Features

**Color:** Ivory

**Color / Feature:** Black

**Device Type:** Duplex Receptacle Outlet

**Feature:** Weather-Resistant

**Feature 2:** Weather and Tamper-Resistant

**Feature 4:** Smooth Face

**Grade:** Heavy-Duty Industrial Specification Grade

**NEMA:** 5-15R

#### Standards & Certifications

**ANSI:** C-73

**Applicable Standards:** UL 498, Fed Spec W-C-596, CSA C22.2. No. 42

**Certification/Listing:** cULus, NOM-ANCE

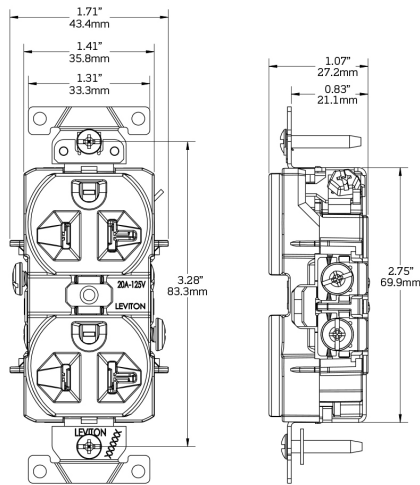
**NEMA:** WD 1 & WD 6

**RoHS:** RoHS Compliant

**Patents\***

CA2483480	US6743029
CA2621644	US7355117
CA2624409	US7820909
CA2677283	US7868719
CN200880004760.2	US8242362
MX257790	US8684771
MX321216	

\*This list is provided for patent marking purposes only. A good faith effort is made to maintain the accuracy and completeness of this list. No legal inference should be drawn from the omission of a patent from this list.



**SPECIFICATION SUBMITTAL**

JOB NAME: <input type="text"/>	CATALOG NUMBERS: <input type="text"/>
JOB NUMBER: <input type="text"/>	<input type="text"/>

**Leviton Manufacturing Co., Inc.**

201 North Service Road, Melville, NY 11747

Teléfono: +1-800-323-8920 · FAX: +1-800-832-9538 · Tech Line (8:30AM-7:30PM E.S.T. Monday-Friday): +1-800-824-3005

**Leviton Manufacturing of Canada, Ltd.**

165 Hymus Boulevard, Pointe Claire, Quebec H9R 1E9 · Telephone: +1-800-469-7890 ·

FAX: +1-800-824-3005 · www.leviton.com/canada

**Leviton S. de R.L. de C.V.**

Lago Tana 43, Mexico DF, Mexico CP 11290 · Tel.: (+52)55-5082-1040 · FAX: (+52)5386-

1797 · www.leviton.com.mx

Visit our Website at: [www.leviton.com](http://www.leviton.com)

© 2018 Leviton Manufacturing Co., Inc. Todos los derechos reservados. Subject to change without notice.

**Leviton has a global presence.**

If you would like to know where your local Leviton office is located please go to:

[www.leviton.com/international/contacts/](http://www.leviton.com/international/contacts/)

