


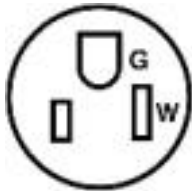


Color:  Gray

UPC Code: 07847739203

Country Of Origin: Mexico

NEMA:
5-15R



TWR15-GY

Brand Features

Plug Into Safety with Leviton's Line of Tamper-Resistant (TR) Receptacles. As a long-time manufacturer of tamper-resistant devices, we are pleased to be at the forefront of this safety measure with an expanded product line that encompasses a wide range of TR devices in Residential, Commercial, Industrial and Hospital Grades. Leviton's Weather Resistant devices are ruggedly constructed to seal out moisture to meet all your outdoor needs.

Item Description

Duplex Receptacle Outlet, Heavy-Duty Industrial Specification Grade, Weather and Tamper-Resistant, Smooth Face, 15 Amp, 125 Volt, Back or Side Wire, NEMA 5-15R, 2-Pole, 3-Wire, Self-Grounding - Gray

Technical Information

AC Horsepower Ratings

At Rated Voltage: 1/2 HP

Electrical Specifications

Amperage: 15 A

Current Limiting: Full Rated Current

Dielectric Voltage: Withstands 2000V per UL498

Grounding: Self-Grounding

Pole: 2

Temperature Rise: Max 30C after 100 cycles OL at 150 percent rated current

Voltage: 125 VAC

Wire: 3

Environmental Specifications

Flammability: Rated V-2 per UL94

Operating Temperature: -40°C to 60°C

Material Specifications

Body Material: Nylon

Clamp Nuts: Zinc-Plated Steel

Color: Gray

Face Material: Nylon

Ground Clips: Nickel-Plated Brass

Grounding Screw: Nickel-Plated Brass

Line Contacts: Nickel-Plated Brass Triple-Wipe .040 Thick

Mounting Screws: Stainless Steel

Shutter Mechanism: Delrin® Acetal

Strap Material: Nickel Plated Brass

Terminal Screws: Nickel-Plated Brass 10-32

Mechanical Specifications

Product ID: Ratings permanently marked on device

Terminal Accom.: 14-10 AWG

Terminal ID: Brass-Hot, Green-Ground, Silver-Neutral

Termination: Back or Side Wire

Product Features

Color: Gray

NEMA: 5-15R

Device Type: Duplex Receptacle Outlet

Feature 2: Weather and Tamper-Resistant

Feature 4: Smooth Face

Grade: Heavy-Duty Industrial Specification Grade

Standards and Certifications

ANSI: C-73

CSA C22.2 No. 42: File 152105

NEMA: WD-1 WD-6

NOM: 057

UL 498: File E13399

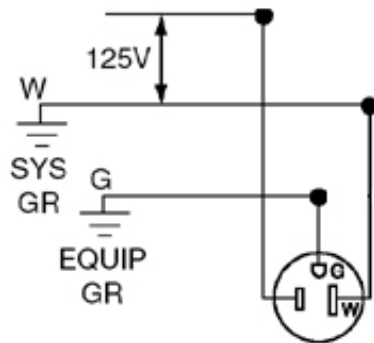
Warranty: 2-Year Limited

Patents*

CA2483480	US6743029
CA2621644	US7355117
CA2624409	US7820909
CA2677283	US7868719
CN200880004760.2	US8242362
MX257790	US8684771
MX321216	

*This list is provided for patent marking purposes only. A good faith effort is made to maintain the accuracy and completeness of this list. No legal inference should be drawn from the omission of a patent from this list.

Wiring Diagram



5-15R

SPECIFICATION SUBMITTAL

JOB NAME: <input type="text"/>	CATALOG NUMBERS: <input type="text"/>	<input type="text"/>
JOB NUMBER: <input type="text"/>	<input type="text"/>	<input type="text"/>

Leviton Manufacturing Co., Inc.

201 North Service Road, Melville, NY 11747
Teléfono: +1-800-323-8920 · FAX: +1-800-832-9538 · Tech Line (8:30AM-7:30PM E.S.T. Monday-Friday): +1-800-824-3005

Leviton Manufacturing of Canada, Ltd.

165 Hymus Boulevard, Pointe Claire, Quebec H9R 1E9 · Telephone: +1-800-469-7890 · FAX: +1-800-824-3005 · www.leviton.com/canada

Leviton S. de R.L. de C.V.

Lago Tana 43, Mexico DF, Mexico CP 11290 · Tel.: (+52)55-5082-1040 · FAX: (+52)5386-1797 · www.leviton.com.mx

Visit our Website at: www.leviton.com

© 2018 Leviton Manufacturing Co., Inc. Todos los derechos reservados. Subject to change without notice.

Leviton has a global presence.

If you would like to know where your local Leviton office is located please go to:
www.leviton.com/international/contacts/

