

## Decorator Switches - Technical Information

### Features

- Smooth, quiet rocker action
- Self-grounding feature standard
- Ultrasonically welded cover and base provides maximum strength
- Push, back and side wiring
- Available colors: Black, Brown, Gray, Ivory, Light Almond and White



**RSD115W**

### Specifications

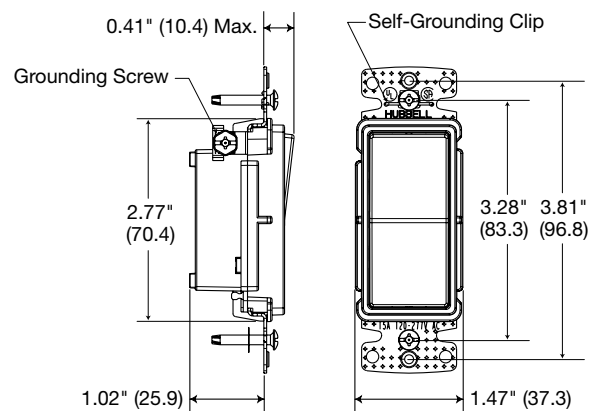
Switches	Component	Material
Typical Specification — Catalog Number <b>RSD115xx</b>	Base and body	PVC
Description — Decorator series rocker switch	Rocker	Polycarbonate
Type — Single Pole	Terminals	Brass
Rating — 15A, 120-277V AC	Mounting strap	Galvanized steel
Certification — Listed to UL Standard 20 CSA Certified	Contacts	Silver alloy
	Movable contact arm	Copper alloy
	Terminal screws	Steel

Note: **xx** = Color: **BK** (Black), **BL** (Brown), **GY** (Gray), **I** (Ivory), **LA** (Light Almond), and **W** (White).

### Performance

Electrical	
Dielectric voltage	Withstands 1,500V AC minimum for 1 minute.
Max. working voltage	120V.
Overload	1.5 times rating.
Endurance	30,000 cycles minimum.
Mechanical	
Terminal accommodation	Back and side wire: #14 AWG min. - #12 AWG max. solid and stranded copper wire only; push wire: #14 AWG solid copper wire only.
Environmental	
Flammability	UL V0.
Operating temperatures	Maximum continuous 60°C; minimum -20°C (without impact).

### Dimensions



**Single-Pole Decorator Switch**

Dimensions in Inches (mm)