

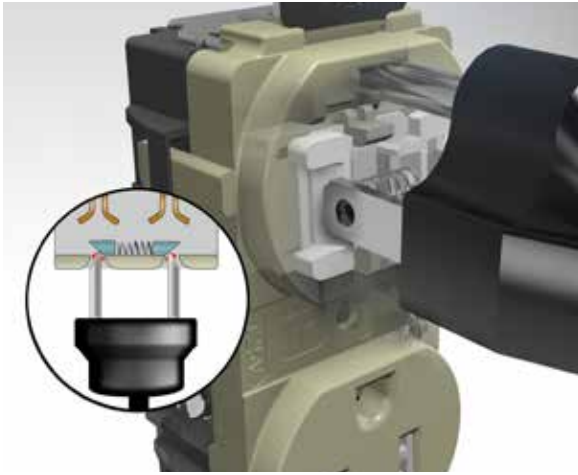
Tamper-Resistant Receptacles



Tamper-Resistant...**NOT** Plug Resistant[®]

Tamper-Resistant...**NOT** Plug Resistant®

Conventional Technology



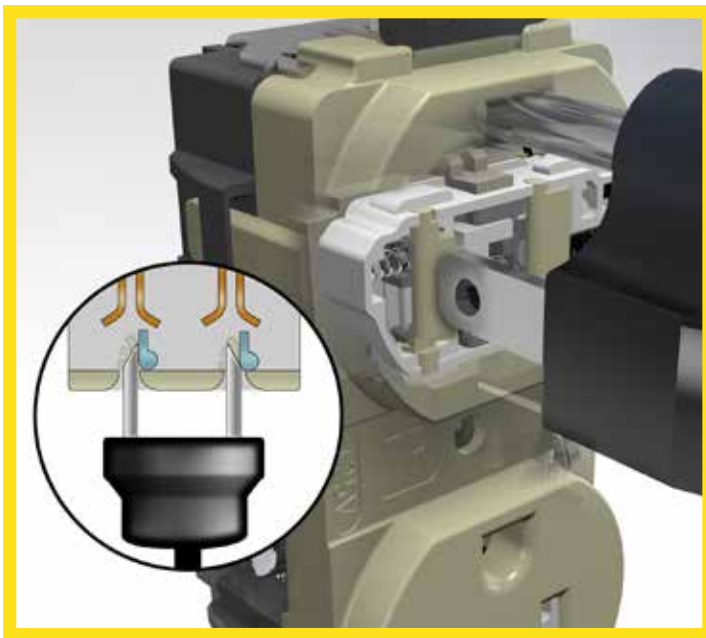
Ramp Mechanism

Most tamper-resistant receptacles use a spring-loaded sliding ramp shutter mechanism in the body of the receptacle.

There are some drawbacks to this type of mechanism. Sharp edges on plug blades could dig into the ramps, making plug insertion difficult. Damaged or weak plugs make the situation worse.

A quick online search will show videos from homeowners and electricians, complaining about TR receptacles.

Hubbell Patented Technology



Patented Cam Action Mechanism

Hubbell heard these customer concerns, driving our product development team to engineer a better way.

The result is our patented cam action mechanism. When a plug is inserted into a Hubbell tamper-resistant receptacle, the cam slides the insulating barrier out of the way. The rotating action eliminates friction, creating a smoother, more reliable insertion, regardless of the plug.

As a result, difficulties due to problematic plugs are minimized.



Scan to see how the Patented Cam Action Mechanism works.

For additional information about Hubbell Tamper-Resistant receptacles, visit us at www.hubbell.com.

The Problematic Plugs

Common household plugs on lamps, small appliances and extension cords often have weak, flexible blades that are easily splayed or bent. These molded-on plugs can also have blades with sharp edges and burrs that catch in conventional TR outlets. Our patented technology resolves this problem.



Tamper-Resistant—Safety Made Easy

The Hubbell Solution

Hubbell's patented Cam Action Technology makes inserting a plug as easy as plugging into a standard receptacle. This design has been incorporated into our Industrial, Hospital, Commercial and Residential receptacles. This broad offering ensures the right quality product for all projects.



2017 National Electrical Code® Change

According to the NFPA®, approximately 2,400 children suffer severe shock and burns from sticking objects into unprotected receptacles.

2017 section 406.12 requires all non-locking 15- and 20-ampere, 125- and 250-volt receptacles in the areas specified in 406.12(1) through (7) shall be listed tamper-resistant receptacles.

- (1) Dwelling units in all areas specified in 210.52 and 550.13
- (2) Guest rooms and guest suites of hotels and motels
- (3) Child care facilities
- (4) Preschools and elementary education facilities
- (5) Business offices, corridors, waiting rooms and the like in clinics, medical and dental offices and outpatient facilities
- (6) Subset of assembly occupancies described in 518.2 to include places of waiting transportation, gymnasiums, skating rinks, and auditoriums
- (7) Dormitories.



Jackson Bradley, Design Engineer, Atlanta, GA

I received the receptacles this morning and am really impressed. I walked around the house plugging many different types of devices and all worked very smoothly.

I have been a design engineer for almost 30 years and know a good design when I see it. You can be proud of this one.

I'll pass some of these along to electricians that I know.

Thanks for your response as well as the receptacles.



Jason C. Stevenson, Electrician

I am a commercial/residential electrician for over 30 years and had varied experience with tamper resistant receptacles from all the major manufacturers.

The tamper resistant mechanism in the current Hubbell product line are the slickest and most trouble free I have experienced.



Tamper-Resistant Receptacles

HBL Extra Heavy Duty



HBL5362ITR

| Duplex | Back and side wired | |
|--------------|---------------------|-------------|
| Color | 15A | 20A |
| Black | HBL5262BKTR | HBL5362BKTR |
| Brown | HBL5262TR | HBL5362TR |
| Ivory | HBL5262ITR | HBL5362ITR |
| Light Almond | HBL5262LATR | HBL5362LATR |
| White | HBL5262WTR | HBL5362WTR |

Hubbell-PRO Hospital Grade



8200IVTRA

| Duplex | Back and side wired | |
|--------------|---------------------|-----------|
| Color | 15A | 20A |
| Black | 8200BKTRA | 8300BKTRA |
| Brown | 8200TRA | 8300TRA |
| Ivory | 8200IVTRA | 8300IVTRA |
| Light Almond | 8200LATRA | 8300LATRA |
| White | 8200WTRA | 8300WTRA |

| Decorator | Back and side wired | |
|--------------|---------------------|-----------|
| Color | 15A | 20A |
| Black | 2172BKTRA | 2182BKTRA |
| Brown | 2172TRA | 2182TRA |
| Ivory | 2172IVTRA | 2182IVTRA |
| Light Almond | 2172LATRA | 2182LATRA |
| White | 2172WTRA | 2182WTRA |

Commercial Specification Grade



CR15ITR



DR20ITR

| Duplex | Side wired only | |
|--------------|-----------------|-----------|
| Color | 15A | 20A |
| Black | CR15BLKTR | CR20BLKTR |
| Brown | CR15TR | CR20TR |
| Ivory | CR15ITR | CR20ITR |
| Light Almond | CR15LATR | CR20LATR |
| White | CR15WHITR | CR20WHITR |

| Duplex | Back and side wired | |
|--------------|---------------------|-----------|
| Color | 15A | 20A |
| Black | BR15BLKTR | BR20BLKTR |
| Brown | BR15TR | BR20TR |
| Ivory | BR15ITR | BR20ITR |
| Light Almond | BR15LATR | BR20LATR |
| White | BR15WHITR | BR20WHITR |

| Decorator | Back and side wired | |
|--------------|---------------------|-----------|
| Color | 15A | 20A |
| Black | DR15BLKTR | DR20BLKTR |
| Brown | DR15TR | DR20TR |
| Ivory | DR15ITR | DR20ITR |
| Light Almond | DR15LATR | DR20LATR |
| White | DR15WHITR | DR20WHITR |

Residential Tamper- and Weather Resistant



RR15SITR

| Duplex | Push and side wired | |
|--------------|---------------------|------------|
| Color | 15A | 20A |
| Black | RR15SBKTR | RR15SBKWTR |
| Brown | RR15STR | RR15SWTR |
| Ivory | RR15SITR | RR15SIWTR |
| Light Almond | RR15SLATR | RR15SLAWTR |
| White | RR15SWTR | RR15SWWTR |

| Decorator | Push and side wired | |
|--------------|---------------------|-------------|
| Color | 15A | 20A |
| Black | RRD15SBKTR | RRD15SBKWTR |
| Brown | RRD15STR | RRD15SWTR |
| Ivory | RRD15SITR | RRD15SIWTR |
| Light Almond | RRD15SLATR | RRD15SLAWTR |
| White | RRD15SWTR | RRD15SWWTR |

Residential Single Tamper-Resistant Only



RRD201LATR

| Single | Side wired | |
|--------------|------------|-----------|
| Color | 15A | 20A |
| Black | RR151BKTR | RR201BKTR |
| Brown | RR151TR | RR201TR |
| Ivory | RR151ITR | RR201ITR |
| Light Almond | RR151LATR | RR201LATR |
| White | RR151WTR | RR201WTR |

| Decorator | Side wired | |
|--------------|------------|------------|
| Color | 15A | 20A |
| Black | RRD151BKTR | RRD201BKTR |
| Brown | RRD151TR | RRD201TR |
| Ivory | RRD151ITR | RRD201ITR |
| Light Almond | RRD151LATR | RRD201LATR |
| White | RRD151WTR | RRD201WTR |

Permanently Marked Receptacles



BR15C1ITR



DR20C2ITR

| Duplex | One Controlled Face, Split Circuit | |
|--------------|------------------------------------|-------------|
| Color | 15A | 20A |
| Black | BR15C1BLKTR | BR20C1BLKTR |
| Brown | BR15C1TR | BR20C1TR |
| Ivory | BR15C1ITR | BR20C1ITR |
| Light Almond | BR15C1LATR | BR20C1LATR |
| White | BR15C1WHITR | BR20C1WHITR |

| Duplex | Two Controlled Faces | |
|--------------|----------------------|-------------|
| Color | 15A | 20A |
| Black | BR15C2BLKTR | BR20C2BLKTR |
| Brown | BR15C2TR | BR20C2TR |
| Ivory | BR15C2ITR | BR20C2ITR |
| Light Almond | BR15C2LATR | BR20C2LATR |
| White | BR15C2WHITR | BR20C2WHITR |

| Decorator | One Controlled Face, Split Circuit | |
|--------------|------------------------------------|-------------|
| Color | 15A | 20A |
| Black | DR15C1BLKTR | DR20C1BLKTR |
| Brown | DR15C1TR | DR20C1TR |
| Ivory | DR15C1ITR | DR20C1ITR |
| Light Almond | DR15C1LATR | DR20C1LATR |
| White | DR15C1WHITR | DR20C1WHITR |

| Decorator | Two Controlled Faces | |
|--------------|----------------------|-------------|
| Color | 15A | 20A |
| Black | DR15C2BLKTR | DR20C2BLKTR |
| Brown | DR15C2TR | DR20C2TR |
| Ivory | DR15C2ITR | DR20C2ITR |
| Light Almond | DR15C2LATR | DR20C2LATR |
| White | DR15C2WHITR | DR20C2WHITR |

For a complete listing of all Hubbell Tamper-Resistant Receptacles, please see our full-line catalog.