

Straight Blade Devices  
 20A, 125V, 2 Pole, 3 Wire Grounding  
 Commercial Specification Grade Duplex  
 Receptacles

# HUBBELL

## Features

- Tamper-resistant shutter complies with national electrical code requirements
- Smooth face
- Triple wipe contacts

## Ordering Information

| Description                                    | Device Color | UPC          | Catalog Number |
|--|--------------|--------------|----------------|
| Tamper-Resistant, smooth face, side wired only | Ivory        | 783585144290 | CR201TR        |

## Listings

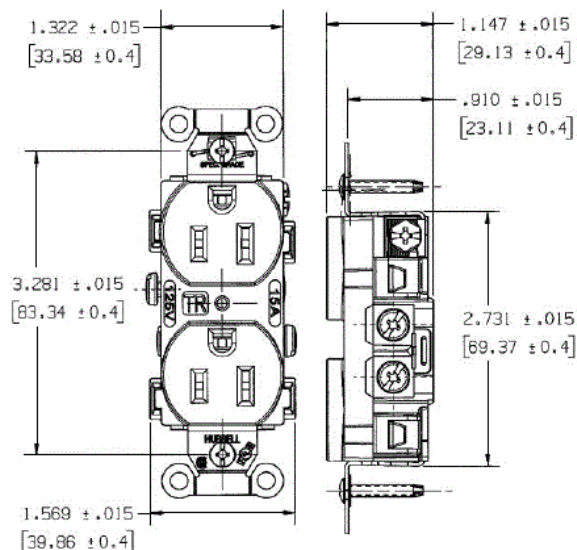
UL Listed to UL498 File No. E2186  
 Certified to CSA, C22.2, No. 42  
 NEMA® WD-6 Compliant

## Specifications

|                                 |                               |
|---------------------------------|-------------------------------|
| Face                            | Nylon                         |
| Base                            | Nylon                         |
| Power Contacts                  | .030 in. (.8) Brass           |
| Mounting Strap                  | .040 in. (1) Galvanized steel |
| Terminal Screws                 | Plated steel                  |
| Automatic Self-grounding Staple | Stainless steel               |
| Mounting Screws                 | Galvanized steel              |

## Performance

|                         |  |
|-------------------------|--|
| <b>Electrical</b>       |  |
| Current Interrupting    | Certified for current interrupting at full rated current |
| Dielectric Voltage      | Withstands 2,000V minimum                                |
| <b>Mechanical</b>       |  |
| Product Identification  | Ratings are a permanent part of the device               |
| Terminal Accommodation  | #12-#10 AWG copper stranded or solid conductor only      |
| Terminal Identification | Terminals identified in accordance with UL 498 and CSA   |
| <b>Environmental</b>    |  |
| Flammability            | UL 94 V-2  |
| Operating Temperatures  | Maximum continuous 75°C; minimum -40°C (w/o impact)      |



## Accessories

Wallplate or Weatherproof Cover Duplex Opening

## Resources

Customer Use Drawing  
 eCatalog

Dimensions in Inches (mm)

Hubbell Wiring Device-Kellems • Hubbell Incorporated (Delaware) • 40 Waterview Drive • Shelton, CT 06484

Phone (800) 288-6000 • Fax (800) 255-1031 • Specifications subject to change without notice.

