

2

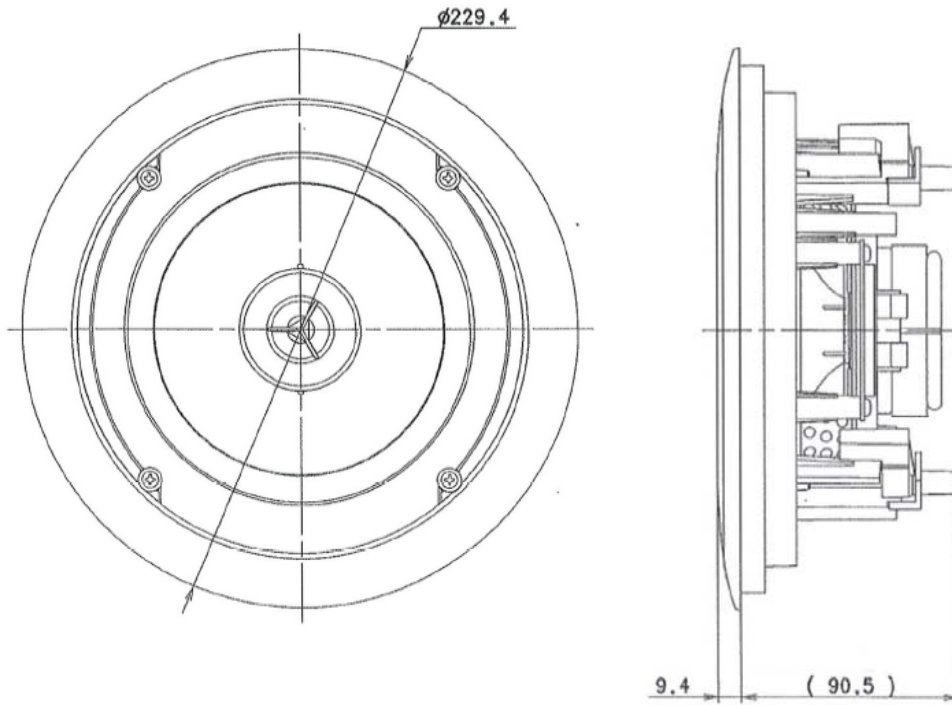
1

NOTES:

- 1. MOISTURE RATING: SUITABLE FOR MOISTURE RICH ENVIRONMENTS
- 2. EFFICIENCY: 91 db
- 3. IMPEDANCE: 8 ohm
- 4. FREQUENCY RESPONSE: 60-20KHz
- 5. WOOFER TYPE: BLUE MICA FIBER
- 6. TWEETER TYPE: SILVER MYLAR
- 7. POWER RMS/PEAK: 50W/100W
- 8. PAINTABLE SPEAKER GRILL INCLUDED

B

B



A

A

PROPRIETARY AND CONFIDENTIAL  
 THE INFORMATION CONTAINED  
 IN THIS DRAWING IS THE SOLE  
 PROPERTY OF On-Q/LEGRAND.  
 ANY REPRODUCTION IN PART OR  
 AS A WHOLE WITHOUT THE WRITTEN  
 PERMISSION OF On-Q/LEGRAND  
 IS PROHIBITED. DRAWING IS SUBJECT  
 TO CHANGE WITHOUT NOTICE.

**on·Q**

**legrand**

P.O. Box 60907  
 Middletown, PA 17106-0907  
 1-800-321-2343

TITLE:

**evoQ 3000 6.5" IN-CEILING SPEAKER  
(PAIR)**

SIZE <b>A</b>	DWG NO <b>MS3650</b>	FILE NAME <b>CD-MS3650</b>	CUST REV <b>1</b>
REVISED DATE 7/18/08	SCALE <b>NONE</b>	SHEET <b>1 OF 1</b>	

2

1