

Instruction Bulletin

LA/LH Main Circuit Breaker and Adapter Kit Installation onto an NQ Panelboard Class 1640

Retain for future use.

Introduction

This bulletin contains instructions for installing a Square D® brand LA/LH main circuit breaker (400 A max.) and adapter kit onto a Square D brand NQ panelboard manufactured by Schneider Electric.

Safety Precautions

⚠ DANGER

HAZARD OF ELECTRIC SHOCK, EXPLOSION, OR ARC FLASH

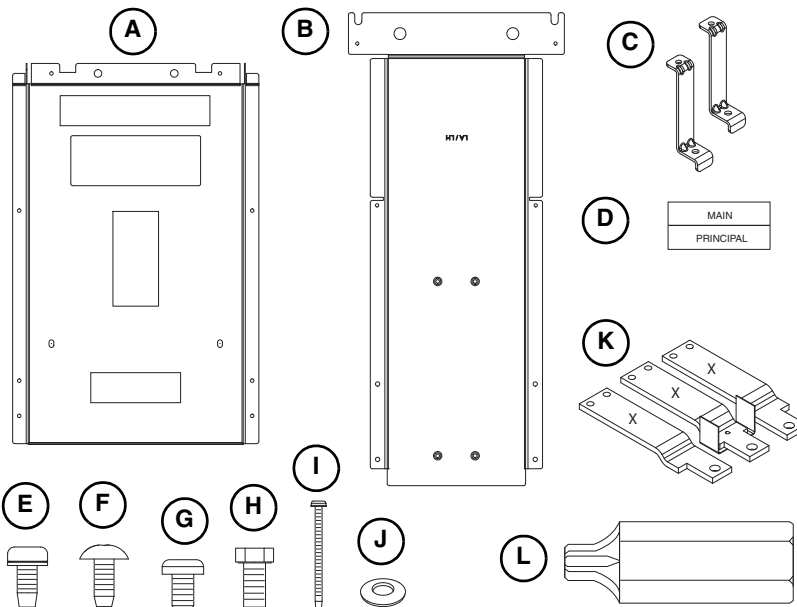
- Apply appropriate personal protective equipment (PPE) and follow safe electrical work practices. See NFPA 70E.
- This equipment must only be installed and serviced by qualified electrical personnel.
- Turn off all power supplying this equipment before working on or inside equipment.
- Always use a properly rated voltage sensing device to confirm power is off.
- Replace all devices, doors, and covers before turning on power to this equipment.

Failure to follow these instructions will result in death or serious injury.

Kit Contents

NQMB4LA

- A. Main circuit breaker deadfront cover (1)
- B. Main circuit breaker mounting pan (1)
- C. Deadfront support brackets (2)
- D. "MAIN" circuit breaker label (1)
- E. 1/4-20 x 7/8-in. tapping screws (6)
- F. 10-32 x 7/16-in. tapping screws (2)
- G. 10-32 x 5/16-in. tapping screws (6)
- H. 3/8-16 x 3/4-in. screws (3)
- I. 12-24 x 3 1/4-in. tapping screws (4)
- J. 3/8 washers (3)
- K. Main circuit breaker connectors (3)
- L. T40 Torx drive bit with 1/4-in. hex shank (1)



NOTE: Kit contents not shown to scale.

Tools Needed

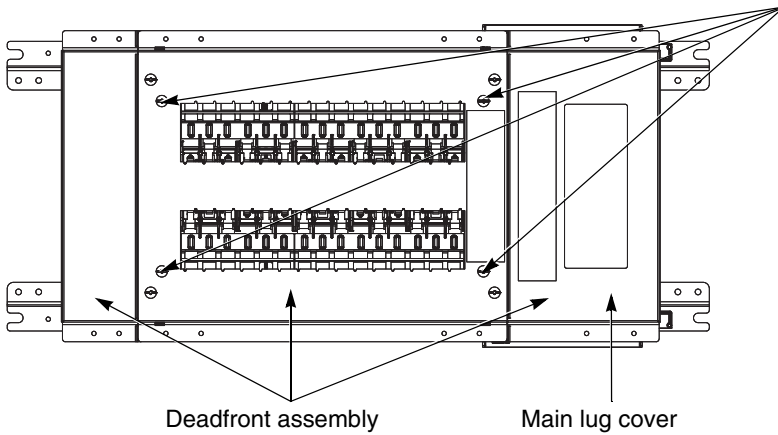


- Multifunctional screwdriver
- Flat-blade screwdriver
- #2 Square-head Robertson driver
- 3/8-in. Allen driver
- Torque wrench with 5/32-in. Allen driver
- Torque wrench with 9/16-in. Hex socket

Installing the Kit

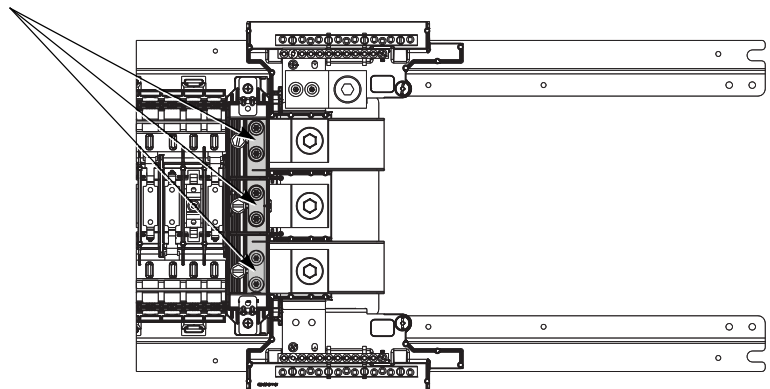


Turn off all power supplying this equipment before working inside the panelboard; follow all lockout/tagout procedures.



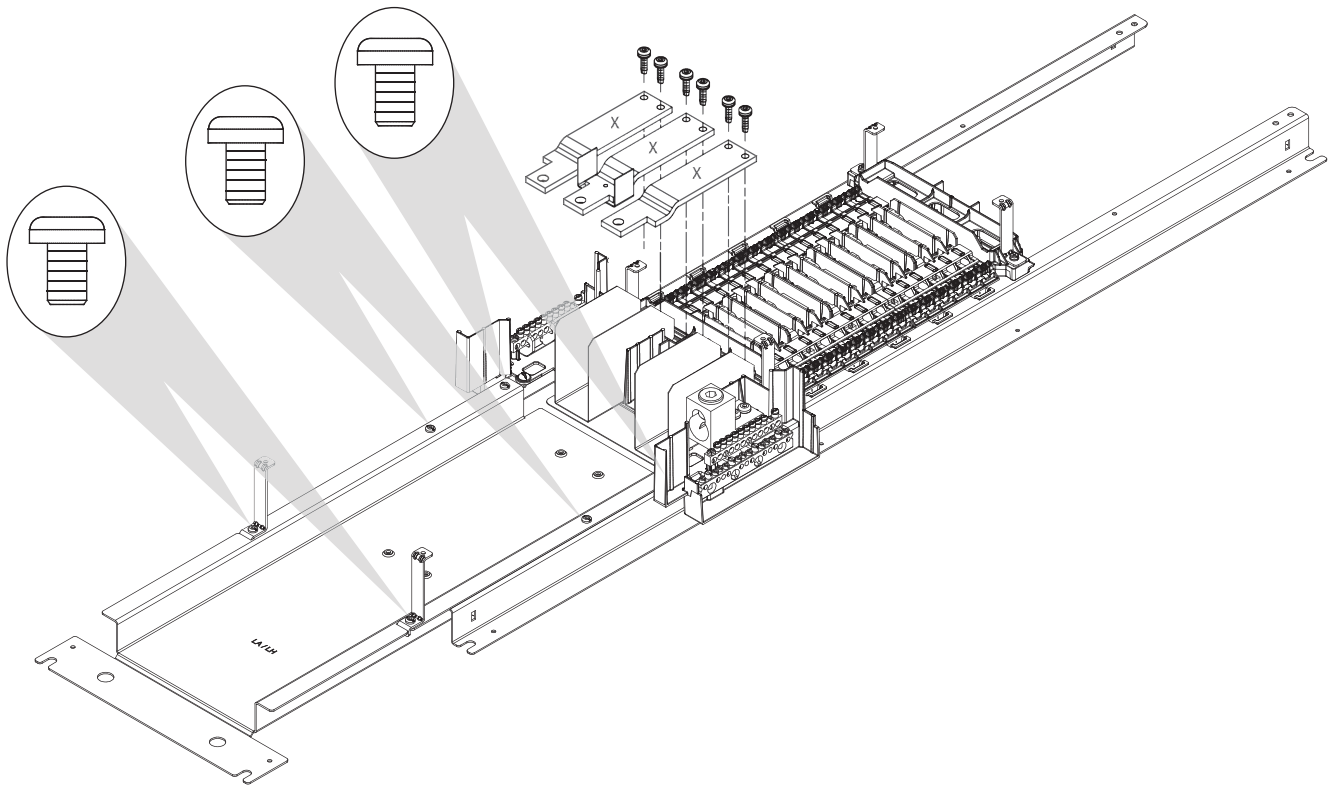
1 Remove the deadfront assembly. Retain the four screws for reuse.

2 Remove the line lugs from the panel bus.
Discard the lugs and screws.



3 Attach the main circuit breaker mounting pan to the main lug end of the panelboard using four 10-32 x 5/16-in. tapping screws included in the kit.

- 4** Attach the two deadfront support brackets to the alignment slots on the main circuit breaker mounting pan (with the top of the brackets pointing to the panelboard) using the remaining two 10-32 x 5/16-in. tapping screws included in the kit.

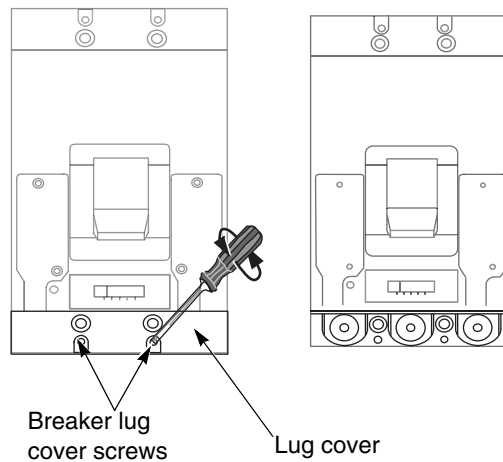


- 5** Attach the hard bus circuit breaker connectors loosely to the panel bus using the six 1/4-20 x 7/8-in. tapping screws included in the kit. The “X” mark on the hard bus connector identifies the top surface. Do not tighten the screws until step 9.

NOTE: For a single-phase panelboard, the B-phase connector is not required.

- 6** Remove the lugs from the end of the circuit breaker that will be connected to the panel. To do so, remove the lug cover screws, then, remove the lug cover.

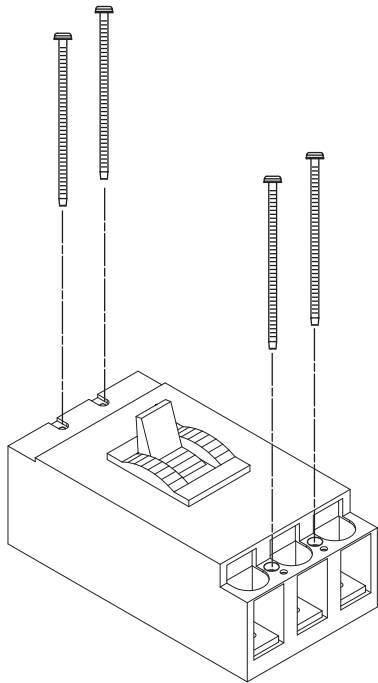
With a 3/8-in. Allen driver, remove the wire binding screw from the breaker lugs. To remove the lugs, remove the lug mounting screws using the included T40 Torx bit in a multifunctional screwdriver. Discard the lugs, lug mounting screws, and wire binding screws.



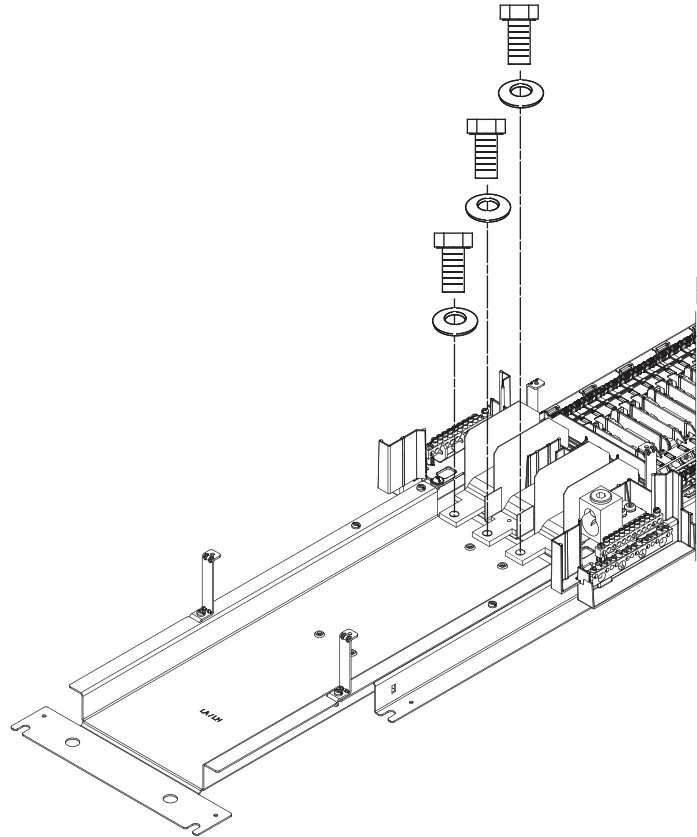
7 NOTE: Ensure that the breaker will be located so that the “ON” end is always toward the top of the panelboard.

Slide the circuit breaker onto the main breaker connectors and attach the connectors using the three 3/8-16 x 3/4-in. screws and three 3/8 washers included in the kit. Do not tighten the bolts until step 9.

2- or 3-Pole Circuit Breaker



NOTE: The circuit breaker is shown in the “OFF” position.



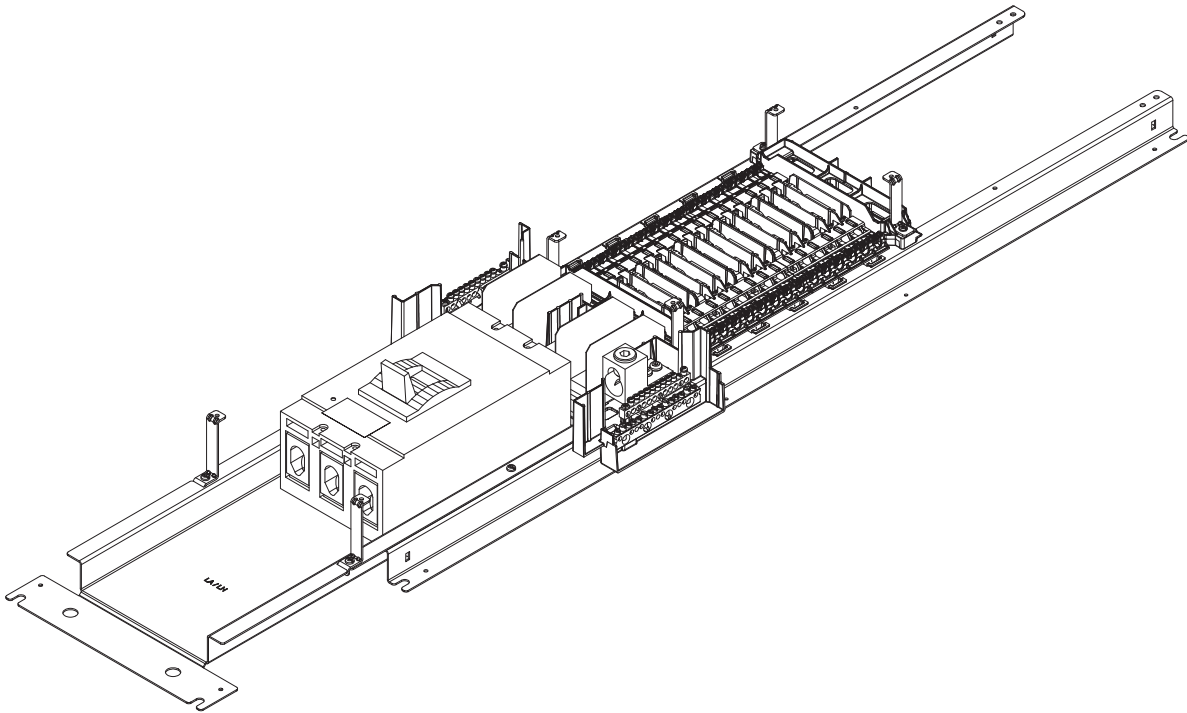
NOTE: Example shown is for bottom-feed applications.

8 NOTE: Discard the screws supplied with the breaker.

Install the main circuit breaker on the mounting pan using the four 12-24 x 3 1/4-in. tapping screws included in the kit.

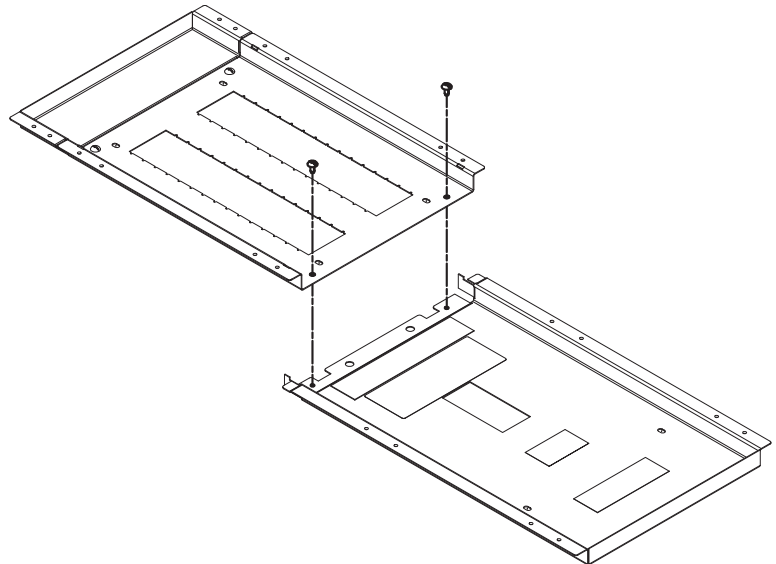
9 NOTE: Do not overtighten the screws.

Tighten the screws from step 5 to 60–65 lb-in (6.8–7.3 N•m) and the screws from step 7 to 250–275 lb-in (28.2–31.0 N•m).

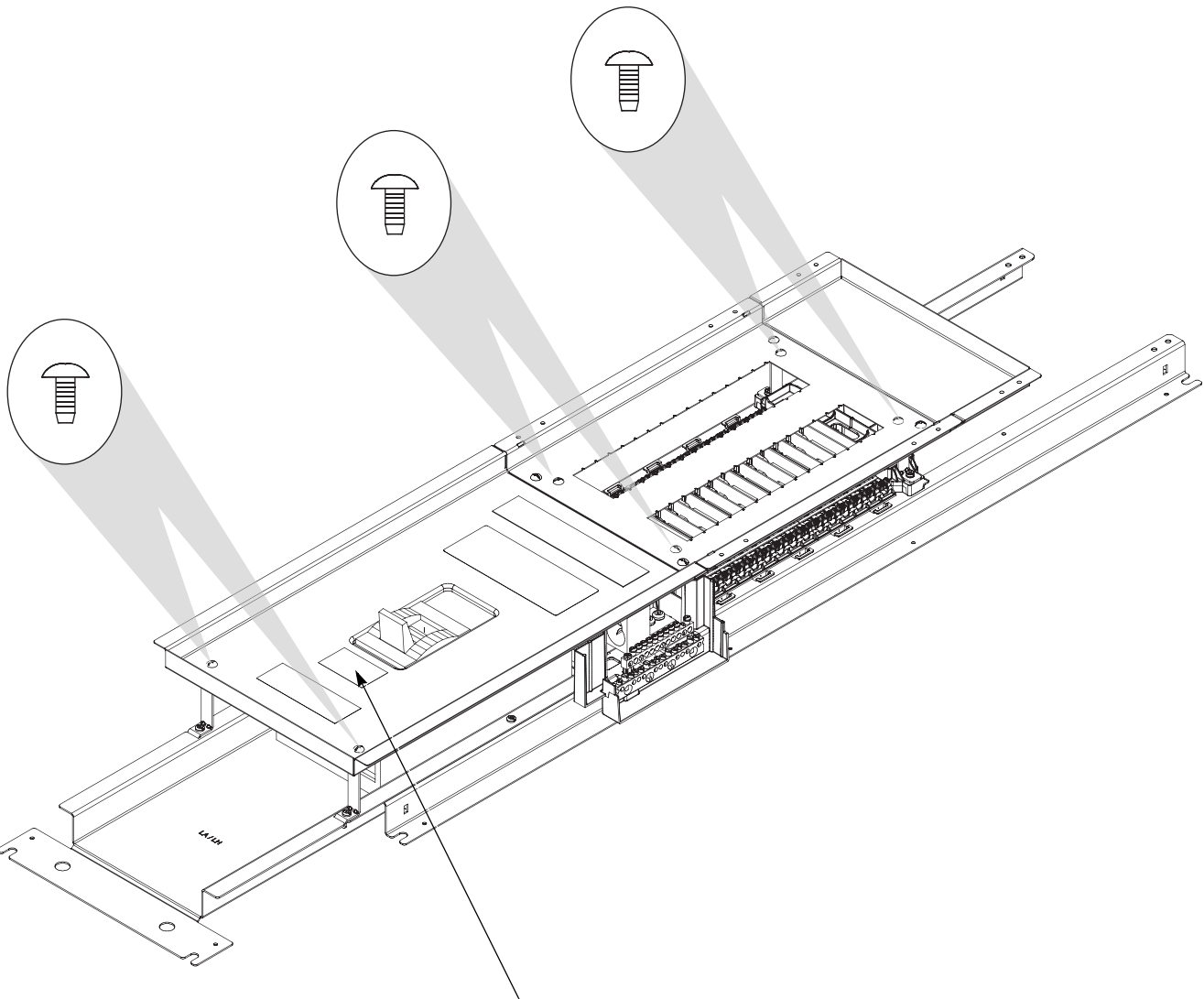


10 Reinstall the lug cover onto the circuit breaker using the same screws removed in step 6.

11 Remove the existing main lug cover (see step 1) and discard, but retain the two screws. Mount the main circuit breaker deadfront cover included in the kit using the same screws.



- 12** Remount the deadfront assembly using the four screws retained from step 1 and the two 10-32 x 7/16-in. tapping screws provided in the kit.



- 13** Peel off the backing of the “MAIN” circuit breaker label. Apply it to the cover near the circuit breaker handle.



For technical support on the installation of this kit, contact the Square D / Schneider Electric Customer Information Center at 1-888-SquareD (1-888-778-2733).

Schneider Electric USA
252 North Tippecanoe
Peru, IN 46970 USA
1-888-SquareD (1-888-778-2733)
www.schneider-electric.us

Square D® is a registered trademark of Schneider Electric. Other trademarks used herein are the property of their respective owners.

Electrical equipment should be installed, operated, serviced, and maintained only by qualified personnel. No responsibility is assumed by Schneider Electric for any consequences arising out of the use of this material.



California Proposition 65 Warning—Nickel Compounds and Bisphenol A (BPA)

Advertencia de la Proposición 65 de California— compuestos de níquel y Bisfenol A (BPA)

Avertissement concernant la Proposition 65 de Californie— composés de nickel et Bisphénol A (BPA)

⚠ WARNING: This product can expose you to chemicals including Nickel compounds, which are known to the State of California to cause cancer, and Bisphenol A (BPA), which is known to the State of California to cause birth defects or other reproductive harm. For more information go to www.P65Warnings.ca.gov.

⚠ ADVERTENCIA: Este producto puede exponerle a químicos incluyendo compuestos de níquel, que son conocidos por el Estado de California como causantes de cáncer, y Bisfenol A (BPA), que es conocido por el Estado de California como causante de defectos de nacimiento u otros daños reproductivos. Para mayor información, visite www.P65Warnings.ca.gov.

⚠ AVERTISSEMENT: Ce produit peut vous exposer à des agents chimiques, y compris composés de nickel, identifiés par l'État de Californie comme pouvant causer le cancer, et Bisphénol A (BPA) reconnus par l'État de Californie comme pouvant causer des malformations congénitales ou autres troubles de l'appareil reproducteur. Pour de plus amples informations, prière de consulter www.P65Warnings.ca.gov.

All trademarks are the property of Schneider Electric SE, its subsidiaries, and affiliated companies.

Schneider Electric USA, Inc.
800 Federal Street
Andover, MA 01810 USA
888-778-2733
www.schneider-electric.us

Todas las marcas comerciales son propiedad de Schneider Electric SE, sus filiales y compañías afiliadas.

Importado en México por:
Schneider Electric México, S.A. de C.V.
Av. Ejercito Nacional No. 904
Col. Palmas, Polanco 11560 México, D.F.
55-5804-5000
www.schneider-electric.com.mx

Toutes les marques commerciales sont la propriété de Schneider Electric SE, ses filiales et compagnies affiliées.

Schneider Electric Canada, Inc.
5985 McLaughlin Road
Mississauga, ON L5R 1B8 Canada
800-565-6699
www.schneider-electric.ca