



[Catalog Home](#)

**Product Datasheet**

**ANDERSON FARGO**

**GC1114A -- Grounding Clamp**



Grounding Clamp, Copper Cable to Rod or Tube, U-bolt style

**Product Specifications**

Series



**GC-111 Series**  
Bronze  
Cable to Rod or Tube  
Grounding Clamps

PDF Catalog Page

[Click HERE to view the web page.](#)

Clamping Hardware Diameter

3/4 - 1 in

Rod / Tube O.D. Size

1 - 1 1/4 in

Rod / Tube Size (Ips)

3/4 - 1 in

Material

Bronze

Hardware Material

Stainless Steel

Dimension H

3.00 in (76.20 mm)

Dimension J

.38 in (9.52 mm)

Dimension L

2.63 in (66.68 mm)

Dimension W

1.13 in (28.58 mm)

Conductor Size Min. / Max.

Cu 8 sol Thru Cu 4 str (7)

Conductor Type

Copper

Minimum Conductor Diameter

0.128 (in)

Maximum Conductor Diameter

0.232 (in)

UPC Code

09635930592

Standard Package

1

Standard Package Unit

Each

Min Order Qty

1

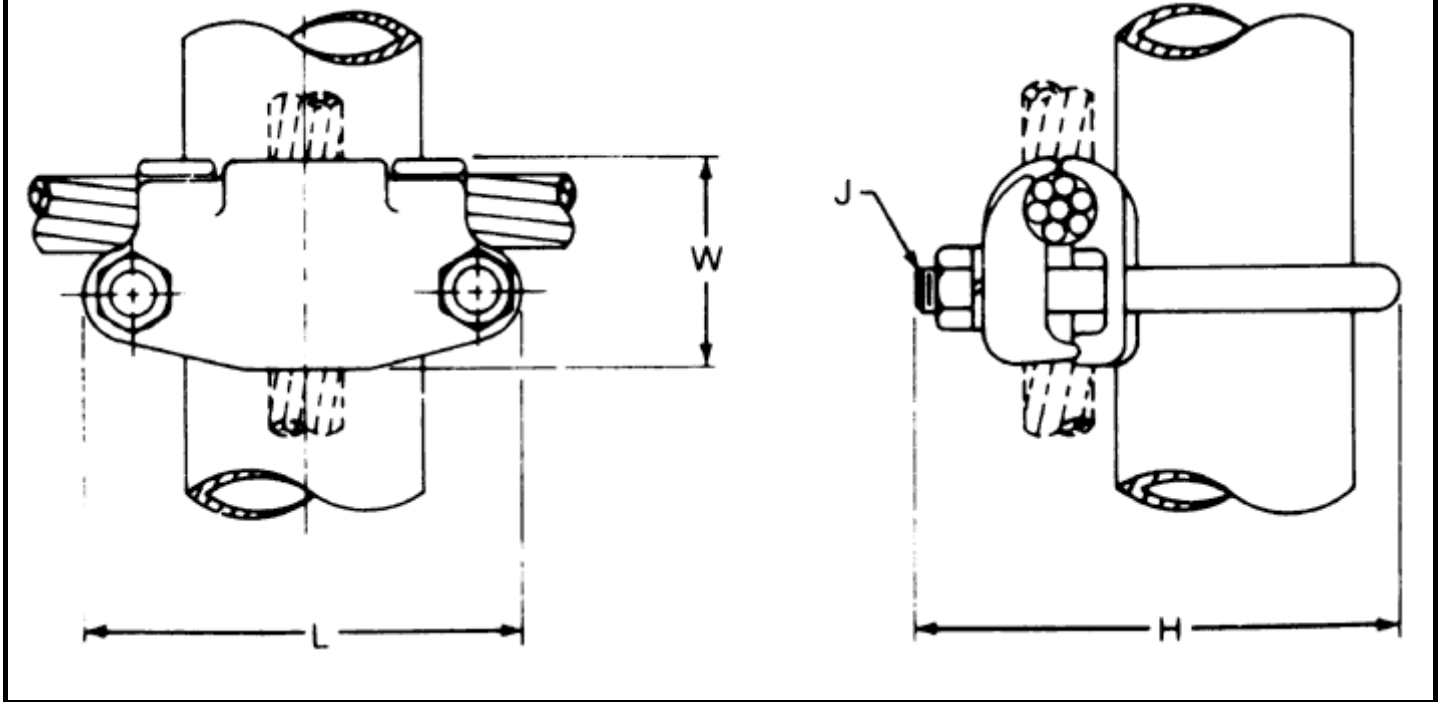
Weight / Ea.

0.784 lbs

Material Type

Non-Standard

**Compressed Product Number**



[Catalog Home](#)



[Warranty Info](#) | [Trademarks](#) | [Terms of Use](#)

*All contents Copyright © 2007 Hubbell Power Systems, Inc. All rights reserved.*

NOTE: Because Hubbell has a policy of continuous product improvement, we reserve the right to change design and specifications without notice.