

Straight Blade Devices
 20A, 125V, 2 Pole, 3 Wire Grounding
 Commercial Specification Grade Style
 Line® Decorator Duplex Receptacles

HUBBELL

Features

- Aesthetic Style Line® decorator design
- Smooth face
- Triple wipe contacts

Ordering Information

| Description | Device Color | UPC | Catalog Number |
|---|--------------|--------------|----------------|
| Smooth face, Style Line® decorator, back and side wired | Ivory | 783585127880 | DR201 |

Listings

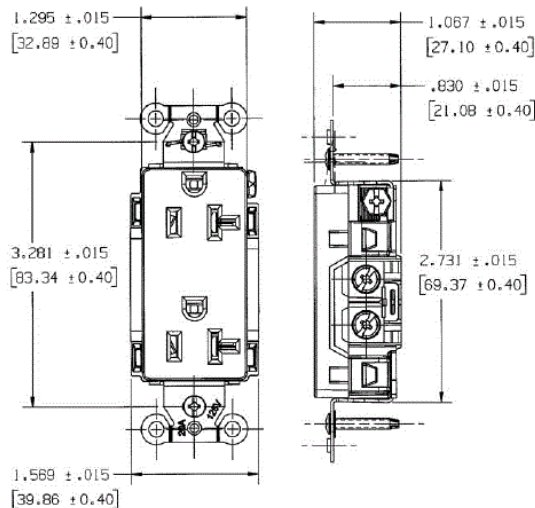
UL Listed to UL498 File No. E2186
 Certified to CSA, C22.2, No. 42
 Fed. Spec. W-C-596
 NEMA® WD-6 Compliant

Specifications

| | |
|---------------------------------|------------------------------------|
| Face | Nylon |
| Base | Nylon |
| Power Contacts | .030 in. (.8) Brass |
| Ground Contacts | Brass |
| Wire Clamp | .062 in. (1.6) Nickel plated steel |
| Terminal Screws | Plated steel |
| Mounting Strap | .040 in. (1) Galvanized steel |
| Automatic Self-grounding Staple | Stainless steel |
| Mounting Screws | Galvanized Steel |

Performance

| | |
|-------------------------|--|
| Electrical | |
| Current Interrupting | Certified for current interrupting at full rated current |
| Dielectric Voltage | Withstands 2,000V minimum |
| Mechanical | |
| Product Identification | Ratings are a permanent part of the device |
| Terminal Accommodation | #12-#10 AWG copper stranded or solid conductor only |
| Terminal Identification | Terminals identified in accordance with UL 498 and CSA |
| Environmental | |
| Flammability | UL 94 V-2 |
| Operating Temperatures | Maximum continuous 75°C; minimum -40°C (w/o impact) |



Accessories

Wallplate or Weatherproof Cover StyleLine® Decorator Opening

Resources

Customer Use Drawing
 eCatalog

Dimensions in Inches (mm)

Hubbell Wiring Device-Kellems • Hubbell Incorporated (Delaware) • 40 Waterview Drive • Shelton, CT 06484

Phone (800) 288-6000 • Fax (800) 255-1031 • Specifications subject to change without notice.

