

TABLE OF CONTENTS

Types ^{HN} KS, ^{HN} KS-3 & ^{HN} SC . . .	A-4	Type ^{HN} HFB-P1	A-22	Type ^{HN} BIPC	A-37
Type ^{HN} KSU	A-5	Type ^{HN} HFB-N	A-23	TERMINAL BLOCKS . .	A-38
Type ^{HN} KSA	A-6	Types ^{HN} KA-U, ^{HN} KKA-U . . .	A-24	U-BLOK™	A-39
Types ^{HN} KVS, ^{HN} KVSU	A-7	Type ^{HN} K2A-U	A-25	U-BLOK™	
Types ^{HN} KVSW, ^{HN} KVS-A . . .	A-8	Types ^{HN} K3A-U, ^{HN} KK3A-U	A-26, A-27	PLATFORMS	A-40
Type ^{HN} QPX	A-9	Types ^{HN} K4A-U, ^{HN} KK4A, ^{HN} K11A-U, ^{HN} K21A, ^{HN} K22A .	A-28	SPEC-BLOK™ . .	A-41, A-42
Type ^{HN} QPX-Y	A-10	Type ^{HN} KAU-KIT	A-29	SPEC-BLOK™	
Type ^{HN} KPA	A-11	Type ^{HN} AMS	A-30	PLATFORMS	A-43
Type ^{HN} KPA-UP	A-12	Type ^{HN} AGSKIT	A-31	Types ^{HN} BDA, ^{HN} BDB, ^{HN} BDC	A-45, A-46, A-47, A-48, A-49
Type ^{HN} KLU	A-13	Type ^{HN} UGSKIT	A-31	Types ^{HN} BIT, ^{HN} BISR	A-50
Types ^{HN} KA, ^{HN} EA	A-14	Type ^{HN} UGSKIT8	A-32	Type ^{HN} BIBS	A-51
Types ^{HN} BGBL, ^{HN} CL50-1 . .	A-15	Type ^{HN} UGS350ULDB . . .	A-32	Type ^{HN} BIBD	A-52
Types ^{HN} QA, ^{HN} QQA	A-16	Type ^{HN} BISR-DB	A-33	Types ^{HN} BIBS-MT, ^{HN} BIBD-MT	A-53
Types ^{HN} Q2A, ^{HN} Q3A	A-17	Type ^{HN} QGFL	A-34	Type ^{HN} 1PL	A-54
Types ^{HN} QB, ^{HN} Q2B	A-18	Type ^{HN} FCB	A-35		
Types ^{HN} QDA & ^{HN} QR	A-19	Types ^{HN} KPU-AC, ^{HN} UCU-AC	A-36		
Types ^{HN} VT, ^{HN} E-C-G	A-20				
Types ^{HN} VA, ^{HN} VVA	A-21				

^{HN} ^{HN} Complies with NFPA 78-86 Ordinary Structures.
^{HN} ^{HN} Complies with NFPA 78-86 Heavy Duty Stacks
 (order: LD for Lead Plating for Heavy Duty Stacks applications.)

⚡ LIGHTNING PROTECTION INFO.

Basic rules for selection are:

- | | | |
|--|--|--|
| <ol style="list-style-type: none"> 1 Must be like material to the conductor (Flexitap out due to steel bolts!). 2 Two bolts to ground rod — minimum. 3 Cable to cable connections can be anything — one bolt, two bolt, compression, etc. 4 Cable to steel structure must have 8 square inch contact with steel. | <ol style="list-style-type: none"> 5. Heavy duty stacks — mechanical only. 6. On all connectors with heavy duty stack rating, we must offer 1/16" thick lead plating as an option. Reason is closest 25 ft. to stack opening must use lead coated product. | <p>⚡
⚡⚡</p> <p>Complies with NFPA 78-86 Ordinary Structures.
Complies with NFPA 78-86 Heavy Duty Stacks
(order: LD for Lead Plating for Heavy Duty Stack applications)</p> |
|--|--|--|

SPECIAL FEATURES

Other features are also available for products listed in price book such as undrilled or special drilling, 45° or 90° pad angles, belling for extra flexible cable, smooth or special

threaded studs, special labeling or packaging, extra long braid, and nuclear certification. REFER TO FACTORY.

**ALL OTHERS
REFER TO FACTORY**

1-800-346-4175

Blue highlighted items are industry standard and most frequently ordered.

**REVOLUTIONARY
BURNDY® DESIGN
MEETS STRICT
UL486B STANDARDS**

**. . . and puts the bite on
aluminum connections
forever!**

For use on all combinations

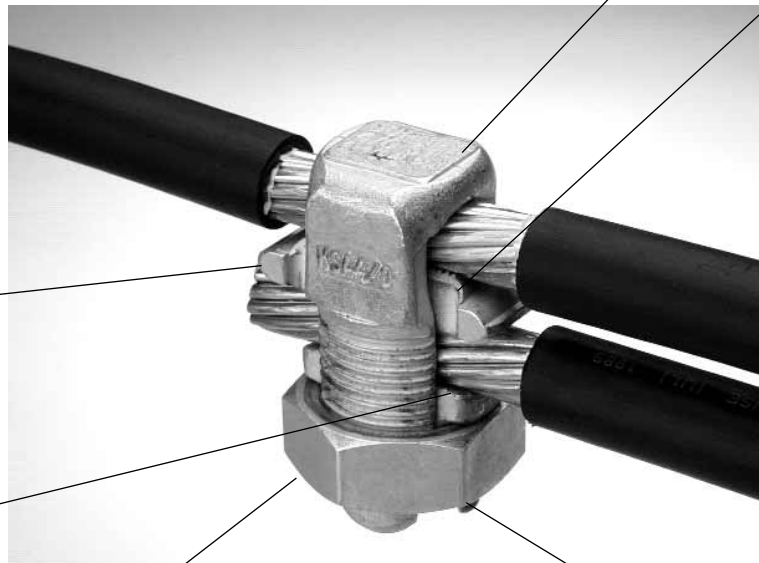
- Aluminum to aluminum
- Aluminum to copper
- Copper to copper

Patented

**Unique “bite and grip”
TRITAP™ SERVIT® contact
delivers safe, long-term
reliability—even without
scratch brushing . . .
without oxide inhibiting
compounds.†**

Available in sizes from #10 through 500 kcmil.

Spacer provides built-in
separation to retard
galvanic corrosion.



Triangular edges bite into
cable to break through
surface oxides:

- provide low contact
resistance.
- produces gas tight seal.

Tin-plated contact
surface inhibits
oxide formation.

Special heat-treated hard, aluminum alloy.



Anti-galling, high efficiency threaded
components result in high contact
force. Easily installed using standard,
everyday wrenches.

†When used in NEC applications of insulated cables only.

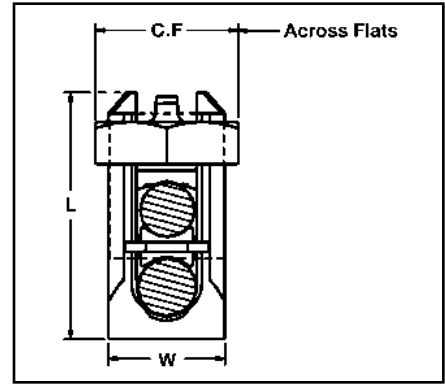
Blue highlighted items are industry standard and most frequently ordered.

TYPES KS & KS-3

SERVIT®

For Copper, Copperweld

Compact, high strength, high copper alloy SERVIT® split-bolt has free-running threads and easy to grip wrench flats. Highly resistant to season cracking and corrosion, the SERVIT® provides maximum pressure and assures a secure connection on all combinations of run and tap conductors. Type KS-3 accommodates 3 maximum size conductors.



Catalog Number	Cross Flats	L	W	Conductor						▲ Recommended Tightening Torque in-lb
				Copper		Copperweld				
				Range for Equal Run and Tap	Min. Tap with Max. Run	Maximum Run and Tap		Type A	Type D	
† KS90	.50	.85	.38	12 Str. - 10 Str.	16 Str.	#10	—	—	—	80
† KS15	.50	.85	.38	10 Str. - 8 Str.	14 Str.	#8	—	—	—	80
† KS17	.63	1.14	.45	8 Str. - 6 Sol.	14 Str.	#6	3 #12	8A	9-1/2D	165
* KS17-3				8 Str. - 6 Sol.	16 Str.	#6	3 #12	8A	9-1/2D	
† KS20	.69	1.20	.51	8 Str. - 4 Sol.	14 Str.	#4	3 #10	6A	8D	
* KS20-3				8 Str. - 4 Sol.	14 Str.	#4	3 #10	6A	8D	275
† KS22	.75	1.50	.60	6 Str. - 2 Sol.	14 Str.	#2	3 #8	4A	6D	
* KS22-3				6 Str. - 2 Sol.	14 Str.	#2	3 #8	4A	6D	
† KS23	.82	1.54	.62	6 Str. - 2 Str.	14 Str.	#1	3 #7	3A	5D	385
† KS25	.94	1.77	.73	4 Str. - 1/0 Str.	14 Str.	2/0	3 #5	2A	4D	
† KS26	1.05	1.94	.82	2 Str. - 2/0 Str.	14 Str.	3/0	7 #7	—	—	
† KS27	1.36	1.86	1.17	1 Str. - 3/0 Str.	8 Sol.	—	—	—	—	500
† KS29	1.36	2.07	1.17	1 Str. - 250	8 Str.	4/0	7 #5	—	—	650
† KS31	1.70	2.51	1.41	1/0 Str. - 350	1/0 Str.	—	19 #8	—	—	
† KS34	1.82	2.79	1.48	2/0 Str. - 500	2/0 Str.	—	19 #6	—	—	825
KS39	2.31	3.29	1.94	4/0 Str. - 750	4/0 Str.	—	19 #5	—	—	1000
KS44	2.56	3.73	2.19	300 - 1000	4/0 Str.	—	—	—	—	1100

▲ Listed torque values are for maximum conductor combinations accommodated. Consult UL486 Tables 7-4, 7-5, 7-6 for smaller conductor combinations.

See note page A-2

* Not UL Listed or CSA Certified.

† In addition to UL Listed for wire connectors and CSA Certified, these items are also UL rated for direct burial.

TYPE SC

SERVIT® COVER

HUG-A-BUG

Used indoors or outdoors, this compact, one-piece plastic SERVIT® cover saves time and material, **eliminates costly taping of split-bolts**. Positive latch snaps easily and quickly over connector, ideal for tight quarters. Self-positioning plastic fingers wrap around wires fully insulating joint. UL Listed for 600 volt indoor application with type KS. Three Covers accommodate a range of 6 SERVIT® sizes through 2/0 Str.



SERVIT® and cover combination can be ordered as follows:

CKS4 KS20 with cover

For other combinations, please contact factory.



Catalog Number	For Use With
SC4	KS17, KS17-3, KS20 KSU17, KSU20
SC2	KS22, KS20-3, KS23, KS22-3, KSA6, KSA4, KSU22, KSU23
SC2/0	KS25, KS26, KSA2, KSA 1/0 KSU25, KSU26

Blue highlighted items are industry standard and most frequently ordered.

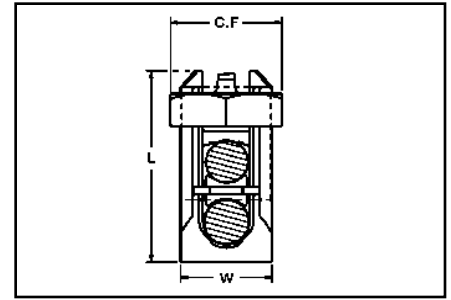
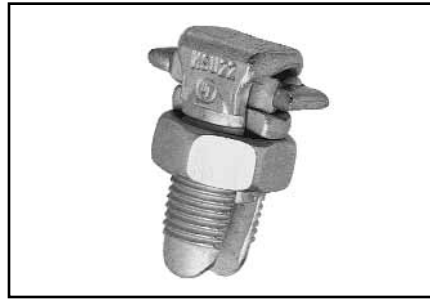
TYPE KSU

UNIVERSAL SERVIT®

For All Combinations of Copper, Aluminum, ACSR, AAAC, 5005, and Steel

Tin-plated, high strength copper alloy SERVIT® with spacer. Spacer separates dissimilar conductors and provides long contact length that prevents high pressure point contacts between run and tap conductors.

Use of PENETROX™ joint compound recommended with Aluminum and ACSR.



Catalog Number	Fig.	Cross Flat	L	W	Conductor								Recommended Tightening Torque in-lb.			
					Run				Tap					Maximum Conductor		
					Copper & Aluminum		ACSR AAAC 5005		Copper & Aluminum		ACSR † AAAC 5005			Sol. BWG	3 Str. BWG	Nom Dia.
					Steel		Steel		Steel		Steel			Steel		
KSU17	2	.62	.92	.42	12 Sol. - 6 Sol.	8 (6-1)	12 Sol. - 6 Sol.	8 (6-1)	8	—	5/32	165				
KSU20	2	.69	1.05	.48	10 Sol. - 4 Sol.	6 (6-1)	10 Sol. - 4 Sol.	6 (6-1)	6	8	7/32					
KSU22	2	.74	1.25	.57	10 Sol. - 2 Sol.	6 (6-1) - 4 (7-1)	10 Sol. - 2 Sol.	6 (6-1) - 4 (7-1)	4	6	1/4	275				
KSU23	2	.81	1.48	.59	8 Str. - 2 Str.	3 (6-1) - 2 (6-1)	8 Sol. - 2 Str.	6 (6-1) - 2 (6-1)	—	4	5/16	275				
KSU25	2	.93	1.77	.70	2 Str. - 1/0 Str.	3 (6-1) - 1 (6-1)	10 Str. - 1/0 Str.	6 (6-1) - 1 (6-1)	—	—	3/8	385				
KSU26	2	1.04	1.93	.79	1/0 Str. - 2/0 Str.	1 (6-1) - 1/0 (6-1)	8 Str. - 2/0 Str.	6 (6-1) - 1/0 (6-1)	—	—	7/16	385				
KSU27	1	1.38	2.34	1.12	1 Str. - 3/0 Str.	1 (6-1) - 2/0 (6-1)	8 Sol. - 3/0 Str.	8 (6-1) - 2/0 (6-1)	—	—	1/2	500				
KSU29	1	1.38	2.50	1.14	1 Str. - 250	2/0 (6-1) - 4/0 (6-1)	8 Str. - 250	6 (6-1) - 4/0 (6-1)	—	—	1/2	650				
KSU31	1	1.69	2.88	1.36	4/0 Str. - 350	3/0 (6-1) - 4/0 (6-1)	4 Str. - 350	4 (6-1) - 4/0 (6-1)	—	—	5/8	650				
KSU34	1	2.00	3.12	1.47	400 - 500	336 (30-7) - 477 (18-1)	2 Str. - 500	2 (6-1) - 477 (18-1)	—	—	—	825				

Accommodates compressed conductors within conductor ranges.

See note page A-2

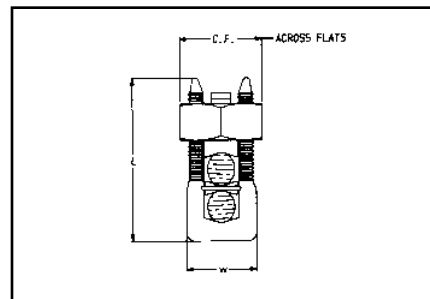
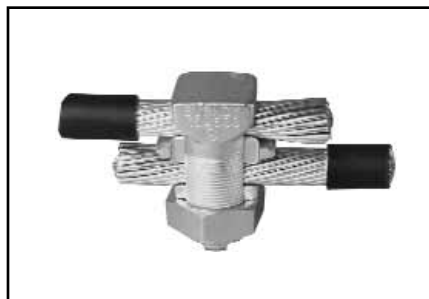
Blue highlighted items are industry standard and most frequently ordered.

TYPE KSA

TRITAP™ SERVIT®

For All Combinations of Aluminum to Aluminum, Aluminum to Copper and Copper to Copper, Aluminum Alloy Tin Plated

PATENTED TRIANGULAR PENETRATION TECHNOLOGY CONTACT



Features and Benefits

- No scratch brushing required.
- No oxide inhibitor required.
- Orients the conductor.
- Provides maximum pressure and assures a secure connection of run and tap conductors.
- Facilitates piercing the aluminum conductor surface oxides.
- UL 486B listed, 90°C rated.
- Provides a low contact resistance.
- Provides equal coefficient of expansion
- Inhibits the reformation of oxides by producing a gas-tight seal.
- Provides improved retention of minimum to maximum conductor combinations.



Catalog Number	Cross Flats	L	W	Alum. to Alum., Alum. to Copper, Copper to Copper Conductors						Recommended ▲ Tightening Torque in-lb
				Max. Run to Max. Tap		Min. Run to Min. Tap		Max. Run to Min. Tap		
KSA6	.75	1.28	.56	#6 Str. (.184)	#6 Str. (.184)	#10 Sol. (.102)	#10 Sol. (.102)	#6 Str. (.184)	#10 Sol. (.102)	165
KSA4	.81	1.38	.62	#4 Str. (.232)	#4 Str. (.232)	#8 Sol. (.129)	#10 Sol. (.102)	#4 Str. (.232)	#10 Sol. (.102)	165
KSA2	.94	1.58	.69	#2 Str. (.292)	#2 Str. (.292)	#6 Sol. (.169)	#8 Str. (.146)	#2 Str. (.292)	#8 Sol. (.146)	275
KSA 1/0	1.00	1.92	.75	#1/0 Str. (.373)	#1/0 Str. (.373)	#2 Str. Compact (.268)	#8 Sol. (.129)	#1/0 Str. (.373)	#8 Sol. (.129)	385
KSA 2/0	1.12	1.92	.88	#2/0 Str. (.418)	#2/0 Str. (.418)	#2 Str. Compact (.268)	#8 Str. (.146)	#2/0 Str. (.418)	#8 Str. (.146)	385
KSA 4/0	1.49	2.54	1.13	#4/0 Str. (.528)	#4/0 Str. (.528)	#2 Str. Compact (.268)	#6 Str. (.184)	#4/0 Str. (.528)	#6 Str. (.184)	500
*KSA 350	1.69	3.24	1.50	350 kcmil (.681)	350 kcmil (.681)	#1/0 Str. Compact (.336)	#4 Str. (.232)	#350 kcmil (.681)	#4 Str. (.232)	650
*KSA 500	2.00	3.62	1.73	500 kcmil (.813)	500 kcmil (.813)	400 kcmil Compact (.659)	#2 Str. Compact (.268)	#500 kcmil (.813)	#2 Str. Compact (.268)	825

▲ Listed torque values are for maximum conductor combinations accommodated. Consult UL486 Tables 7-4, 7-5, 7-6 for smaller conductor combinations.

* Not CSA Certified.

** No scratch brushing or oxide inhibiting compounds required for insulated 90° C max. rated conductor for N.E.C. applications.

Blue highlighted items are industry standard and most frequently ordered.

TYPE KVS

OKLIP™

Mechanical Connector
For Copper & Copperweld



Compact, two-piece, high strength, high copper alloy BURNDY® OKLIP™ recommended for heavy duty connections. Neoprene rings hold DURIUUM™ bolts in place during installation. Installed with ordinary wrench.

Catalog Number	Conductor					Recommended ▲ Tightening Torque in-lb
	Copper		Copperweld			
	Run	Tap	Max. Run and Tap			
			Sol.	Str.	Type V	
KVS26	2 Str. - 2/0 Str.	6 Sol. - 2/0 Str.	3/0	7 #8	—	180
KVS28	1/0 Str. - 4/0 Str.	10 Str. - 4/0 Str.	4/0	7 #6	V3/0	250
KVS31	250 - 350 kcmil	10 Str. - 350 kcmil	—	19 #8	V250	325
KVS34	400 - 500 kcmil	10 Str. - 500 kcmil	—	19 #6	V350	375
KVS40	400 - 800 kcmil	3/0 Str. - 800 kcmil	—	19 #5	—	500
KVS44	500 - 1000 kcmil	3/0 Str. - 1000 kcmil	—	—	—	500

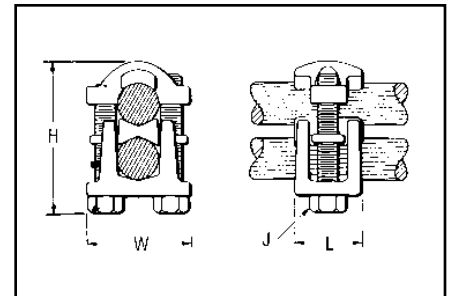
▲ Listed torque values are for maximum conductor combinations accommodated. Consult UL486 Tables 7-4, 7-5, 7-6 for smaller conductor combinations.

↗ See note page A-2

TYPE KVSU

UNIVERSAL OKLIP™

Mechanical Connector
For All Combinations
of Copper, Aluminum,
ACSR, AAAC & 5005



Compact, high strength, tin plated copper alloy two-piece connector with spacer and tin-plated silicon bronze DURIUUM™ hardware. Recommended for heavy duty connections. Spacer separates dissimilar conduc-

tors and provides long contact length. Neoprene ring prevents loss of shorter bolt during installation. Longer peened bolt permits swivel action for easier installation.

Use of PENETROX™ joint compound recommended with aluminum and ACSR.

Catalog Number	Conductor								H	J	L	W	Recommended Tightening Torque in-lb
	Run		Tap		Run		Tap						
	Copper & Alum.	ACSR, AAAC, & 5005	Copper & Alum.	ACSR, AAAC, & 5005	Copper Sol., Copperweld Sol.,	Steel Nom. Dia.	Copper Sol., Copperweld Sol.,	Steel Nom. Dia.					
KVSU26	2 Str. - 2/0 Str.	3 - 2/0	6 Str. - 2/0 Str.	6 - 2/0	1 - 3/0	5/16 - 7/16	#6 - 3/0	3/16 - 7/16	2	5/16	1	1-1/2	180
KVSU28	1/0 Str. - 4/0 Str.	1/0 - 4/0	6 Str. - 4/0 Str.	6 - 4/0	2/0 - 4/0	3/8 - 1/2	#6 - 4/0	5/32 - 1/2	2-3/8	3/8	1-1/8	1-3/4	250
KVSU31	250 - 350 kcmil	4/0 - 300	AWG 6 - 350 kcmil	6 - 300	—	9/16 - 5/8	#6 - 4/0	3/16 - 5/8	2-5/8	1/2	1-3/8	2-1/8	325
KVSU34	400 - 500 kcmil	336.4 - 397.5	AWG 4 - 500 kcmil	5 - 397.5	—	3/4 - 3/4	#4 - 4/0	7/32 - 3/4	3	1/2	1-1/2	2-1/4	375
KVSU40	400 - 800 kcmil	4/0 - 800	AWG 4/0 - 800 kcmil	3/0 - 715.5	—	3/4 - 1	—	1/2 - 1	3-1/2	1/2	1-5/8	2-1/2	500
KVSU44	500 - 1000 kcmil	4/0 - 1000	AWG 4/0 - 1000 kcmil	4/0 - 900	—	7/8 - 1-1/8	—	1/2 - 1-1/8	4	3/8	2	3	500

Accommodations compressed conductors within diameter range.

↗ See note page A-2

Blue highlighted items are industry standard and most frequently ordered.

TYPE KVS

OKLIP™

Mechanical Connector
For Copper and Copperweld.

Similar to OKLIP™ Type KVS except for a high copper alloy spacer that separates run and tap conductors. Provides high contact pressure, confines conductor strands, and assures vibration-proof connection. Longer peened bolt, permits swivel action for easier installation. Silicon bronze DURIMUM™ hardware.



Catalog Number	Conductor		Recommended Tightening Torque in-lb
	Run	Tap	
KVSW26	2 Str. - 2/0 Str.	6 Sol. - 2/0 Str.	180
KVSW28	1/0 Str. - 4/0 Str.	6 Sol. - 4/0 Str.	250
KVSW31	250 - 350 kcmil	4 Sol. - 350 kcmil	325
KVSW34	400 - 500 kcmil	4 Str. - 500 kcmil	375
KVSW40	400 - 800 kcmil	AWG 4/0 - 800 kcmil	500
KVSW44	500 - 1000 kcmil	250 - 1000 kcmil	500

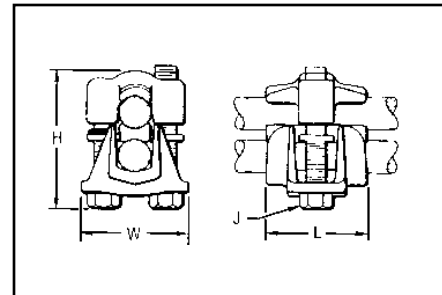
See note page A-2

TYPE KVS-A

ALUMINUM OKLIP™

Mechanical Connector
For All Combinations of
Copper, Aluminum†, ACSR†,
AAAC and 5005

Three-piece, high-conductivity, non-copper bearing aluminum alloy connector with thick spacer and aluminum hardware. Hardware in KVS26A and KVS28A is stainless steel. Recommended for heavy duty dissimilar metal applications. Spacer separates conductors and provides long contact length. Belled entrances prevent chafing, permit easier assembly of conductors. Longer peened bolt permits swivel action for easier installation. Neoprene ring prevents loss of shorter bolt. PENETROX™ joint compound recommended with aluminum and ACSR.



Catalog Number	Conductor				Recommended Tightening Torque in-lb
	Run		Tap		
	Copper, & Alum.†	ACSR†, AAAC, & 5005	Copper, & Alum.†	ACSR†, AAAC & 5005	
KVS26A	2 Str. - 2/0 Str.	AWG 4 - 2/0	10 Str. - 2/0 Str.	6 - 2/0	180
KVS28A	1/0 Str. - 4/0 Str.	AWG 1/0 - 4/0	10 Str. - 4/0 Str.	6 - 4/0	240
KVS31A	250 - 350 kcmil	AWG 4/0 - 336.4	6 Str. - 350 kcmil	6 - 336.4	300
KVS34A	400 - 500 kcmil	336.4 - 397.5	4 Str. - 500 kcmil	5 - 397.5	300
KVS40A	400 - 800 kcmil	336.4 - 715.5	3/0 Str. - 800 kcmil	3/0 - 715.5	300
KVS44A	500 - 1000 kcmil	397.5 - 900	3/0 Str. - 1000 kcmil	3/0 - 900	480

† Accommodates compressed conductors within diameter range.

See note page A-2

**THESE CONNECTORS
CAN ACCOMMODATE
ACSR CONDUCTORS
OVER ARMOR ROD WITHIN
THE DIAMETER RANGE
INDICATED.**

APPLICATION OVER
ARMOR ROD

Catalog Number	Conductor Range by Diameter			H	J	L	W
	Min. Run Dia.	Min. Tap Dia.	Max. Run & Tap Dia.				
KVS26A	.281	.116	.447	2-1/4	5/16	1-1/4	1-5/8
KVS28A	.360	.116	.564	3	3/8	1-5/8	2-1/16
KVS31A	.565	.184	.681	3-1/16	1/2	1-15/16	2-7/16
KVS34A	.728	.216	.814	3-9/16	1/2	2-5/16	2-5/8
KVS40A	.728	.470	1.036	4-1/16	1/2	2-7/16	2-7/8
KVS44A	.806	.470	1.162	4-7/8	5/8	2-1/2	3-1/8

Blue highlighted items are industry standard and most frequently ordered.

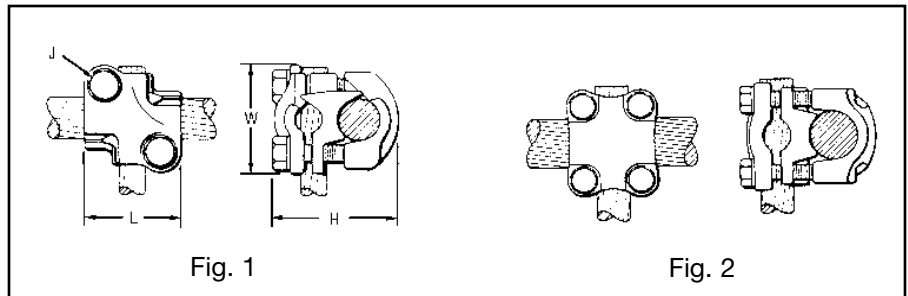
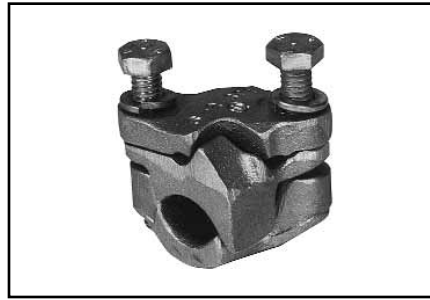
TYPE QPX

VERSITAP™

Parallel Clamp For Copper, Copperweld, Copperweld-Copper

The VERSITap™ Type QPX is recommended for Tee, Cross, Parallel, Butt and Tap connections. Range-taking, only 10 connectors required to accommodate conductor sizes from #6 Str. to 1000 kcmil. Edges are rounded for easy taping. Made of high strength, high-conductivity copper alloy and silicon bronze DURIUM™ hardware.

* For various configurations, see page A-10.



Catalog Number	Copper Conductor		Fig. No.	H	J	L	W	Recommended Tightening Torque in-lb ▲
	Run	Tap						
QPX2C2C	6 Str. - 2 Str.	6 Str. - 2 Str.	1	1-1/2	5/16	1-5/16	1-3/8	150
QPX282C	1 Str. - 4/0 Str.	6 Str. - 2 Str.		2-1/16			1-9/16	
QPX2828		1 Str. - 4/0 Str.		3/8	1-13/16	1-13/16		
QPX342C	250 - 500 kcmil	6 Str. - 2 Str.			2-3/8	5/16	1-3/8	
QPX3428		1 Str. - 4/0 Str.	2-3/4	3/8	1-3/4	2-1/16		
QPX3434		250 - 500 kcmil	3		2-1/16	2-3/16		
QPX442C	500 - 1000 kcmil	6 Str. - 2 Str.	1	2-11/16	5/16	1-3/8	2-1/4	500
QPX4428		1 Str. - 4/0 Str.	2-7/8	3/8			1-13/16	
QPX4434		250 - 500 kcmil			3-1/16	2-1/16		
QPX4444		500 - 1000 kcmil	2	3-7/16			2-5/8	

▲ Listed torque values are for maximum conductor combinations accommodated. Consult UL486 Tables 7-4, 7-5, 7-6 for smaller conductor combinations.

↗ See note page A-2.

Catalog Number	Conductor			
	Run		Tap	
	Copperweld	Copperweld - Copper	Copperweld	Copperweld - Copper
QPX2C2C	5 Sol. - 3 #7	8A - 4A	5 Sol. - 3 #7	8A - 4A
QPX282C	7 #9 - 7 #5	3A - 3/0 V	5 Sol. - 3 #7	8A - 4A
QPX2828	7 #9 - 7 #5	3A - 3/0 V	7 #9 - 7 #5	3A - 3/0 V
QPX342C	19 #9 - 19 #6	4/0 EK	5 Sol. - 3 #7	8A - 4A
QPX3428			7 #9 - 7 #5	3A - 3/0 V
QPX3434			19 #9 - 19 #6	4/0 EK
QPX442C			5 Sol. - 3 #7	8A - 4A
QPX4428	19 #6	—	7 #9 - 7 #5	3A - 3/0 V
QPX4434			19 #9 - 19 #6	4/0 EK
QPX4444			19 #6	

Blue highlighted items are industry standard and most frequently ordered.

TYPE QPX-Y

UNIVERSAL VERSITAP™

Universal Parallel Clamp For Copper and Aluminum

High copper alloy cast connector, tin-plated for use with copper or aluminum cable. Makes parallel, tap, tee, cross or end-to-end connections. Edges rounded for easy taping. PENETROX™ joint compound recommended.

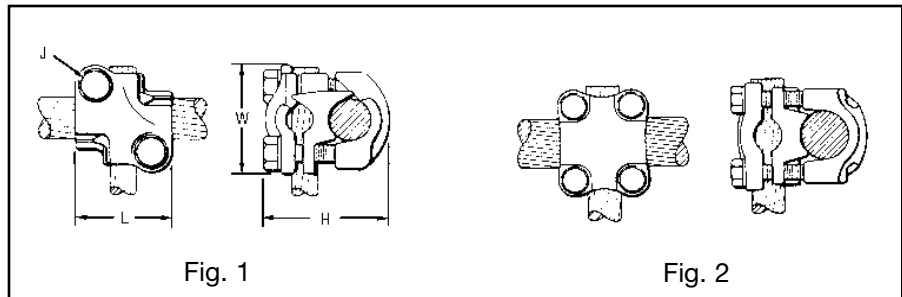


Fig. 1

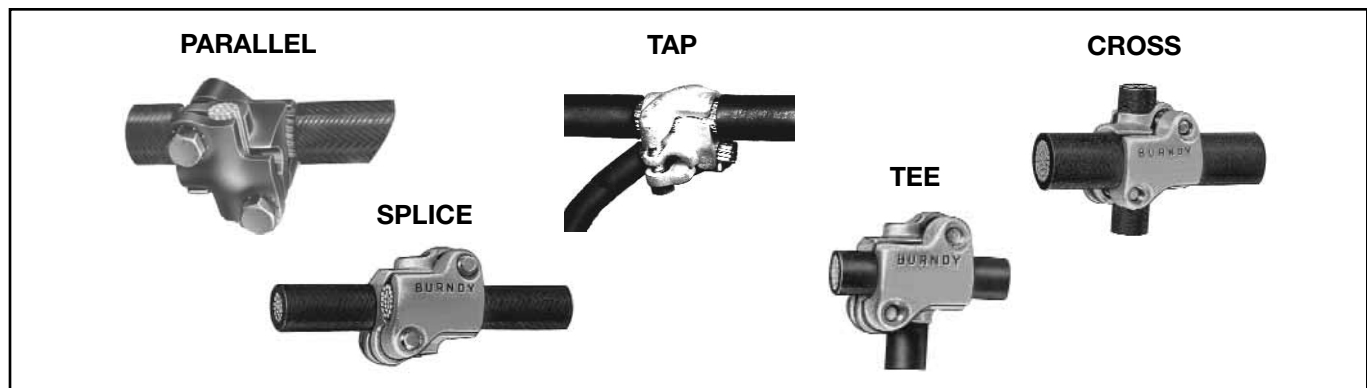
Fig. 2

Catalog Number	Conductor		Fig. No.	H	J	L	W	Recommended Tightening Torque in-lb ▲
	Aluminum or Copper							
	Run	Tap						
QPX2C2C-Y	6 Str. - 2 Str.	6 Str. - 2 Str.	1	1-5/8	5/16	1-1/2	1-5/8	150
QPX282C-Y	1/0 Str. - 4/0 Str.	6 Str. - 2 Str.		1-7/8			1-7/8	
QPX2828-Y	1/0 Str. - 4/0 Str.	1/0 Str. - 4/0 Str.	1	2	3/8	2	2-1/8	250
QPX342C-Y	250 - 500 kcmil	6 Str. - 2 Str.		2-1/4			5/16	
QPX3428-Y		1/0 Str. - 4/0 Str.	2	2-1/2	3/8	2	2-1/2	375
QPX3434-Y	200 - 500 kcmil	200 - 500 kcmil		2-7/8			2-1/2	
QPX4444-Y	750 - 1000 kcmil	750 - 1000 kcmil	2	3-7/8	1/2	3-1/2	3-1/2	500

▲ Listed torque values are for maximum conductor combinations accommodated. Consult UL486 Tables 7-4, 7-5 7-6 for smaller conductor combinations.

✎ See note page A-2.

APPLICATION VARIATIONS



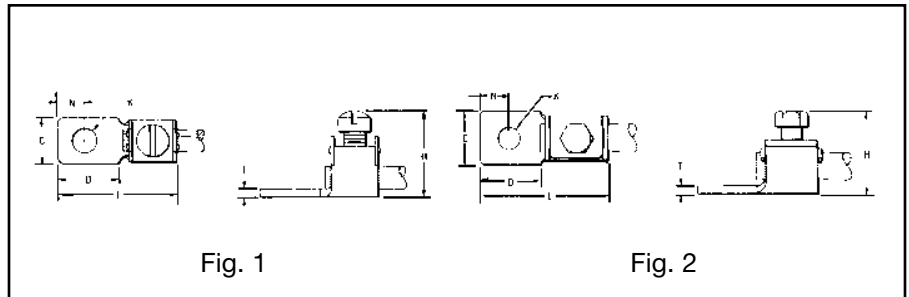
Blue highlighted items are industry standard and most frequently ordered.

TYPE KPA

SCRULUG™

For Copper Cable

High copper alloy tin-plated terminal for joining a wide range of cable to equipment pads or terminal blocks. Especially good in light industrial applications. The tongue and body are a one-piece design. The pressure bar equalizes pressure over the conductor and prevents the screw from cutting into the cable.



Catalog Number	Wire Range	Fig. No.	C	D	H	K	Stud Hole Size	L	N	T	Recommended Tightening Torque in-lb
KPA8C	14 Sol. - 8 Str.	1	.38	.47	.72	.21	.10	.95	.22	.06	12
KPA4C	14 Sol. - 4 Str.	1	.50	.59	.94	.27	1/4	1.20	.30	.06	45
KPA25	4 Str. - 1/0 Str.	2	.75	.81	1.25	.33	5/16	1.70	.41	.10	180
KPA28	1/0 Str. - 4/0 Str.	2	.97	1.12	1.66	.40	3/8	2.29	.53	.13	250
KPA34	4/0 Str. - 500 kcmil	2	1.38	1.38	2.44	.54	1/2	3.14	.75	.20	375

NOTE: For unplated version add "UNPL" suffix.

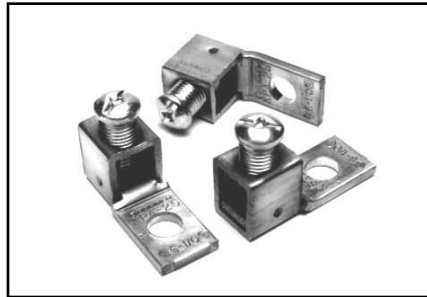
Blue highlighted items are industry standard and most frequently ordered.

TYPE KPA-UP

SCRULUG™

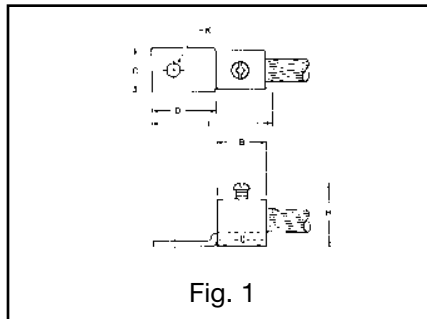
For Copper Cable

High copper alloy terminal for joining a wide range of cable to equipment pads or terminal blocks. Plain copper finish.



Features and Benefits

- One piece design.
 - ◇ Superior torque and pull out performance.
- Convenient range taking design.
 - ◇ Reduces catalog numbers. One catalog number accommodates several conductor sizes.
- High conductivity copper alloy.
 - ◇ Long lasting, reliable contact.
- Compact design.
 - ◇ Easy to use.
- Slot Robertson screw, hex head, hex socket bolt.
 - ◇ No special installation tools required. Eliminates over-torquing/potential conductor damage.



Catalog Number	Wire Range	Fig. No.	C	D	H	K	Stud Hole Size	L	N	T	Hardware	Recommended Tightening Torque in-lb
KPA8CUP	14 Sol. - 6 Str.	1	0.38	0.51	0.81	0.20	#10	1.01	0.24	0.07	1/4 Dia. Slot Robertson	35
KPA4CUP	14 Sol. - 4 Str.		0.50	0.71	1.00	0.28	1/4	1.28	0.33	0.07	5/16 Dia. Slot Robertson	45

NOTE: For tin plating drop "-UP" suffix and add "-TP" suffix (example: KPA4CTP).
For use in grounding applications with a green screw, contact factory. Listed for grounding per UL467.

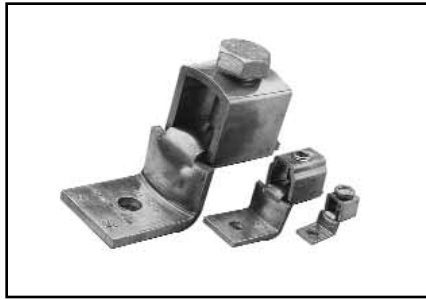
Blue highlighted items are industry standard and most frequently ordered.

TYPE KLU

SCRULUG™

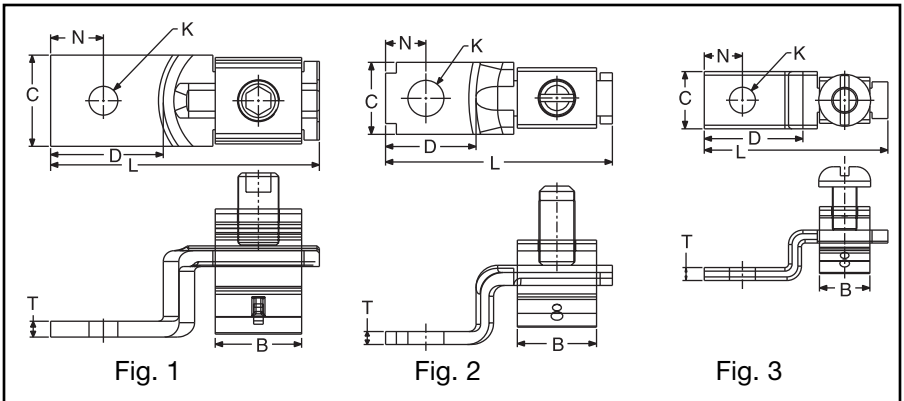
For Copper Cable —
Offset Tongue — Non-Plated

High copper alloy terminal with offset tongue for joining a wide range of cable to equipment pads or bar. Easy to install with screwdriver or wrench. Connector is reusable. Plain copper finish.



Features and Benefits

- Convenient range-taking design.
 - ◇ Reduces catalog numbers.
 - One conductor accommodates several conductor sizes.
- High conductivity copper alloy.
 - ◇ Long lasting reliable contact.
- Compact design.
 - ◇ Easy to use. Reduces labor time.
- Slot Robertson screw, hex head/hex socket bolt.
 - ◇ No special installation tools required.
 - Eliminates over-torquing/potential conductor damage.



① Catalog Number	Conductor	Fig. No.	B (MM/IN)	C (MM/IN)	K (MM/IN)	L (MM/IN)	N (MM/IN)	T (MM/IN)	Recommended Tightening Torque in Lbs.	Hardware	Stud Hole Size	Quantity/Package	Strip Length (In.)
KLU25	14 Sol. 1.63 (0.64) Dia. to	3	6.4	8.0	3.6	26.0	6.3	1.9	20	No. 8 - 32 Slotted Round Machine Screw	#6	100	7/16
KLU25TP	10 Sol. 2.60 (1.02) Dia. Cu		.26	.31	.14	1.02	.21	.07					
KLU35	14 Sol. 1.63 (.0641) Dia. to	2	8.4	10.0	6.0	31.6	5.6	1.8	45	1/4 UNF Slotted Set Screw	#10	100	5/8
KLU35TP	6 Str. 4.67 (.184) Dia. Cu		.33	.39	.20	1.24	.22	.07					
KLU70	8 Sol. 3.28 (.129) Dia. to		11.8	12.0	6.7	39.6	6.4	2.1	50	5/16 UNF Slotted Set Screw	1/4	100	3/4
KLU70TP	2 Str. 7.42 (.292) Dia. Cu		.46	.47	.26	1.56	.25	.08					
KLU125	2 Str. 7.42 (.292) Dia. to	1	16.9	16.9	6.5	50.5	10.8	2.7	50	3/8 UNF Slotted Set Screw	1/4	25	15/16
KLU125TP	1/0 Str. 9.44 (.372) Dia. Cu		.63	.63	.26	1.99	.43	.11					
KLU175	4 Str. 5.89 (.232) Dia. to	1	18.0	19.0	10.0	66.0	11.0	4.0	124	3/8 UNF Socket/Hex Screw	3/8	12	1
KLU175TP	3/0 Str. 11.94 (.470) Dia. Cu		.71	.75	.39	2.20	.43	.16					
KLU225	2 Str. 7.42 (.292) Dia. to		19.6	26.2	8.5	65.0	13.0	3.1					
KLU225TP	4/0 Str. 13.4 (.528) Dia. Cu	.77	.99	.33	2.56	.51	.12						
KLU300	1/0 Str. 9.44 (.372) Dia. to	1	25.2	26.2	10.0	72.0	13.1	3.1	325	5/8 UNF Socket/Hex Screw	3/8	6	1-5/8
KLU300TP	350 kcmil 17.30 (.681) Dia. Cu		1.0	.99	.39	2.83	.52	.12					
KLU400	1/0 Str. 9.44 (.372) Dia. to		29.6	38.0	10.0	104.0	23.0	4.5					
KLU400TP	500 kcmil 207 (.813) Dia Cu	1.16	1.60	.39	4.09	.91	.18						

NOTES:
 ① Suffix "-TP" on catalog number denotes tin plate (example: KLU400TP).
 2 Material: Copper alloy.

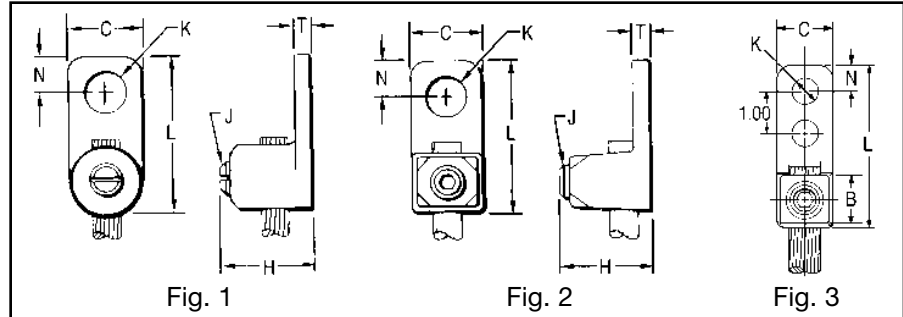
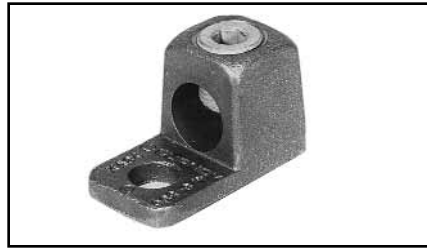
Blue highlighted items are industry standard and most frequently ordered.

TYPE KA

KA-LUG™

For Copper Cable

Compact, economical, high copper alloy terminal for joining a wide range of cable to equipment pads or terminal blocks.



Catalog Number	Conductor	Fig. No.	C	H	J	K	Stud Hole Size	L	N	T	Recommended Tightening Torque in-lb
KA8C	14 Sol. - 8 Str.	1	3/8	5/8	#12	7/32	#10	13/16	3/16	3/32	25
KA4C	14 Sol. - 4 Str.		9/16	3/4	5/16	9/32	1/4	1-1/8	1/4	7/64	45
KA25	4 Str. - 1/0 Str.	2	3/4	15/16	1/2	27/64	3/8	1-11/16	3/8	1/8	200
KA25-2TC 38	4 Str. - 1/0 Str.	3	3/4	15/16	1/2	27/64	3/8	2-13/16	3/8	1/8	200
KA28	1 Str. - 4/0 Str.	2	15/16	1-1/4	5/8	27/64	3/8	1-15/16	7/16	3/16	275
KA34	4/0 Str. - 500 kcmil		1-3/8	2-3/32	13/16	9/16	1/2	2-9/16	9/16	9/32	375

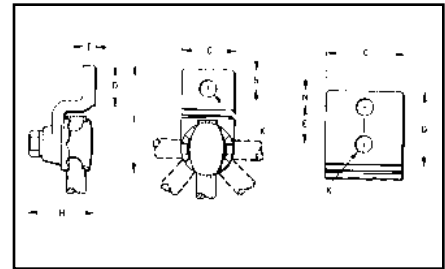
▲ Listed torque values are for maximum conductor sizes accommodated. Consult UL486 Tables 7-4, 7-5, 7-6 for smaller conductor sizes.

TYPE EA

VERSILUG™

For Copper Cable

Compact, high copper alloy terminal for joining a wide range of cable to equipment pads or bar. **Clamping element adjustable to several angles.** One-wrench installation.



Catalog Number	Conductor	No. of Holes in Pad	C	D	E	H	K	Stud Hole Size	L	N	T	Recommended Tightening Torque in-lb
EA2C	8 Sol. - 2 Str.	1	13/16	1-1/16	—	1-3/8	7/16	3/8	2-1/2	13/32	1/4	150
EA25	2 Str. - 1/0 Str.	1	7/8	1-1/8	—	1-7/16		3/8	2-11/16	7/16		180
EA28	1/0 Str. - 4/0 Str.	1	1-1/16	1-3/8	—	1-3/4	9/16	3/8	3-3/16	17/32	5/16	250
EA28-2N		2 NEMA		3-5/8	1-3/4			1/2	5-1/8	5/8		
EA34	250 - 500 kcmil	1	1-3/8	1-5/8	—	2-1/4	9/16	1/2	4	13/16	3/8	375
EA34-2N		2 NEMA		3-5/8	1-3/4			1/2	5-5/8	5/8		

* "N" indicates NEMA standard stud holes.

▲ Listed torque values are for maximum conductor sizes accommodated. Consult UL486 Tables 7-4, 7-5, 7-6 for smaller conductor sizes.

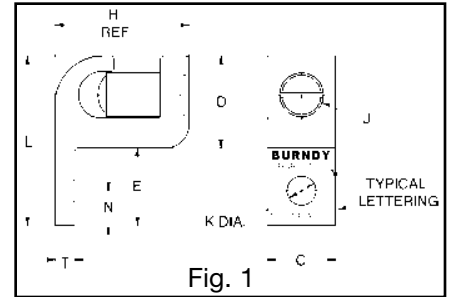
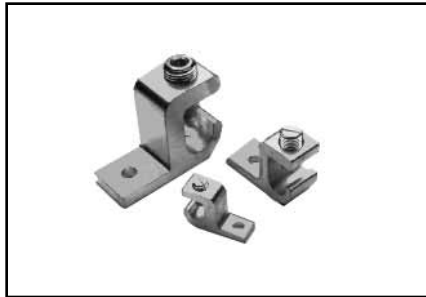
Blue highlighted items are industry standard and most frequently ordered.

TYPE BGBL

LAY-IN QIKLUG™

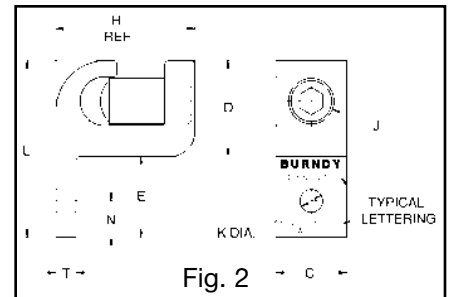
*UL Listed 90° C, 600 V

The Lay-In QIKLUG™, Type BGBL is manufactured from high strength 6061-T6 aluminum, and is ideally suited for grounding and bonding applications accommodating both copper and aluminum conductor sizes #14 AWG to 250 kcmil.



Features and Benefits

- * UL486B listed, AL9CU rated.
 - ◇ For copper and aluminum conductor combinations up to 90° C, 600 Volt applications.
- UL Recognized for grounding and bonding.
 - ◇ Ensures reliability.
- Electro-tin plated.
 - ◇ Provides low contact resistance.
- Lay-in feature.
 - ◇ Eases installation.



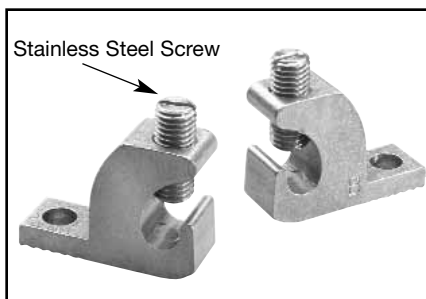
Catalog Number	Fig. No.	Conductor Range	Dimensions									Hex Size
			C	D	E	H Ref.	Bolt Size J	K Dia.	L	N	T	
BGBL-4	1	AWG 14 - 4	.39 [10]	.62 [16]	.48 [12]	.79 [20]	1/4 - 28	.22 [6]	1.10 [28]	.20 [5]	.13 [3]	SLOT
BGBL-1/0	1	AWG 14 - 1/0	.63 [16]	.80 [20]	.83 [21]	1.16 [29]	3/8 - 24	.28 [7]	1.63 [41]	.44 [11]	.19 [5]	SLOT
BGBL-250	2	AWG 6 - 250 kcmil	.88 [22]	1.18 [30]	1.00 [30]	1.72 [44]	7/16 - 18	.28 [7]	2.18 [55]	.45 [11]	.25 [6]	7/32

NOTE: PEN-A PENETROX™ inhibitor is recommended for all aluminum terminations.

TYPE CL50-1

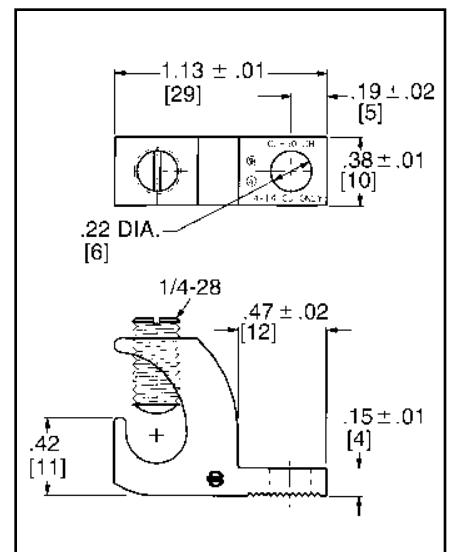
COPPER LAY-IN QIKLUG™ FOR COPPER

The Lay-In QIKLUG™ is manufactured from high strength pure electrolytic copper to ensure maximum strength and conductivity. UL467 Listed for direct burial in earth or concrete. The open-faced design allows for fast lay-in of the conductor without the need for cutting or breaking.



Catalog Number	Wire Range Copper	Stud Hole
CL50-1	#14 - #4 Cu	#10
CL50-1TN*	#14 - #4 Cu	#10

*-TN version is tin plated. Commonly used for solar panel grounding



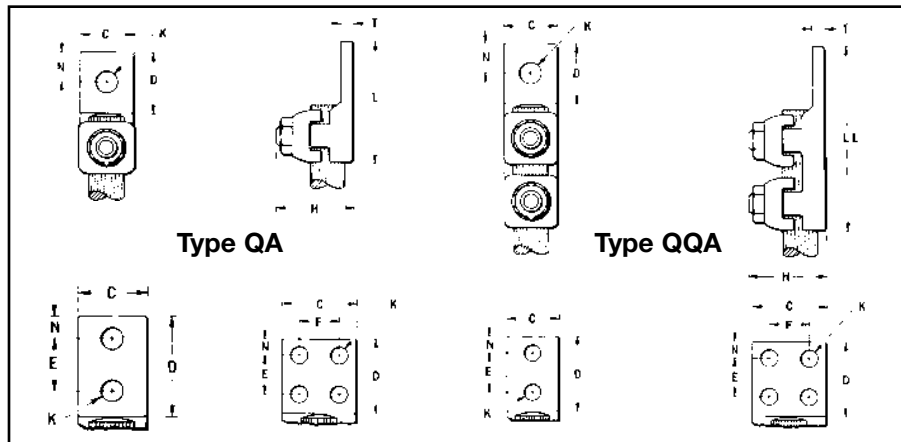
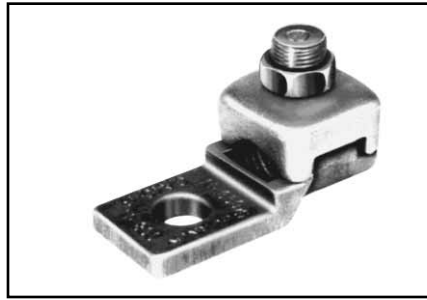
Blue highlighted items are industry standard and most frequently ordered.

TYPES QA, QQA

QIKLUG™

For Copper Cable

Type QA heavy duty, compact, high copper alloy terminal for joining a wide range of cable to equipment pads or bar. Fast one-wrench installation. Type QQA heavy duty, high copper alloy terminal for joining cable to equipment pads or bar. Twin clamping elements secure joint vibration and flexing. One-wrench installation.



Catalog Number*		Conductor		No. of Holes in Pad	C	D	E & F	H	K	Stud Hole Size	L	LL	N	T	Recommended Tightening Torque in-lb
Type QA	Type QQA	Commercial	Navy												
QA8C-B		14 Sol. - 8 Str.	4 - 14	1	9/16	9/16	—	11/16	7/32	#10	1-3/8	2-5/16	9/32	5/32	75
QA8C-2B				2		1-1/4	5/8				5/16				
QA4C-B	QQA4C	8 Str. - 4 Str.	23 - 40	1	5/8	5/8	—	3/4	9/32	1/4	1-7/16	2-3/8	5/16	3/16	110
QA4C-2B	QQA4C-2			2		1-3/16	5/8								
QA1C-B	QQA1C	4 Str. - 1 Str.	50 - 75	1	5/8	3/4	—	1	11/32	5/16	1-3/4	2-13/16	11/32	7/32	150
QA1C-2B	QQA1C-2			2		1-9/16	7/8								
QA26-B	QQA26	1/0 Str. - 2/0 Str.	100 - 125	1	13/16	1	—	1-3/16	13/32	3/8	2	3-3/16	7/16	7/32	180
QA26-2B	QQA26-2			2		1-15/16	1								
QA28-B	QQA28	3/0 Str. - 4/0 Str.	150 - 200	1	1	1-1/16	—	1-5/16	13/32	3/8	2-1/4	3-9/16	17/32	1/4	250
QA28-2B				2		2	1								
QA28-2N*	QQA28-2N*			2 NEMA		3-1/8	1-3/4		9/16	1/2	4-5/16	5-5/8	5/8		
QA31-B	QQA31	250 - 350 kcmil	250 - 350	1	1-3/16	1-3/8	—	1-11/16	17/32	1/2	2-11/36	4-1/8	11/16	5/16	325
QA31-2B				2		1-31/32	1								
QA31-2N*	QQA31-2N*			2 NEMA		3	1-3/4		9/16		4-7/16	5-7/8	5/8		
QA34-B	QQA34	400 - 500 kcmil	400 - 500	1	1-3/8	1-5/8	—	2	17/32	1/2	3-3/16	4-7/8	13/16	5/16	375
QA34-2B				2		2	—								
QA34-4B				4	1-7/8	1-15/16	1		13/32	3/8	3-9/16	—	7/16		
QA34-2N*	QQA34-2N*			2 NEMA	1-3/8	3-3/32	1-3/4		7/16	1/2	3-1/2	—	7/16		
QA40-B		600 - 800 kcmil	650 - 800	1	1-5/8	1-7/8	—	2-7/16	11/16	5/8	3-11/16	—	27/32	3/8	500
QA40-2N*	QQA40-2N*			2 NEMA		3	1-3/4								
	QQA40-4N			4 NEMA	3	3	1-3/4		9/16	1/2	4-14/16	7-3/32	5/8		
QA44-B		850 - 1000 kcmil	1000	1	1-7/8	2	—	2-3/4	11/16	5/8	3-15/16	—	1	1/2	600
QA44-2N*	QQA44-2N			2 NEMA		3	—								
QA44-4N*				4 NEMA	3	3-1/16	1-3/4		9/16	1/2	5	7-1/8	5/8		
QA46-B		1100 - 1500 kcmil	1300	1	2-1/8	2-1/8	—	3-1/8	13/16	3/4	4-3/8	—	1-1/16	9/16	600
QA46-2N*				2 NEMA		3	1-3/4								

* "N" indicates NEMA standard stud holes.
All 4N items ✓ See note page A-2

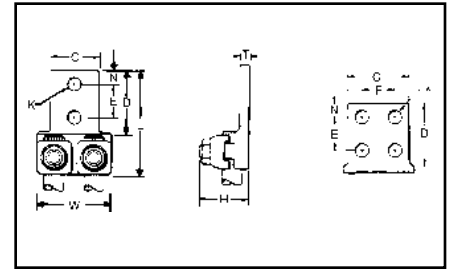
Blue highlighted items are industry standard and most frequently ordered.

TYPE Q2A

QIKLUG™

For Copper Cable

Compact, high copper alloy terminal for joining two cables to equipment pads or bars. Each element accommodates a wide range of cable. One-wrench installation.



Catalog Number*	Conductor	No. of Holes in Pad	C	D	E & F	H	K	Stud Hole Size	L	N	T	W	Recommended Tightening Torque in-lb ▲		
Q2A1C-2	4 Str. - 1 Str.	2	1-1/2	1-7/8	1	1-1/16	7/16	3/8	2-7/8	7/16	7/32	1-13/16	150		
Q2A26-2N	1/0 Str. - 2/0 Str.	2 NEMA	1-5/8	3-1/8	3/4	1-3/16	9/16	1/2	4-3/16	5/8	7/32	1-15/16	180		
Q2A28-2N	3/0 Str. - 4/0 Str.	2 NEMA	1-7/8						4-3/8					1-15/16	250
Q2A28-4N		4 NEMA	3												
Q2A31-2N	250 - 350 kcmil	2 NEMA	2-3/8						4-1/2					2-1/8	325
Q2A31-4N		4 NEMA	3	5/16	3										
Q2A34-2N	400 - 500 kcmil	2 NEMA	2-1/2			4-11/16	3	375							
Q2A34-4N		4 NEMA	3	3/8	3-3/4										
Q2A40-2N	600 - 800 kcmil	2 NEMA	3			5	7/16	500							
Q2A40-4N		4 NEMA		3-1/4	4-11/32										
Q2A44-4N	850 - 1000 kcmil	4 NEMA	3-1/4			3-1/4	2-3/4	5-1/4	1/2	4-11/32	11/16	5	600		
Q2A46-4N	1100 - 1500 kcmil	4 NEMA	3-1/2	3-1/8	5-1/2										

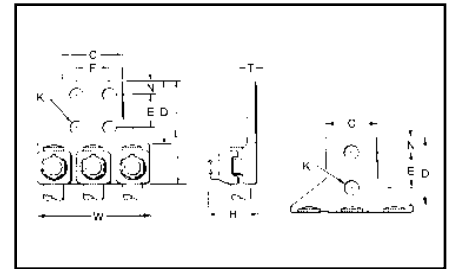
* "N" indicates NEMA standard stud holes. All 4N items ✓ See note page A-2

TYPE Q3A

QIKLUG™

For Copper Cable

Compact, high copper alloy terminal for joining three cables to equipment pads or bar. Each element accommodates a wide range of cable. One-wrench installation.



Catalog Number*	Conductor	No. of Holes in Pad	C	D	E & F	H	K	Stud Hole Size	L	N	T	W	Recommended Tightening Torque in-lb			
Q3A28-2N	3/0 Str. - 4/0 Str.	2 NEMA	1-7/8	3-1/8	1-3/4	1-3/8	9/16	1/2	4-5/16	5/8	1/4	3-3/16	250			
Q3A28-4N		4 NEMA	3						4-3/8							
Q3A31-2N	250 - 350 kcmil	2 NEMA	2-3/8											4-7/16	5/16	4-1/16
Q3A31-4N		4 NEMA	3													
Q3A34-2N	400 - 500 kcmil	2 NEMA	2-1/2	3	1-15/16	9/16	1/2	4-3/4	5/8	3/8	4-9/16	375				
Q3A34-4N		4 NEMA	3													
Q3A40-4N	600 - 800 kcmil	4 NEMA	3-1/4	3-1/4	2-7/16	9/16	1/2	5	7/16	5-13/16	500					
Q3A44-4N	850 - 1000 kcmil	4 NEMA										3-1/4	2-3/4	5-1/4	1/2	6-5/8
Q3A46-4N	1100 - 1500 kcmil	4 NEMA	3-1/2	3-1/8	5-1/2	11/16	7-7/8	600								

* "N" indicates NEMA standard stud holes.

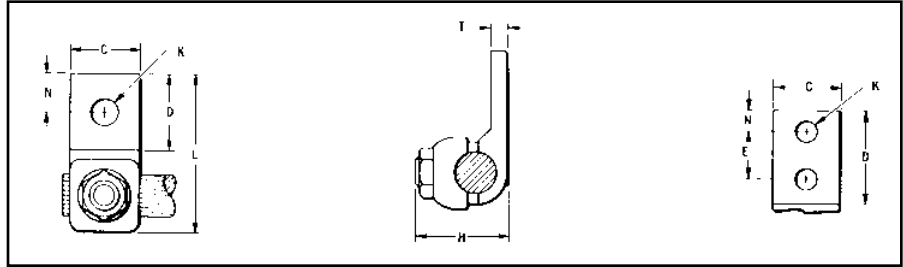
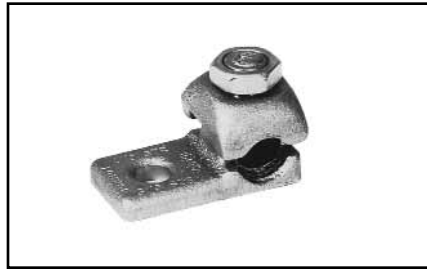
Blue highlighted items are industry standard and most frequently ordered.

TYPE QB

QIKLUG™

For Copper Cable

Compact, high copper alloy side entrance terminal for joining a range of cable at right angles to terminal blocks. One-wrench installation.



Catalog Number*	Conductor	No. of Holes in Pad	C	D	E	H	K	Stud Hole Size	L	N	T	Recommended Tightening Torque in-lb ▲
QB8C	14 Sol. - 8 Str.	1	9/16	9/16	—	7/8	7/32	#10	1-1/8	9/32	5/32	75
QB4C	8 Str. - 4 Str.	1	11/16	27/32	—	13/16	9/32	1/4	1-3/8	11/32	1/4	110
QB1C	4 Str. - 1 Str.	1		13/16	—	1			7/32		150	
QB26	1/0 Str. - 2/0 Str.	1	13/16	1	—	1-1/32	13/32	3/8	1-13/16	7/16	7/32	180
QB28	3/0 Str. - 4/0 Str.	1	1	1-1/16	—	1-5/16			2-1/16	17/32	1/4	250
QB31-2N	250 - 350 kcmil	2 NEMA	13/16	3-1/4	1-3/4	1-11/16	9/16	1/2	4-1/2	5/8	5/16	325

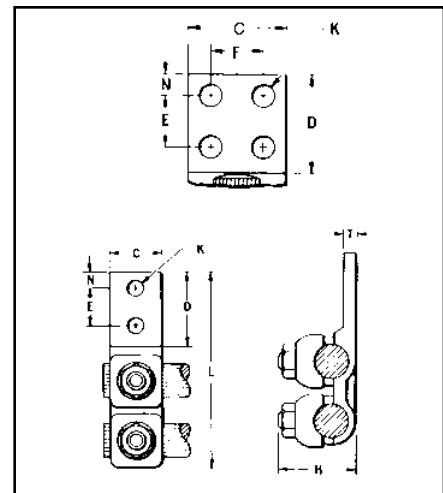
*"N" indicates NEMA standard stud holes.

TYPE Q2B

QIKLUG™

For Copper Cable

Compact, high copper alloy terminal for joining two cables at right angles to a single terminal block. Each element accommodates a range of cable. One-wrench installation.



Catalog Number*	Conductor	No. of Holes in Pad	C	D	E & F	H	K	Stud Hole Size	L	N	T	Recommended Tightening Torque in-lb
Q2B28-2N	3/0 Str. - 4/0 Str.	2 NEMA	1-7/8	3-1/8	1-3/4	1-3/8	9/16	3/8	5-3/16	5/8	1/4	250
Q2B31-2N	250 - 350 kcmil	2 NEMA	2-3/8	3-3/16	1-11/16	1-3/8		1/2	5-7/8		5/16	325
Q2B40-4N	600 - 800 kcmil	4 NEMA	3	3-1/16	1-3/8	2-5/16		1	6-11/16		7/16	500

*"N" indicates NEMA standard stud holes.
All 4N items ✓ See note page A-2

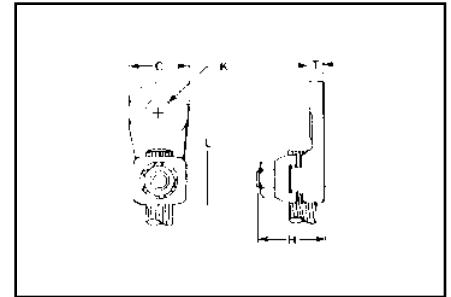
Blue highlighted items are industry standard and most frequently ordered.

TYPE QDA

QIKLUG™

For Copper Cable

Compact, high copper alloy terminal for joining a wide range of cable to equipment studs. Provides low contact resistance when gripped between two contact nuts. One-wrench installation.



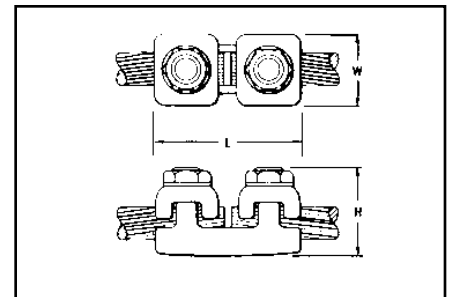
Catalog Number	Conductor		C	H	K	Stud Hole Size	L	T	Recommended Tightening Torque in-lb
	Commercial	Navy							
QDA8C	14 Sol. - 8 Str.	3 - 14	1	11/16	7/16	3/8	1-7/8	3/16	75
QDA4C	8 Str. - 4 Str.	23 - 40		3/4				7/32	110
QDA1C	4 Str. - 1 Str.	50 - 75		1				9/32	150
QDA26	1/0 Str. - 2/0 Str.	100 - 125	1-1/4	1-3/16	9/16	1/2	2-1/2	5/16	180
QDA28	3/0 Str. - 4/0 Str.	150 - 200		1-5/16					2-5/8
QDA31	250 - 350 kcmil	250 - 350	1-1/2	1-11/16	11/16	5/8	3	3/8	325
QDA34	400 - 500 kcmil	400 - 500	1-7/8	2	13/16	3/4	3-5/8		375
QDA40	600 - 800 kcmil	650 - 800	2-1/8	2-5/16	1-1/16	1	4-3/16		500

TYPE QR QIKLINK™

SPLICE OR REDUCER

For Copper Cable to Cable

High copper alloy splicer/reducer for joining a range of cable end to end. Neat, compact easy to tape installation. One-wrench installation.



Catalog Number	Conductor Either Size	H	L	W	Recommended Tightening Torque in-lb
QR4C	8 Str. - 4 Str.	3/4	1-11/16	5/8	110
QR1C	4 Str. - 1 Str.	1-1/16	1-15/16	11/16	150
QR26	1/0 Str. - 2/0 Str.	1-3/16	2-1/8	13/16	180
QR28	3/0 Str. - 4/0 Str.	1-3/8	2-3/8	1	250
QR31	250 - 350 kcmil	1-11/16	2-5/8	1-1/4	325
QR34	400 - 500 kcmil	1-15/16	3-1/16	1-7/16	375
QR40	600 - 800 kcmil	2-7/16	3-5/8	1-7/8	500

See note page A-2.

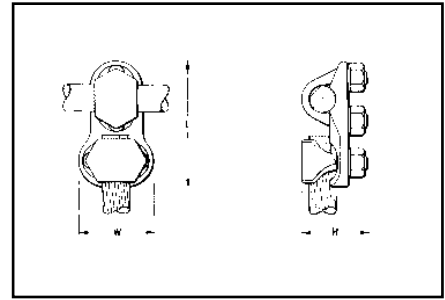
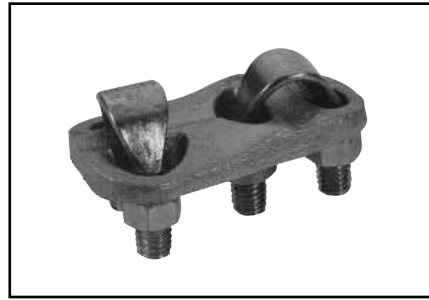
Blue highlighted items are industry standard and most frequently ordered.

TYPE VT

VARITAP™ T-CONNECTOR

For Copper Cable to Cable

High copper alloy T-connector for cable run, cable tap. V-bolt clamping elements accommodate large range of cable and are particularly suited for extra flexible cable. One-wrench installation.



Catalog Number	Conductor		H	L	W	Recommended Tightening Torque in-lb	
	Run	Tap				Run	Tap
VT2C2C	8 Sol. - 2 Str.	8 Sol. - 2 Str.	1-5/16	2-5/16	1-5/16	275	275
VT2525	6 Sol. - 1/0 Str.	6 Sol. - 1/0 Str.	1-5/8	2-5/8	1-7/16	385	385
VT2825	1/0 Str. - 4/0 Str.	6 Sol. - 1/0 Str.		3-1/8	1-1/4	250	385
VT2828		1/0 Str. - 4/0 Str.	1-11/16	1-11/16	250	250	
VT3025	1/0 Str. - 300 kcmil	6 Sol. - 1/0 Str.	1-7/8	3-3/8	1-3/8	325	385
VT3030		1/0 Str. - 300		3-5/16	1-15/16	325	325
VT3425	300 - 500 kcmil	6 Sol. - 1/0 Str.	2-5/16	3-11/16	1-1/2	375	385
VT3428		1/0 Str. - 4/0 Str.		3-1/2	1-11/16	375	250
VT3430		1/0 Str. - 300		3-5/8	1-15/16	375	325
VT3434		300 - 500		3-3/4	2-1/4	375	375
VT4040	500 - 800 kcmil	500 - 800	2-9/16	4-1/2	2-5/8	500	500
VT4425	750 - 1000 kcmil	6 Sol. - 1/0 Str.	2-7/8	4-5/16	2	500	385
VT4428		1/0 Str. - 4/0 Str.		4-1/8	2	500	250
VT4834	1500 - 2000 kcmil	300 - 500	4-1/4	5-1/4	5	600	375

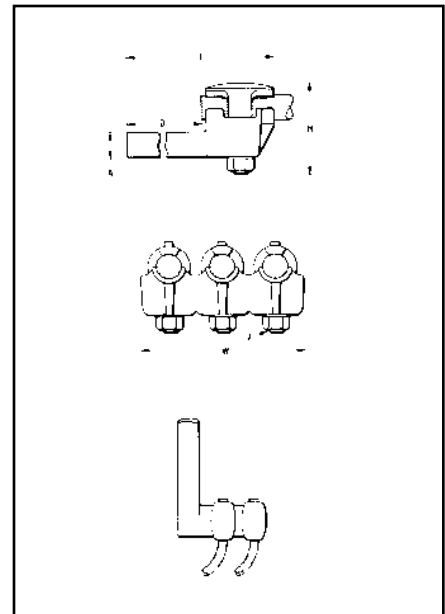
See note page A-2

TYPE E-C-G

TRANSFORMER TAP ADAPTER

For Copper

Multi-tap, range-taking cast copper alloy connector designed to take 2, 3 or 4 conductors from a single secondary transformer outlet.



Catalog Number	No. of Conductors	Conductor Size	A Dia.	D	H	J	L	W	Recommended Tightening Torque in-lb
E2C34G1	2	1/0 Sol. - 500 kcmil	.78	3-3/4	2-7/8	1/2-13	6-1/4	3-1/2	480
E3C34G1	3							5-1/4	
E4C34G1	4							6-7/8	

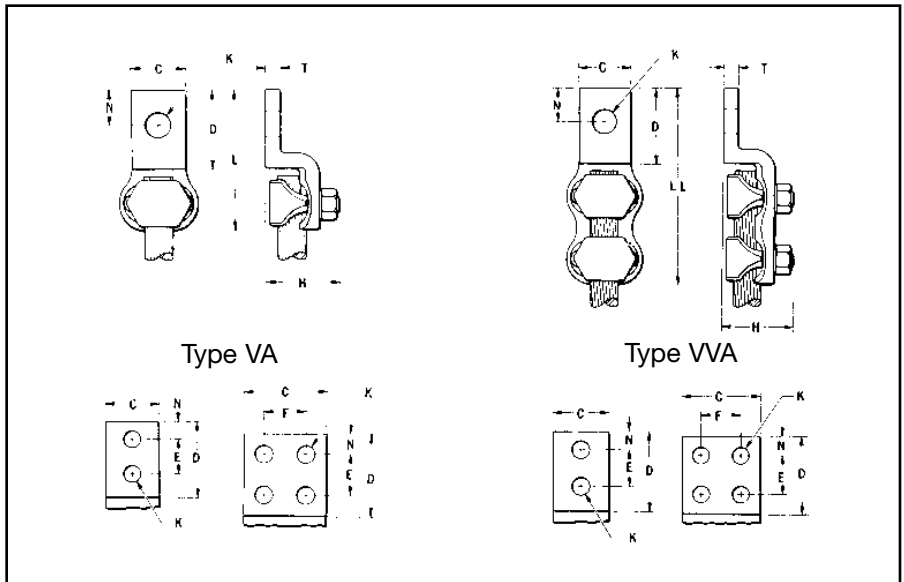
Blue highlighted items are industry standard and most frequently ordered.

TYPES VA, VVA

VARILUG™

For Copper Cable

High copper alloy terminal for joining a wide range of cable to equipment pads or bar. Particularly suitable for use on extra flexible cable. One-wrench installation. Type VVA, twin elements secure joint against vibration and flexing. Particularly recommended for use on extra flexible cables. One-wrench installation.



Catalog Number*		Conductor	No. of Holes in Pad	C	D	E & F	H	K	Stud Hole Size	L	LL	N	T	Recommended Tightening Torque in-lb
Type VA	Type VVA													
VA2C	VVA2	8 Sol. - 2 Str.	1	13/16	1-1/4	—	1-1/2	7/16	3/8	2-3/4	4-1/16	13/32	1/4	275
VA25	VVA25	6 Sol. - 1/0 Str.		7/8	1-5/16	—	1-7/8			2-7/8	4-5/16	7/16		385
VA28	VVA28	1/0 Str. - 4/0 Str.	1	1-1/16	1-1/2	—	2-1/4	7/16	1/2	2-7/8	4-1/8	17/32	5/16	250
VA28-2N	VVA28-2N		2 NEMA		3-1/2	1-3/4		9/16		4-15/16	6-3/6	5/8		
VA30	VVA30	1/0 Str. - 300 kcmil	1	1-1/8	1-5/8	—	2-3/16	7/16	3/8	3-1/4	4-5/8	5/8	5/16	325
VA30-2N	VVA30-2N		2 NEMA		3-9/16	1-3/4		5-3/16		6-9/16	5/8			
VA34	VVA34	300 - 500 kcmil	1	1-3/8	2	—	3-11/32	9/16	1/2	3-13/16	5-5/16	13/16	3/8	375
VA34-2N	VVA34-2N		2 NEMA		3-5/8	1-3/4				5-3/8	6-7/8	5/8		
VA34-4N	VVA34-4N		4 NEMA		3	3-5/8				1-3/4	5-3/8	6-7/8		
VA40	VVA40	500 - 800 kcmil	1	1-5/8	2-5/16	—	2-7/8	11/16	5/8	4-1/2	6-3/8	15/16	3/8	500
VA40-2N	VVA40-2N		2 NEMA		3-5/8	1-3/4		9/16		5-13/16	7-11/16	5/8		
VA40-4N	VVA40-4N		4 NEMA		3	2-5/8		1-3/4		9/16	5-13/16	7-11/16		

*"N" indicates NEMA standard stud holes.
All 4N items See note page A-2

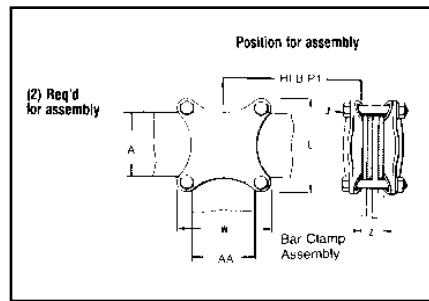
Blue highlighted items are industry standard and most frequently ordered.

TYPE HFB-P1

BAR CLAMP ASSEMBLY COMPONENTS

For Copper Bar

To build your own high strength clamp assembly for multiple flat bar using type HFB-P1 bar clamps and clamping hardware, the following tables have been provided. The clamp assembly eliminates the need for drilling the flat bar and is used in indoor and outdoor applications.



One Clamp Half							
Bar Clamp Bar			"J" Bolt Dia.	L	W	Z	Recommended Tightening Torque in-lb
Catalog Number	Run 'A'	Tap 'AA'					
HFB22P1	2.00	2.00	3/8	4.38	4.38	*	240
HFB33P1	3.00	3.00	3/8	4.38	4.38	*	240
HFB42P1	4.00	2.00	3/8	5.75	5.75	*	240
HFB44P1	4.00	4.00	1/2	5.75	5.75	*	480
HFB63P1	6.00	3.00	1/2	7.75	4.75	*	480
HFB66P1	6.00	6.00	5/8	8.12	8.12	*	660
HFB88P1	8.00	8.00	3/4	10.50	10.50	*	1990

*Z=Space between the bar clamp contact surfaces

Bar Clamp Assembly Components †									
Copper Bus Bar Width (Inches)		Silicon Bronze Clamping Hardware							
		Bar Clamp		Bolts		Nuts		Split Lock Washers	
Run-A	Tap-AA	Qty.	Cat. No.	Qty.	Cat. No.	Qty.	Cat. No.	Qty.	Cat. No.
2	2	2	HFB22P1	4	38 X (*) HEB	4	38CHEN	4	38SW
3	3	2	HFB33P1	4	38 X (*) HEB	4	38CHEN	4	38SW
4	2	2	HFB42P1	4	38 X (*) HEB	4	38CHEN	4	38SW
4	4	2	HFB44P1	4	50 X (*) HEB	4	50CHEN	4	50SW
6	3	2	HFB63P1	4	50 X (*) HEB	4	50CHEN	4	50SW
6	6	2	HFB66P1	4	62 X (*) HEB	4	62CHEN	4	62SW
8	8	2	HFB88P1	4	75 X (*) HEB	4	75CHEN	4	75SW

† Ordered separately from BURNDY®.

* See table below when ordering assembly clamping bolts to specify correct bolt length in Cat. #.

Bolt Length									
Clamp Number	"J" Bolt Dia.	When Z = 1.25	When Z = 1.50	When Z = 1.75	When Z = 2.00	When Z = 2.25	When Z = 2.50	When Z = 2.75	When Z = 3.00
HFB22P1	3/8 (-16)	3.00	3.25	3.50	4.00	4.00	4.50	4.50	5.00
HFB33P1	3/8 (-16)	3.00	3.25	3.50	4.00	4.00	4.50	4.50	5.00
HFB42P1	3/8 (-16)	3.00	3.25	3.50	4.00	4.00	4.50	4.50	5.00
HFB44P1	1/2 (-13)	3.25	3.50	3.75	4.00	4.50	4.50	5.00	5.00
HFB63P1	1/2 (-13)	3.25	3.50	3.75	4.00	4.50	4.50	5.00	5.00
HFB66P1	5/8 (-11)	3.50	4.00	4.00	4.50	4.50	5.00	5.00	5.50
HFB88P1	3/4 (-10)	3.75	4.00	4.50	4.50	5.00	5.00	5.50	5.50

NOTE: When ordering assembly bolts specify correct bolt length in catalog number as indicated in table.

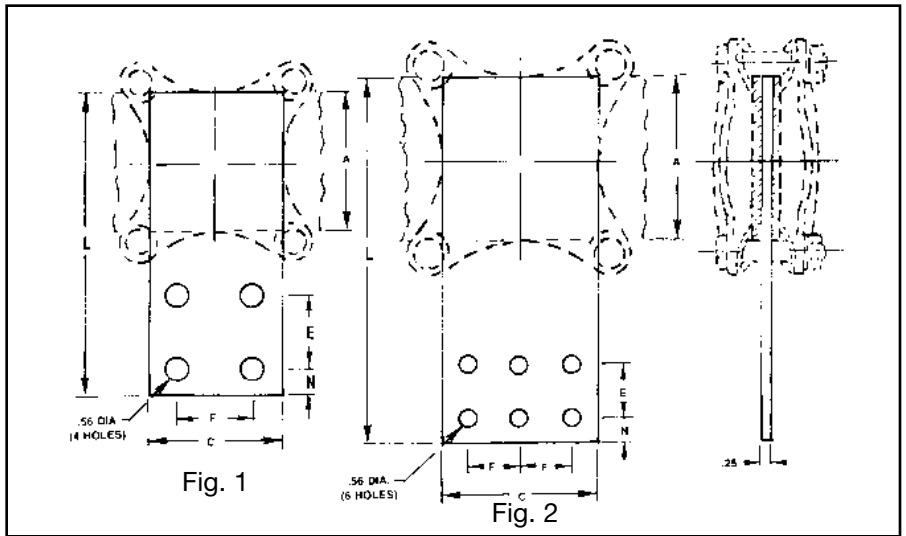
Blue highlighted items are industry standard and most frequently ordered.

TYPE HFB-N

**BAR CLAMP
TAP PAD ADAPTER**

For Copper Bar

High conductivity copper, tap pad adapter provides a NEMA drilled contact pad when assembled to the HFB-P1 clamps. Tap connections can be made from copper bus bar(s) without drilling, by bolting standard mechanical or compression terminal pads directly to the pre-drilled tap pad



Catalog Number	Fig. No.	A-C	E & F	L	N	Use with 'H' Clamp Catalog Number ①
HFB33-4N	1	3.00	1.75	7.00	.62	HFB33P1
HFB44-4N	1	4.00	1.75	9.12	1.12	HFB44P1
HFB66-6N	2	6.00	1.75	11.31	1.12	HFB66P1

① 'H' Clamp (two required per assembly) and hardware (as shown) not included with bar clamp tap pad, order separately.

Blue highlighted items are industry standard and most frequently ordered.

TYPES KA-U, KKA-U

UNIVERSAL TERMINAL

(One Conductor)
For Aluminum and
Copper Conductors

These dual-rated one-conductor lugs are constructed from high strength aluminum alloy and electro tin-plated to provide low contact resistance.



AL9CU

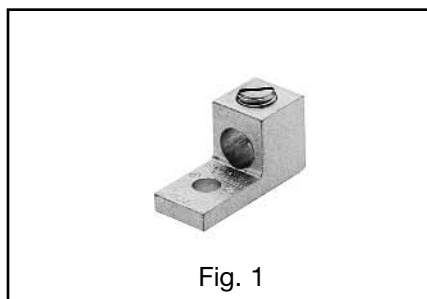


Fig. 1

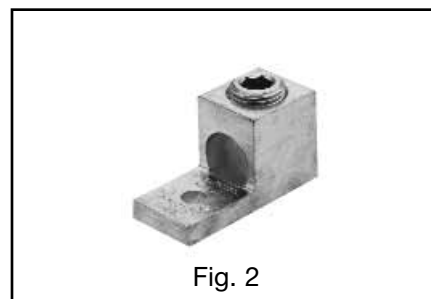


Fig. 2

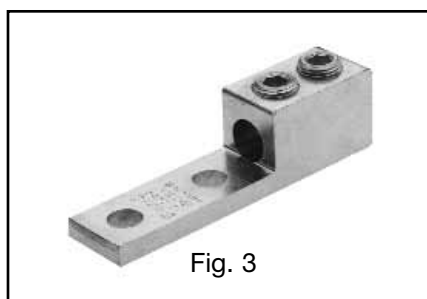


Fig. 3

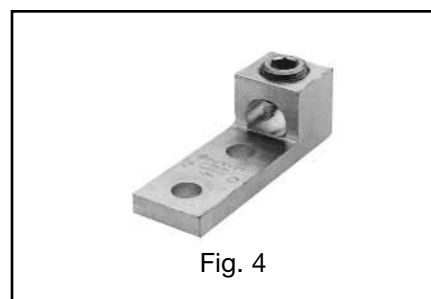
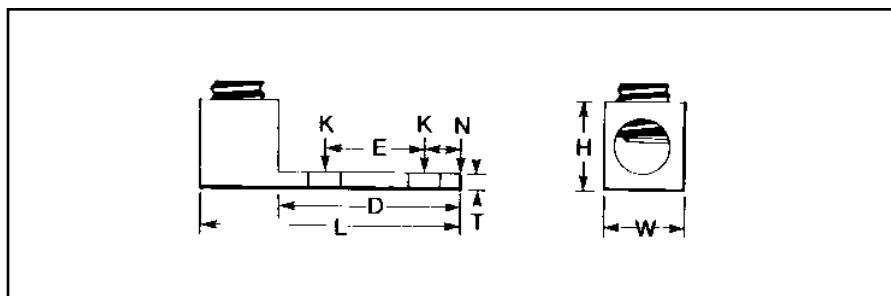


Fig. 4



Catalog Number*	Fig. No.	Wire Range Aluminum or Copper	Stud Hole Size	Dimensions							Recommended Tightening ▲ Torque in-lb
				D	L	N	** W	E	T	** H	
KA6U	1	14 Str. - 6 Str.	1/4	.63	1.06	.25	.50	—	.09	.50	45
KA2U	1	14 Str. - 2 Str.		.63	1.16	.31	.50	—	.10	.55	50
KA25U	1	14 Str. - 1/0 Str.		.81	1.50	.44	.63	—	.19	.80	50
KA26U	2	6 Str. - 2/0 Str.		.81	1.47	.47	.63	—	.19	.80	120
KA29U	2	6 Str. - 250 kcmil	5/16	.94	2.00	.50	1.00	—	.25	1.13	275
KA30U	2	6 Str. - 300 kcmil		.94	2.00	.50	1.00	—	.25	1.12	275
KA31U	2	6 Str. - 350 kcmil	3/8	1.03	2.25	.88	1.13	—	.25	1.25	275
KA34U	2	4 Str. - 500 kcmil		1.50	2.81	.88	1.51	—	.31	1.58	500
KA36U	2	2 Str. - 600 kcmil		1.72	3.19	.78	1.50	—	.44	1.56	500
KA40U	2	300 - 800 kcmil	1/2	1.69	3.38	.88	1.75	—	.50	1.94	550
KA44U	2	500 - 1000 kcmil		1.69	3.38	.88	1.75	—	.50	1.94	550
KKA31U-2N	3	6 Str. - 350 kcmil	1/2	3.16	5.50	.63	1.25	1.75	.38	1.50	275
KA36U-2N	4	2 Str. - 600 kcmil		3.22	4.69	.63	1.50	1.75	.44	1.57	500
KA40U-2N	4	300 - 800 kcmil		3.03	4.75	.63	1.75	1.75	.50	1.94	500
KA44U-2N	4	500 - 1000 kcmil		3.03	4.75	.63	1.75	1.75	.50	1.94	550

* "N" indicates NEMA standard stud holes.

▲ Listed torque values are for maximum conductor sizes accommodated. Consult UL486 Tables 7-4, 7-5, 7-6 for smaller conductor sizes.

** Maximum dimension.

Blue highlighted items are industry standard and most frequently ordered.

TYPE K2A-U

UNIVERSAL TERMINAL

(Two Conductor)
For Aluminum and
Copper Conductors

These dual-rated two-conductor lugs are constructed from high strength aluminum alloy and electro tin-plated to provide low contact resistance.

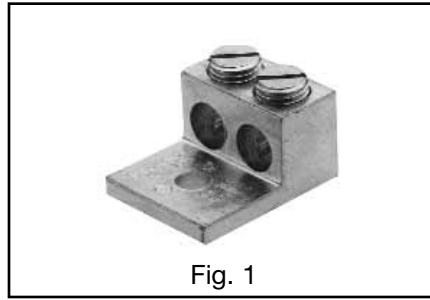


Fig. 1

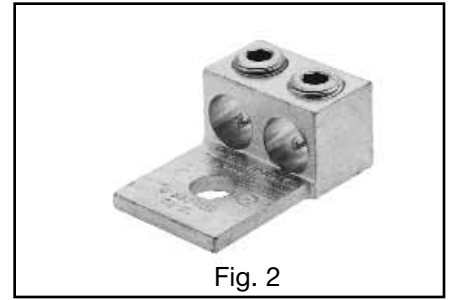


Fig. 2

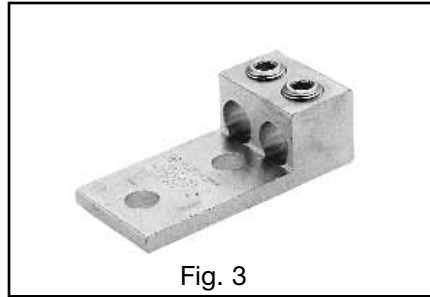
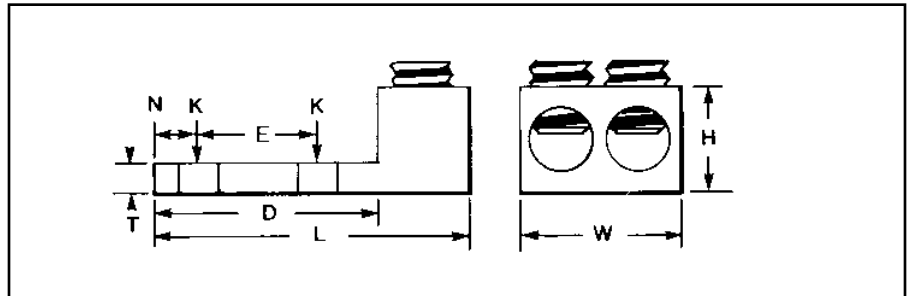


Fig. 3



Catalog Number*	Fig. No.	Wire Range Aluminum or Copper	Stud Hole Size	Dimensions						Recommended Tightening ▲ Torque in-lb	
				D	L	N	** W	E	T		** H
K2A25U	1	Two: 14 Str. - 1/0 Str.	1/4	.81	1.47	.44	1.13	—	.19	.79	50
K2A26U	2	Two: 14 Str. - 2/0 Str.		.81	1.47	.44	1.25	—	.19	.79	120
K2A29U	2	Two: 6 Str. - 250 kcmil	3/8	1.50	2.56	.50	1.66	—	.25	1.20	275
K2A31U	2	Two: 6 Str. - 350 kcmil	1/2	1.69	2.88	.88	1.94	—	.25	1.25	275
K2A36U	2	Two: 2 Str. - 600 kcmil		1.75	3.20	.63	2.41	—	.44	1.58	375
K2A40U	2	Two: 300 - 800 kcmil	5/8	1.66	3.38	.88	3.19	—	.50	1.94	550
K2A44U	2	Two: 500 - 1000 kcmil		1.66	3.50	.88	3.52	—	.50	1.94	550
K2A31U-2N	3	Two: 6 Str. - 350 kcmil	1/2	3.00	4.50	.63	2.31	1.75	.31	1.38	275
K2A36U-2N	3	Two: 2 Str. - 600 kcmil		3.22	4.69	.63	2.41	1.75	.44	1.56	375
K2A40U-2N	3	Two: 300 - 800 kcmil		3.03	4.75	.63	3.19	1.75	.50	1.94	375
K2A44U-2N	3	Two: 500 - 1000 kcmil		3.03	4.75	.63	3.19	1.75	.50	1.94	375

* "N" indicates NEMA standard stud holes.

▲ Listed torque values are for maximum conductor sizes accommodated. Consult UL486 Tables 7-4, 7-5, 7-6 for smaller conductor sizes.

** Maximum dimension.

Blue highlighted items are industry standard and most frequently ordered.

TYPES K3A-U, KK3A-U

UNIVERSAL TERMINAL

(Three Conductor)
For Aluminum and
Copper Conductors

Dual-rated three-conductor lugs are constructed from high strength aluminum alloy and electro tin-plated to provide low contact resistance.



AL9CU

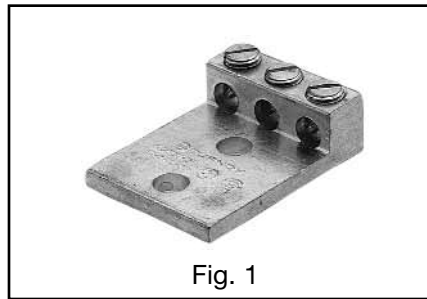


Fig. 1

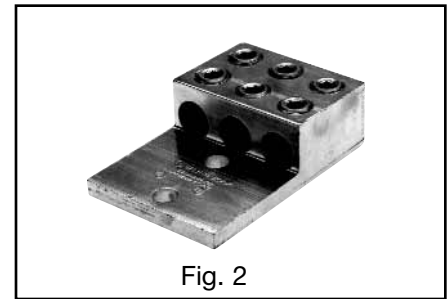


Fig. 2

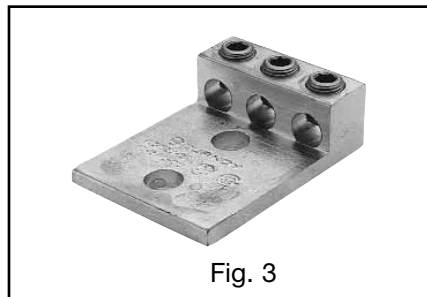
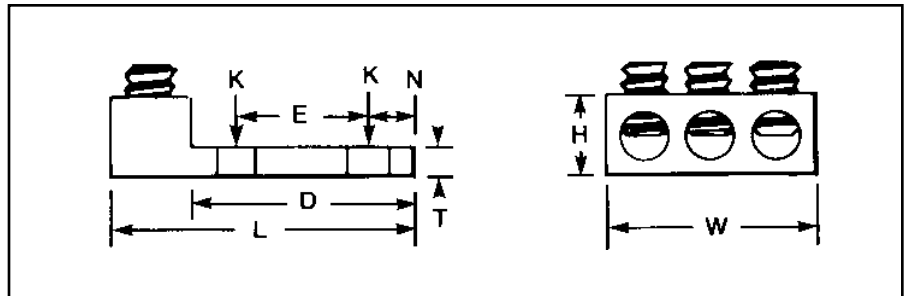


Fig. 3



Catalog Number*	Fig. No.	Wire Range Aluminum or Copper	K	Stud Hole Size	Dimensions						Recommended Tightening ▲ Torque in-lb	
					D	L	N	W	E	T		H
K3A2U-2*	1	Three: 14 Str. - 2 Str.	11/32	5/16	1.63	2.19	.34	1.59	.88	.19	.62	50
K3A25U-2*	1	Three: 14 Str. - 1/0 Str.	7/16	3/8	2.09	2.91	.34	1.94	1.00	.25	.88	
K3A26U-2N	3	Three: 14 Str. - 2/0 Str.	9/16	1/2	3.06	3.75	.63	1.95	1.75	.19	1.79	275
K3A27U-2N	3	Three: 6 Str. - 3/0 Str.			3.00	3.88	.63	2.81		.31	1.12	
K3A29U-2N	3	Three: 6 Str. - 250 kcmil			3.00	4.00	.63	2.81		.31	1.19	
K3A31U-2N	3	Three: 6 Str. - 350 kcmil			3.52	4.31	.63	3.00		.31	1.38	
K3A36U-2N	3	Three: 2 Str. - 600 kcmil			3.22	4.69	.63	3.63		.44	1.56	
KK3A36U-2N	2	Three: 2 Str. - 600 kcmil			3.00	5.63	.56	4.22		.44	1.69	
KK3A40U-2N	2	Three: 300 - 800 kcmil			3.03	5.69	.63	4.81		.50	1.94	
KK3A44U-2N	2	Three: 500 - 1000 kcmil	3.34	6.19	.63	4.75	.56	1.88	375			

* Slotted screw.

** "N" indicates NEMA standard stud holes.

▲ Listed torque values are for maximum conductor sizes accommodated.
Consult UL486 Tables 7-4, 7-5, 7-6 for smaller conductor sizes. All 4N items See note page A-2

Blue highlighted items are industry standard and most frequently ordered.

TYPES K3A-U, KK3A-U

(Continued)

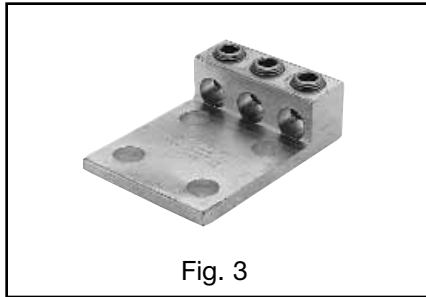


Fig. 3

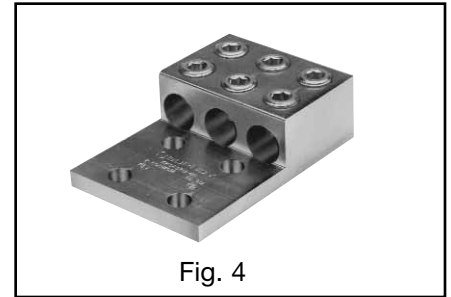
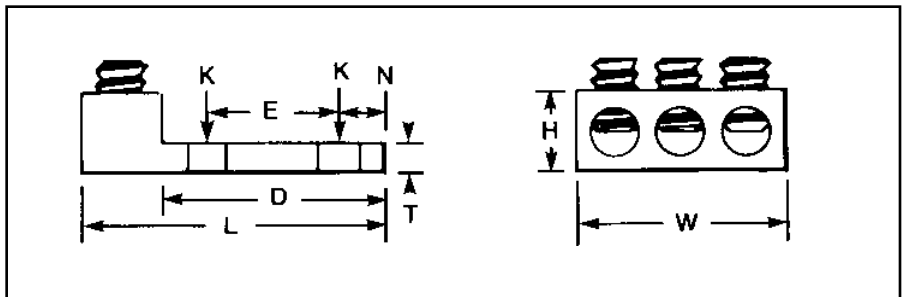


Fig. 4



Catalog Number**	Fig. No.	Wire Range Aluminum or Copper	K	Stud Hole Size	Dimensions							Recommended Tightening ▲ Torque in-lb
					D	L	N	W	E	T	H	
K3A2U-4*	3	Three: 14 Str. - 2 Str.	11/32	5/16	1.63	2.19	.34	1.59	.88	.19	.62	50
K3A25U-4*	3	Three: 14 Str. - 1/0 Str.	7/16	3/8	2.09	2.91	.34	1.94	1.00	.25	.88	
K3A27U-4N	3	Three: 6 Str. - 3/0 Str.	9/16	1/2	3.00	3.88	.63	2.81	1.75	.31	1.12	275
K3A29U-4N	3	Three: 6 Str. - 250 kcmil			3.00	4.00		2.81		.31	1.19	
K3A31U-4N	3	Three: 6 Str. - 350 kcmil			3.00	4.31		3.00		.31	1.38	
K3A36U-4N	3	Three: 2 Str. - 600 kcmil			3.22	4.69		3.63		.44	1.56	
K3A40U-4N	3	Three: 300 - 800 kcmil			3.03	4.75		4.81		.50	1.94	375
KK3A36U-4N	4	Three: 2 Str. - 600 kcmil			3.00	5.63		4.22		.44	1.69	
KK3A40U-4N	4	Three: 350 - 800 kcmil			3.34	6.19		5.34		.56	1.88	275
KK3A44U-4N	4	Three: 500 - 1000 kcmil	3.34	6.19	4.75	.56	1.88	375				

* Slotted screw
 ** "N" indicates NEMA standard stud holes.
 ▲ Listed torque values are for maximum conductor sizes accommodated. Consult UL486 Tables 7-4, 7-5, 7-6 for smaller conductor sizes.
 All 4N items See note page A-2

Blue highlighted items are industry standard and most frequently ordered.

TYPES K4A-U, KK4A-U

UNIVERSAL TERMINAL

(Four Conductor)
For Aluminum and
Copper Conductors

These dual-rated four conductor lugs are constructed from high strength aluminum alloy and electro tin-plated to provide low contact resistance.

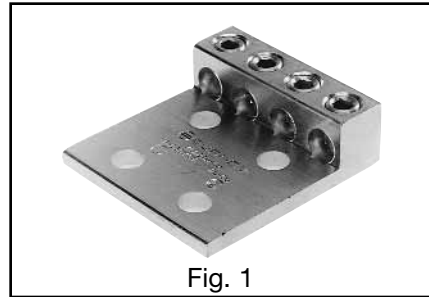


Fig. 1

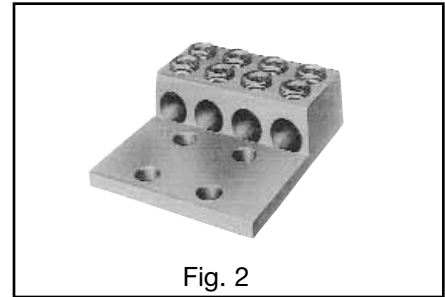
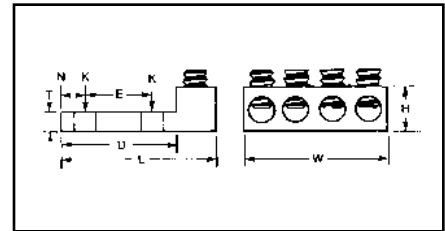


Fig. 2



Catalog Number*	Fig. No.	Wire Range Aluminum or Copper	Stud Hole Size	Dimensions							Recommended Tightening ▲ Torque in-lb
				D	L	N	W	E	T	H	
K4A29U-4N	1	Four: 6 Str. - 250 kcmil	1/2	3	4	.63	3.69	1.75	.31	1.19	275
K4A31U-4N	1	Four: 6 Str. - 350 kcmil		3	4.31		5.04		.31	1.38	
KK4A36U-4N	2	Four: 2 Str. - 600 kcmil		3.34	5.63		5		.44	1.69	
KK4A40U-4N	2	Four: 300 - 800 kcmil		3	6.19		6		.56	1.88	375

* "N" indicates NEMA standard stud holes.
All 4N items ✓ See note page A-2

TYPES K11A-U, K21A-U, K22A-U

UNIVERSAL TERMINAL

For Aluminum and
Copper Conductors

Dual-rated panelboard lugs are constructed from high strength extruded aluminum alloy and electro tin-plated to provide low contact resistance.

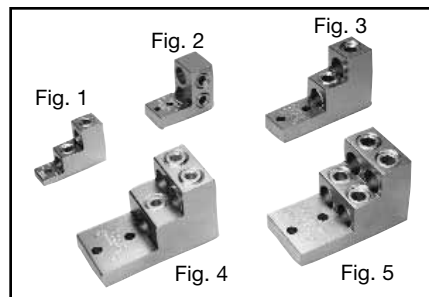


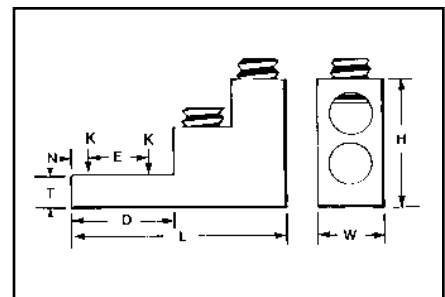
Fig. 1

Fig. 2

Fig. 3

Fig. 4

Fig. 5



Catalog Number	Fig. No.	Wire Range Aluminum or Copper	Stud Hole Size	Dimensions							Recommended Tightening ▲ Torque in-lb
				D	L	N	W	E	T	H	
K11A30U	1	Two: 6 Str. - 300 kcmil	5/16	.94	3.00	.47	1.00	—	.31	2.00	275
K11A34U-2	2	Two: 4/0 Str. - 500 kcmil	1/4	2.31	4.91	.38	1.50	.69	.63	3.00	375
K11A36U-2	3	Two: 2 Str. - 600 kcmil									
K21A36U-2	4	Three: 2 Str. - 600 kcmil	2.50								
K22A36U-2	5	Four: 2 Str. - 600 kcmil	2.50								
K11A39U-2	3	Two: 1/0 Str. - 750 kcmil	1.69								
K22A39U-2	5	Four: 1/0 Str. - 750 kcmil	3.06								

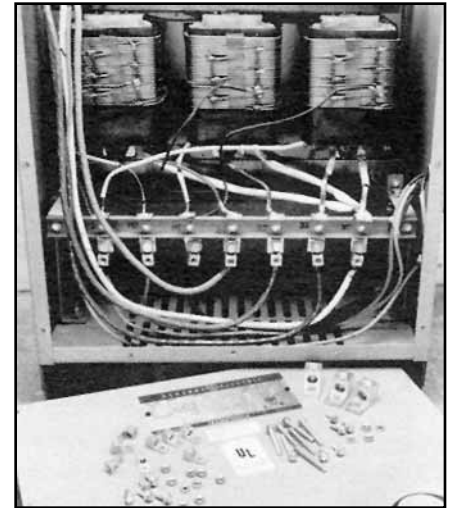
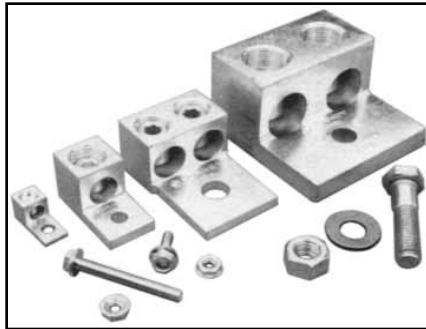
▲ Listed torque values are for maximum conductor sizes accommodated. Consult UL486 Tables 7-4, 7-5, 7-6 for smaller conductor sizes.

Blue highlighted items are industry standard and most frequently ordered.

TYPE KAU-KIT

TRANSFORMER LUG KIT

These dual-rated lugs are constructed from high strength aluminum alloy and electro tinned to provide low contact resistance. Lugs and mounting hardware packaged together in these kits.



Features and Benefits

- UL listed AL9CU dual rated set screw terminals and CSA certified.
 - ◇ Ensure the transformer feeders and taps are terminated properly.
- Plated steel cap screws and hex nuts with captive conical washers or individual Belleville washers.
 - ◇ Terminal to bus connections are made using proper hardware resulting in true torque to pressure performance. Compensates for dissimilar metal expansion and contraction.
- Hardware packed in plastic bag.
 - ◇ No lost hardware prior to installation.
- Larger 800 kcmil lugs in KIT3 and KIT4.
 - ◇ Accommodates common 750 kcmil tap conductors in larger transformers.

Catalog Number	Transformer KVA Rating		Terminals		Wire Range Aluminum or Copper	Hardware					
			Qty.	Catalog Number		Qty.	Bolt Size	Qty.	Nut	Qty.	Washer
KAU-KIT1	15 - 37.5	1Ø	8	KA2U	#14 - 2	8	1/4-20 × 3/4 HH	8	1/4 × 20 HN	—	Captive to Nut
	15 - 45	3Ø	4	KA29U	#6 - 250 kcmil						
KAU-KIT2	50 - 75	1Ø	12	KA29U	#6 - 250 kcmil	8	1/4-20 × 3/4 HH	16	1/4 × 20 HN	—	Captive to Nut
	75 - 112.5	3Ø				8	1/4-20 × 2 HH				
KAU-KIT3	100 - 167	1Ø	6	K2A31U	#6 - 350 kcmil	5	1/2-13 × 3 HH	11	1/2-13 HN	22	1/2 FW
	150 - 300	3Ø	7	K2A40U	300 - 800 kcmil	6	1/2-13 × 2-1/2 HH			11	1/2 Belleville
KAU-KIT4	400 - 500	3Ø	15	K2A40U	300 - 800 kcmil	7	1/2-13 × 2	11	1/2-13 HN	22	1/2 FW
						4	1/2-13 × 2-1/2			11	1/2 Belleville

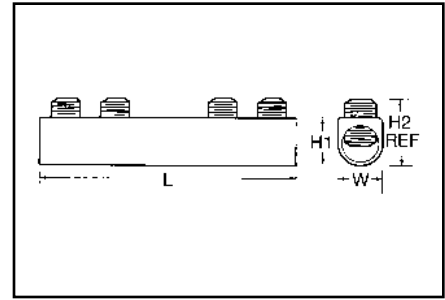
Blue highlighted items are industry standard and most frequently ordered.

TYPE AMS

DUAL RATED SPLICER/REDUCER

For Copper and
Aluminum Cable

All splicer/reducers are dual rated for use with aluminum and copper conductors and are constructed from high strength, tin plated aluminum. PENTROX™ oxide inhibiting joint compounds are recommended for all aluminum applications.



Features and Benefits

- All connectors are tin-plated.
 - ◇ Provide low contact resistance and prevents galvanic corrosion.
- Connectors feature rounded bottoms.
 - ◇ Facilitates taping.
- Solid center barrier.
 - ◇ Prevents contact of dissimilar metals.
- Large screw diameters.
 - ◇ Ensures greater surface contact with wires for maximum pullout force.
- Large cable ranges.
 - ◇ Each splice is also an effective reducing connector.

Catalog Number	Wire Range		L	W	H1	H2 Max.	No. of Screws	Screw Dia.	Hex Size
	Max.	Min.							
AMS-2*	AWG 2	AWG 14	1-19/32	9/16	9/16	.79	2	3/8	S
AMS-0*	AWG 1/0	AWG 14	1-29/32	3/4	3/4	.86	2	7/16	S
AMS-4/0	AWG 4/0	AWG 6	2-5/16	1	1-3/32	1.28	2	9/16	5/16
AMS-250	250 kcmil	AWG 6	4-3/32	1	1-3/32	1.29	4	5/8	5/16
AMS-350	350 kcmil	AWG 6	4-11/32	1	1-3/32	1.30	4	11/16	5/16
AMS-500	500 kcmil	AWG 3/0	4-25/32	1-1/4	1-3/8	1.48	4	13/16	3/8
AMS-750	750 kcmil	250 kcmil	6-1/16	1-7/16	1-5/8	1.98	4	15/16	1/2
AMS-1000	1000 kcmil	500 kcmil	8-11/16	1-21/32	1-7/8	2.34	6	1-1/8	9/16

* Slotted Screws. H2 measured with maximum conductors, reference only.

✓ Complies with NFPA 78-86.

Blue highlighted items are industry standard and most frequently ordered.

TYPE AGSKIT

ABOVE GRADE SPLICE KITS

For All Aluminum or Copper/Aluminum Combinations

Type AGS Above Grade Splice Kit consists of a standard AMS splice/reducer and a heavy wall heat-shrink sleeve. The AMS Splice is dual rated for use with aluminum and copper conductors and are constructed from high strength, tin plated aluminum that provides low contact resistance and reduces the effects of galvanic corrosion. Connector is installed with common installation tools. The heavy wall heat shrink sleeve is lined with adhesive material, providing a positive seal against moisture egress. Heat shrink sleeve is installed with standard propane torch, or electric heat gun.

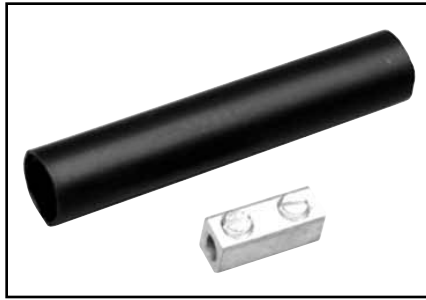


Fig. 1



Fig. 2



Catalog Number	Figure Number	Wire Range	
		Maximum	Minimum
AGSKIT2	1	2	8
AGSKIT250	2	250	1

TYPE UGSKIT

WATERTIGHT/ UNDERGROUND SPLICE KITS

For all Aluminum or Copper/Aluminum Combinations

Type UGS Watertight Underground Splice Kit consists of a standard AMS splice/reducer and two heavy wall heat-shrink sleeves. The AMS Splice is dual rated for use with aluminum and copper conductors and are constructed from high strength, tin plated aluminum that provides low contact resistance and reduces the effects of galvanic corrosion. Connector installed with common installation tools. Both heavy wall heat shrink sleeves are lined with adhesive material, providing a watertight splice that can withstand abrasions that may occur during direct burial applications. Heat shrink sleeve installed with standard propane torch, or electric heat gun.



Fig. 1



Fig. 2



Catalog Number	Figure Number	Wire Range	
		Maximum	Minimum
UGSKIT2*	1	2	8
UGSKIT250*	2	250	1

*UL486D Listed for Direct Burial

Blue highlighted items are industry standard and most frequently ordered.

TYPE UGSKIT8

UF DIRECT BURIAL SPLICE KIT

Type UGS UF Splice Kit consists of a UF splice connector and a heavy wall heat-shrink sleeve. The UF splice connector can accommodate up to four UF conductors and is installed with common installation tools. The heavy wall heat shrink sleeve is lined with an adhesive material, providing a water-tight splice that can withstand abrasions that may occur during direct burial applications. Heat shrink sleeve installed with standard propane torch, or electric heat gun.



Catalog Number	Wire Range
	Copper

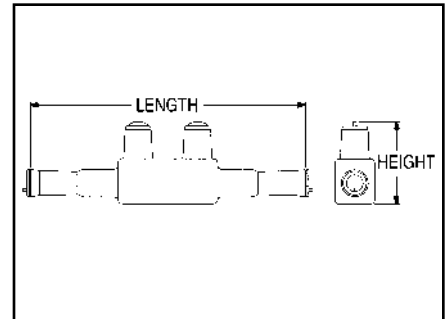
UGSKIT8* 8 AWG – 14 AWG

*UL486D Listed for Direct Burial.

TYPE UGS350ULDB

IN-LINE SPLICE/REDUCER

For Direct Burial



Features and Benefits

- EPDM rubber covered 6061-T6 aluminum connector.
- Dual rated AL9CU for copper or aluminum conductor.
- UL Listed and CSA Certified for Direct Burial.
- Broad range taking capability.
- Low installation cost.

Catalog Number	Wire Range	Length In. [mm]	Height In. [mm]	Hex Size	Torque (In. Lbs.)
UGS350ULDB	AWG 12 - 350 kcmil	8.50 [216]	2.81 [71.4]	5/16"	350

Dimensions in brackets [] are in millimeters.

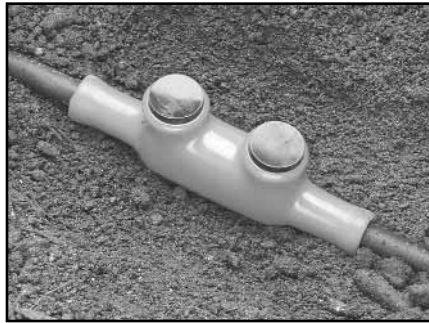
Blue highlighted items are industry standard and most frequently ordered.

**BURNDY® UNITAP™
THE MOLE™**

For Direct Burial

600V, 90°C

Designed specifically for direct burial applications, the MOLE™ inline splice/reducer is made with a specialized plastisol material that forms a rugged weathertight connection.



Features and Benefits

- UL486D Listed for direct burial.
- AL9CU Dual-rated for copper and aluminum applications. 600V 90°C.
- Plastisol covered AL6061-T6 aluminum body saves time by eliminating the need for heat shrink.
- Oxide inhibitor pre-installed preventing moisture and contaminants from entering contact area.
- Range-taking capability reduces the number of connectors carried in inventory.

Catalog Number	Number of Ports	Wire Range (AWG/kcmil)	Dimensions (Inches)			Hex Key (Torque) (In.-lbs.)	Wire Strip Length
			L	W	H		
BISR4-DB	2	#6 - 4 AWG	4.30	0.80	1.28	1/8 (50)	7/8"
BISR1-DB	2	#2 - 1 AWG	6.30	0.93	1.59	5/32 (130)	1-3/32"
BISR3/0-DB	2	1/0 - 3/0 AWG	6.25	0.99	1.84	3/16 (220)	1-3/32"
BISR250-DB	2	4/0 - 250 kcmil	6.70	1.18	2.03	5/16 (360)	1-5/16"

BISR-DB = BURNDY Inline Splice/Reducer Direct Burial.
UNITAP™ rated for code conductor only.

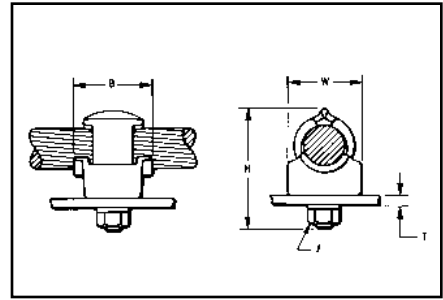
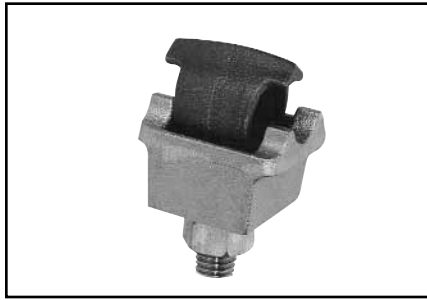
Blue highlighted items are industry standard and most frequently ordered.

TYPE QGFL

BARTAP™

For Copper Cable To Flat

High copper alloy BARTAP™ for joining a range of cable to bar or pad. One-wrench installation.



Catalog Number	Copper Conductor	B	H	J	T (Max.)	W					
QGFL1CB1	10 Sol. - 1 Str.	1-1/8	1-7/8	3/8	1/4	1					
QGFL1CB1T6			2-3/8		3/4						
QGFL26B1	8 Sol. - 2/0 Str.	1-1/4	2-1/8		1/2		1/4	1-1/8			
QGFL26B1T6			2-5/8				3/4				
QGFL26B2*			2-1/2	1/4							
QGFL26B2T6*			2-1/8	3/4							
QGFL29B1*	6 Str. - 250 kcmil	1-1/2	2-5/8	1/2		1/4	1-3/8				
QGFL29B1T6*			3-1/8			3/4					
QGFL31B1*	2 Sol. - 350 kcmil	1-5/8	2-7/8			1/2	1/4	1-5/8			
QGFL31B1T6*			3-1/4				3/4				
QGFL34B1	1/0 Sol. - 500 kcmil	1-3/4	3-1/8		1/2		1/4	1-3/4			
QGFL34B1T6			3-5/8				3/4				
QGFL39B1	350 - 750 kcmil	2	3-1/4				1/2		1/4	1-3/4	
QGFL39B1T6			3-5/8						3/4		
QGFL44B1	750 - 1000 kcmil	2-1/4	3-3/8					1/2	1/4	2-1/8	
QGFL44B1T6			4-1/8						3/4		
QGFL46B1	1000 - 1500 kcmil		2-1/4	4					1/2	1/4	2-1/2
QGFL46B1T6				4-1/2						3/4	
QGFL48B1	1500 - 2000 kcmil	2-1/4	5-1/4	1/2						1/4	3

* Can be installed side by side or in-line on NEMA drilled bar.

Blue highlighted items are industry standard and most frequently ordered.

TYPE FCB

**TRANSFORMER
TAP ADAPTER**

For Copper and Aluminum

Silver brazed 101% conductivity copper transformer tap adapter designed to accommodate from 1 to 6 NEMA drilled copper or aluminum terminal taps from a single secondary transformer outlet. Tin-plated. Order mounting hardware & tap terminals separately.

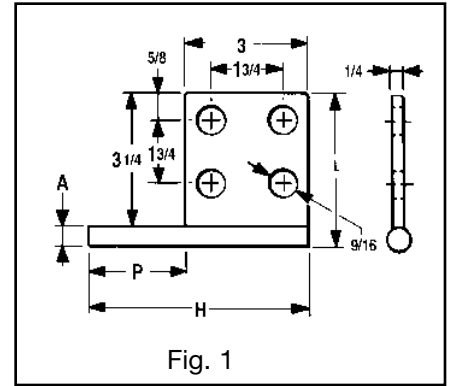
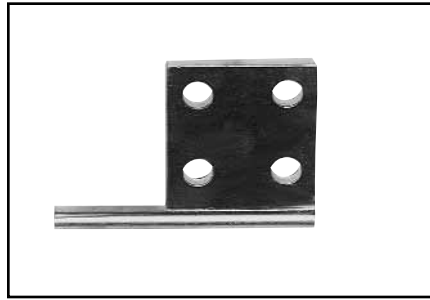


Fig. 1

Fig. No.	Catalog Number	A Dia.	H Ref.	L	P
1	FCB63-4N	.50	5.25	3.75	2.25
2	FCB63-6N	.50	5.25	5.50	2.25
1	FCB64-4N	.75	5.75	4.00	2.75
2	FCB64-6N	.75	5.75	5.75	2.75
1	FCB65-4N	1.00	7.00	4.25	4.00
Not Shown	FCB63-2NP300	.50	5.00	3.50	3.00
	FCB64-44NP50	.75	9.00	5.00	5.00

NOTE: All pads are NEMA drilled.

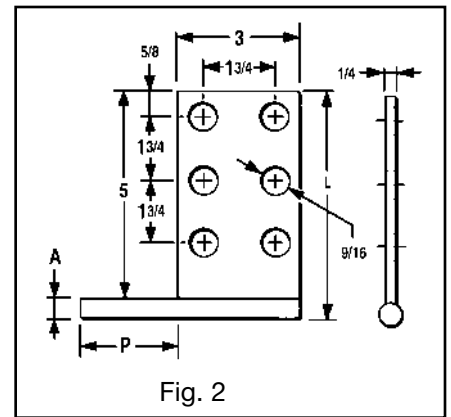


Fig. 2

Blue highlighted items are industry standard and most frequently ordered.

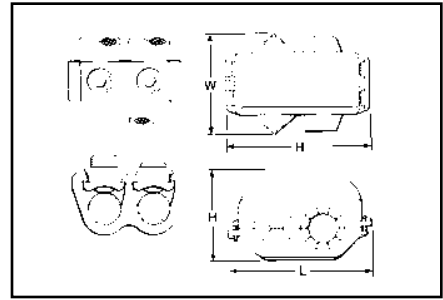
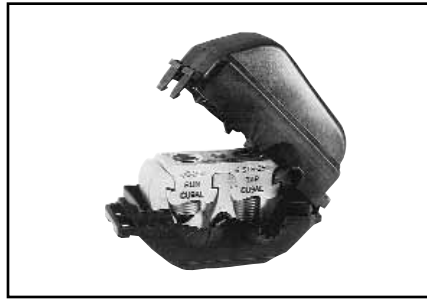
TYPE KPU-AC

POLYTAP™

Insulated Gutter Tap for All Copper and Aluminum Combinations

Wide range-taking tin-plated aluminum parallel clamp and insulating cover assembly for industrial and multiple story structure applications. Only six connectors cover the entire 14 Sol.-750 kcmil range. Covers having flexible fingers that conform to conductor, fully insulating the connection. UL486B listed for 600 volts maximum 90° C service. Cover and connector are packaged together. No taping required.

600 Volt Max. 90° C



Catalog Number	Conductor Copper or Aluminum		W	H	L	Recommended Tightening Torque in-lb
	Run	Tap				
KPU29A26AC	1/0 Str. - 250 kcmil	14 Sol. - 2/0 Str.	3-1/8	3-3/8	4-1/4	375
KPU29A29AC	1/0 Str. - 250 kcmil	6 Str. - 250 kcmil				
KPU34A26AC	4/0 Str. - 500 kcmil	14 Sol. - 2/0 Str.	3-1/2	3-1/2	4-5/8	450
KPU34A34AC	4/0 Str. - 500 kcmil	6 Str. - 500 kcmil				
KPU39A26AC	500 - 750 kcmil	14 Sol. - 2/0 Str.	3-1/2	3-7/8	5-1/16	600
KPU39A39AC	500 - 750 kcmil	1/0 Str. - 750 kcmil				

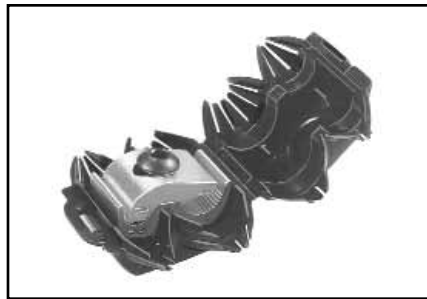
▲ Listed torque values are for maximum conductor combinations accommodated. Consult UL486 Tables 7-4, 7-5, 7-6 for smaller combinations.

✓ See note page A-2.

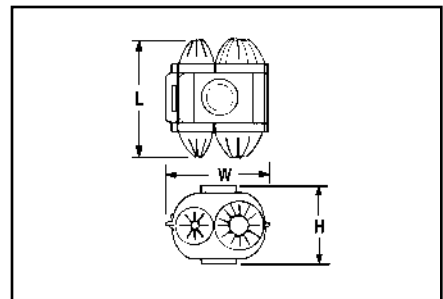
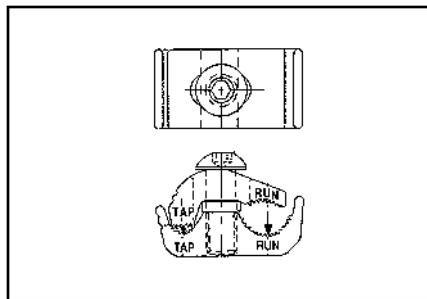
TYPE UCU-AC

RISER TAP

Parallel-groove riser tap and insulation cover for copper and aluminum. Wide range-taking assembly for apartment house and light industrial applications. Cover and connector are packaged together. Covers having insulating fingers that conform to conductors, fully insulating the connection. UL486B Listed for 600 volts max. 90° C service.



600 Volt Max. 90° C Max.



Catalog Number	Conductor		W	H	L	Recommended Tightening ▲ Torque in-lb
	Run	Tap				
UCU28AC	2 Str. - 4/0 Str.	10 Sol. - 2 Str.	2-1/4	1-13/16	2-5/8	120

▲ Listed torque values are for maximum conductor combinations accommodated. Consult UL486 Tables 7-4, 7-5, 7-6 for smaller combinations.

Blue highlighted items are industry standard and most frequently ordered.

TYPE BIPC

UL Listed 90° C, *600 Volt

The Type BIPC, **B**urndy **I**nsulation **P**iercing **C**onnectors are ideally suited for splicing and tapping aluminum and copper conductor wire sizes: #10 AWG to 500 kcmil.



Features and Benefits

- Insulation piercing capability.
 - ◇ Eliminates the need for conductor insulation stripping.
- UL486B listed, AL9CU rated.
 - ◇ For copper and aluminum conductor combinations up to 90° *600 Volt applications.
- Insulation piercing design.
 - ◇ Eliminates the need for taping.
- Easy snap-out tabs.
 - ◇ Eases installation, protects connection from dirt and debris.
- Simple bolt-on connection.
 - ◇ Eases installation.

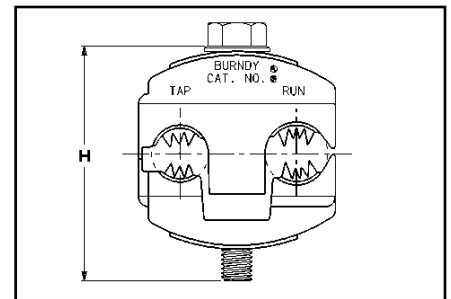
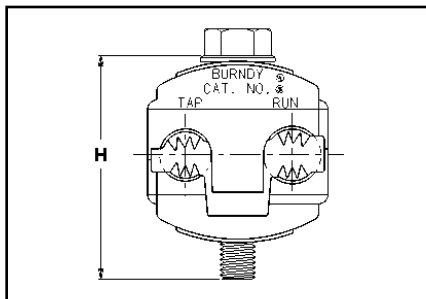
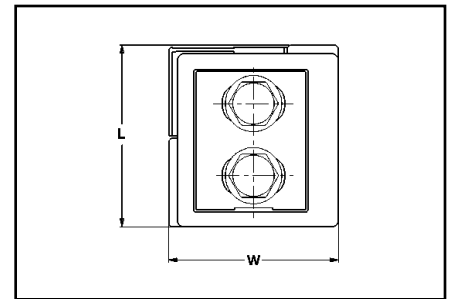
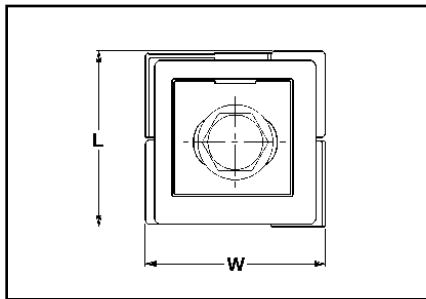
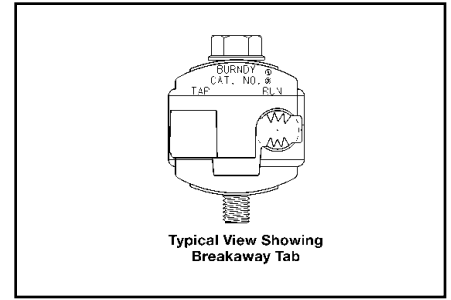


Fig. 1

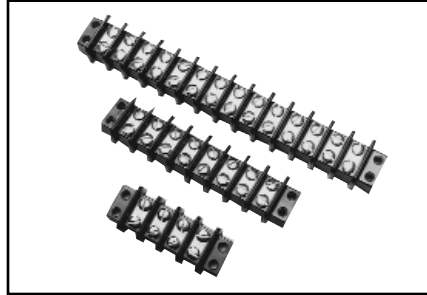
Fig. 2

Catalog Number	Conductor Range		Bolt Size	Socket Size	Fig. No.	Dimensions			Recommended Torque (N,m)	Max. Voltage Rating
	Run	Tap				H	L	W		
BIPC1/0-2	1/0 - 8 AWG [50 - 6 mm ²]	2 - 8 AWG [35 - 6 mm ²]	5/16-18	1/2	1	2.00 [51]	1.53 [39]	2.56 [65]	180 in. lbs. [20.3 N.m]	600V
BIPC4/0-6	4/0 - 1/0 AWG [95 - 50 mm ²]	1/0 - 6 AWG [50 - 16 mm ²]	5/16-18	1/2	2	2.50 [64]	2.12 [54]	2.00 [51]	250 in. lbs. [28.3 N.m]	300V
BIPC4/0-1/0	4/0 - 1/0 AWG [95 - 50 mm ²]	4/0 - 1/0 AWG [95 - 50 mm ²]	5/16-18	1/2	2	2.50 [64]	2.12 [2.12]	2.06 [52]	250 in. lbs. [28.3 N.m]	300V
BIPC350-4/0	350 - 4/0 AWG [185 - 95 mm ²]	4/0 - 10 AWG [95 - 6 mm ²]	3/8-16	9/16	1	3.00 [76]	1.59 [40]	2.50 [64]	375 in. lbs. [42.4 N.m]	300V
BIPC350-350	350 - 4/0 AWG [185 - 95 mm ²]	350 - 4/0 AWG [185 - 95 mm ²]	3/8-16	9/16	2	3.00 [76]	2.62 [67]	2.75 [70]	300 in. lbs. [33.9 N.m]	300V
BIPC500-4/0	500 - 350 kcmil [240 - 185 mm ²]	4/0 - 4 AWG [95 - 25 mm ²]	3/8-16	9/16	1	3.25 [83]	1.59 [40]	2.62 [67]	400 in. lbs. [45.2 N.m]	600V

Blue highlighted items are industry standard and most frequently ordered.

MISCELLANEOUS ACCESSORIES

TERMINAL BLOCKS



Meets UL component requirements:

CLASS B:

Commercial Equipment 300 V RMS

CLASS C:

General Industrial 300 V RMS

Withstands volts, Vdc 10,500

Steel nickel plated screws

Number of Circuits	Overall Length	General Description	Catalog Number
2	2-3/32"	Molded General Purpose Phenolic Base 30 amps, #10 studs	RK149-2
2	3-7/32"		RK150-2
6	4-11/32"		RK225-2
8	5-15/32"	1 piece, per card 300-volt rating	RK151-2
10	6-19/32"		RK152-2
12	7-23/32"		RK226-2
14	8-27/32"		RK153-2
16	9-31/32"		RK227-2

For bulk pack contact factory.

Blue highlighted items are industry standard and most frequently ordered.

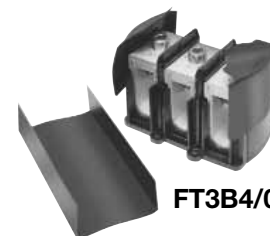
U-BLOK™ POWER DISTRIBUTION BLOCKS

For Junction Box Applications

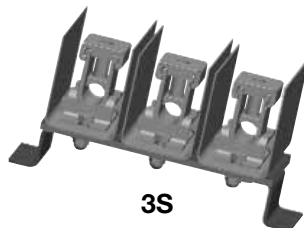
The U-BLOK™ system is a modern, state-of-the-art approach to multi-load power distribution applications. Among typical uses are multi-story or multi-unit buildings, HVAC, refrigeration, control panels, motor control, switch gear, elevator systems and materials-handling equipment. U-BLOK™ is UL Listed for Copper or Aluminum conductors and rated for 600-volt applications. U-BLOK™ can be mounted on bases for use in troughs or bolted directly to junction boxes. AL9CU rated.



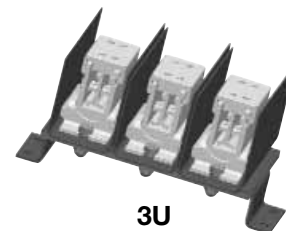
FT4B500



FT3B4/0



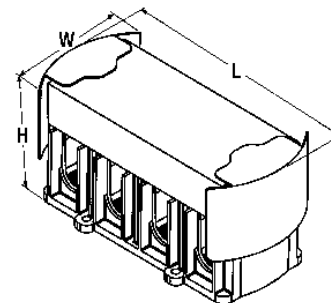
3S



3U

Features and Benefits

- Connector top slides OFF/ON for quick cable lay-in.
 - ◊ Labor savings. Easy access for installation, modifications or retrofit.
- Electro-tin plated connectors in each pole.
 - ◊ Durability. High-conductivity and resistance to corrosion.
- Compact size.
 - ◊ Requires less space than traditional connection methods.
- Trough installations can be mounted on raised platforms.
 - ◊ Passage of cables under block means through-cables need not be terminated.
- Insulating covers and mounting blocks rated 94-VO.
 - ◊ Saves costly taping, time and material. Conforms to or exceeds building codes.
- Connectors accommodate a wide range of wire sizes.
 - ◊ Reduces parts inventory requirements.
- Feeder conductors can be cut or fed through on a continuous run.
 - ◊ Ease of installation.



3 WIRE POWER DISTRIBUTION BLOCKS

Catalog Number	Maximum Number of Wires per Phase		Al or Cu Wire Range *		W	L	H	Weight Each	Allen Wrench Size	Torque (in-lb)	Strip Length	
			Run	Tap							Run	Tap
FT3B4/0	2		3/0 - 4/0	6 - 4/0	3-7/8"	5-7/8"	4-1/8"	1-1/4 lbs.	1/4"	200	1-1/2"	
FT3B500			400 - 500	6 - 500				2-1/8 lbs.	3/8"	375	2-5/16"	
3S	2		250-350	6 - 350	3-5/8"	9-3/4"	4-7/8"	3 lbs.	1/4"	200	1-3/4"	
3U	Run	Tap	3/0-500	6 - 1/0	4-3/4"	9-3/4"	5-1/2"	3 lbs.	5/32"	110	Run	Tap
											1	8

4 WIRE POWER DISTRIBUTION BLOCKS

Catalog Number	Maximum Number of Wires per Phase		Al or Cu Wire Range *		W	L	H	Weight Each	Allen Wrench Size	Torque (in-lb)	Strip Length	
			Run	Tap							Run	Tap
FT4B4/0	2		3/0 - 4/0	6 - 4/0	3-7/8"	7-7/8"	4-1/8"	2 lbs.	1/4"	200	1-1/2"	
FT4B500			400 - 500	6 - 500				2-3/4 lbs.	3/8"	375	2-5/16"	
4S	2		250-350	6 - 350	3-5/8"	11-3/4"	4-7/8"	3-1/2 lbs.	1/4"	200	1-3/4"	
4U	Run	Tap	3/0-500	6 - 1/0	4-3/4"	11-3/4"	5-1/2"	3-1/2 lbs.	5/32"	110	Run	Tap
											1	8

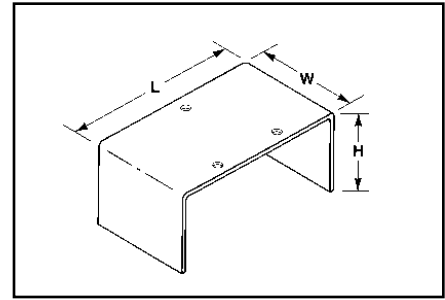
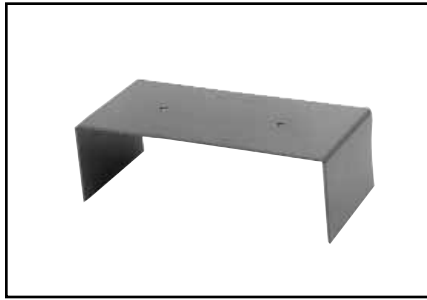
PENETROX™ inhibitor is recommended for all aluminum wire connections.
For two wire tap range is 8 through 1/0.

* Aluminum and copper conductors cannot be assembled under the same pressure plate or t-bar.

Blue highlighted items are industry standard and most frequently ordered.

U-BLOK™ MOUNTING PLATFORMS

For Trough Applications



CATALOG NUMBER	W	L	H	GUTTER SIZE	WEIGHT EACH
TBPT-6*	4-1/4"	5-7/8"	1-1/2"	6"	3/4 lb.
TBPT-8	4-1/4"	7-7/8"	3-1/2"	8"	1-1/4 lb.
TBPT-10	4-1/4"	9-7/8"	4"	10"	1-1/2 lb.
TBPT-12	4-1/4"	11-7/8"	4"	12"	1-3/4 lb.

Hole pattern shown is for reference only.

* Supercedes TBPT4/0-6 and TBPT350/500-6.

FLEXI-TAP™

ALLOWABLE AMPACITIES OF INSULATED CONDUCTOR, 60° TO 90° C **

Size AWG kcmil	Copper			Al or Copper Clad Al		
	60 deg. C	75 deg. C	90 deg. C	60 deg. C	75 deg. C	90 deg. C
12	25	25	30	20	20	25
10	30	35	40	25	30	35
8	40	50	55	30	40	45
6	55	65	75	40	50	60
4	70	85	95	55	65	75
3	85	100	110	65	75	85
2	95	115	130	75	90	100
1	110	130	150	85	100	115
1/0	125	150	170	100	120	135
2/0	145	175	195	115	135	150
3/0	165	200	225	130	155	175
4/0	195	230	260	150	180	205
250	215	255	290	170	205	230
300	240	285	320	190	230	255
350	260	310	350	210	250	280
400	280	335	380	225	270	305
500	320	380	430	260	310	350
600	355	420	475	285	340	385
700	385	460	520	310	375	420
750	400	475	535	320	385	435

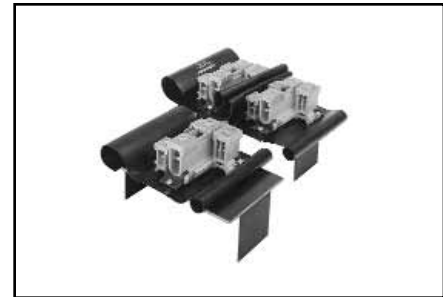
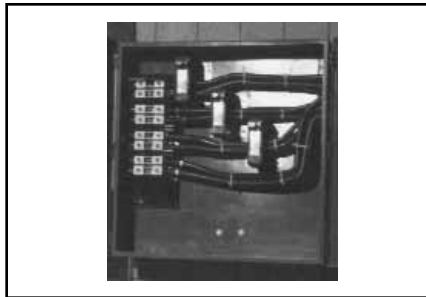
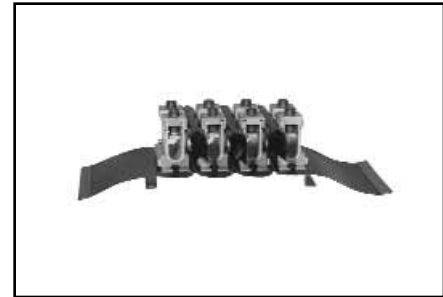
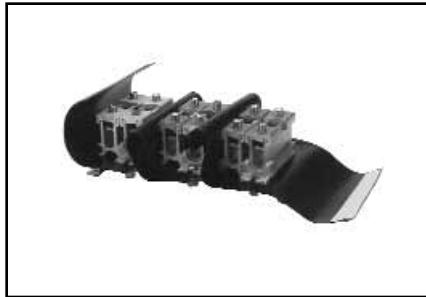
** NOTE: Values referenced from Article 310 of the National Electric Code, Table 310-16, 1996. The above chart is to be used for REFERENCE ONLY. Please consult Table 310-16 of the National Electric Code (latest revision) for information regarding insulation type, voltage range, and conductor housings/surroundings. U-TAP™, U-BLOK™, and SPEC-BLOK™ connectors are rated for 90 deg. C by Underwriters' Laboratories. Use of 60 deg. C and 75 deg. C conductor(s) is valid, though only as determined by the National Electric Code.

Blue highlighted items are industry standard and most frequently ordered.

SPEC-BLOK™ POWER DISTRIBUTION CONNECTORS

Unique, modular, made-to-order, power-distribution assemblies accommodate any number of supply and load conductors in any number of poles. Capacity matches the conductors accommodated and SPEC-BLOK™ assures uniform loading.

Adjacent poles are separated by easy-to-handle, wrap-around insulating covers which eliminate taping and reduce heat build-up by allowing air to flow freely around connectors. SPEC-BLOK™ is UL Listed for copper or aluminum conductors for 600 volts. (AL9CU) Assemblies are mounted on platforms suitable for easy installation in wireway or junction box.



Features and Benefits

- Accommodate unlimited conductors.
 - ◇ Fits wide range of applications.
 - Eliminates need for non-UL-listed improvisation.
- Connector elements tin-plated.
 - ◇ Provides high reliability, low-resistance connections.
- User friendly, space-saving design.
 - ◇ Easy to install. Saves labor.
- 94-VO rated insulation folds into place insulating the components.
 - ◇ Saves time and material. Allows easy installation.
- Connector caps removable for easy cable lay-in.
 - ◇ Saves labor. Makes installation easier.
 - Allows installation or straight-through conductors. Eases retrofit.
- Belleville washers built-in on pressure screw assemblies, except in assemblies installed with a 5/32" Allen wrench.
 - ◇ Provides high-integrity connections.
- Conductors can be cut or fed straight through.
 - ◇ Straight through installation ideal for riser applications.

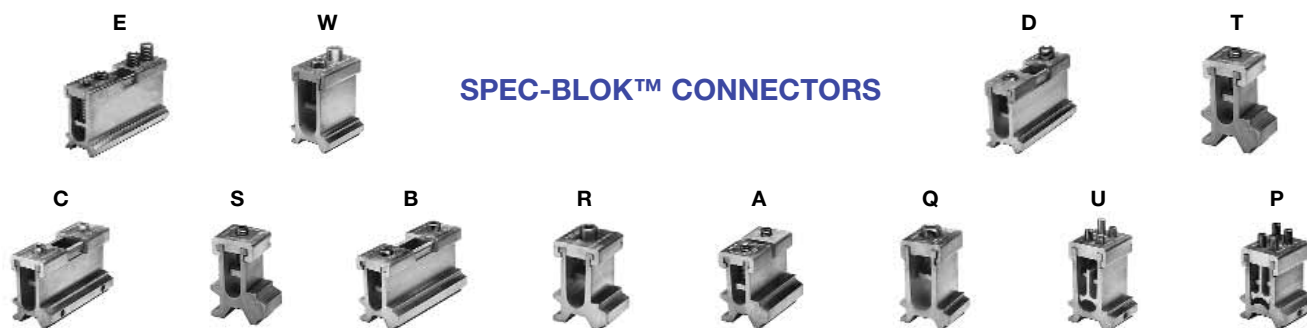
**Contact BURNDY® or Technical Services: 1-800-451-4956,
or BURNDY® Customer Service: 1-800-346-4175**

Blue highlighted items are industry standard and most frequently ordered.

SPEC-BLOK™

Features and Benefits

- The SPEC-BLOK™ system includes 12 connector elements
 - ◇ A wide variety of conductor sizes can be accommodated
- Each element can be bolted together in parallel
 - ◇ Provides an efficient flow of current from one element to another
- AL9CU rated for Copper or Aluminum conductors
 - ◇ Dual-rated system, with UL486B's highest temperature rating
- 2 Wire (series), 4 (parallel), and Multi-Tap versions available
 - ◇ Nearly any conductor combination can be terminated
- Tin-plated Aluminum Alloy Construction
 - ◇ High-strength, corrosion-resistant connector elements
- All SPEC-BLOKs™ are custom made for nearly any Power Distribution system requirement
 - ◇ Time savings — pre-assembled in our factory for immediate installation!



SPEC-BLOK™ CONNECTORS

Catalog Designation (Maximum Conductor)		Number of Conductors Accommodated		AL or CU Wire Range Under Each Cap		Dimensions				Allen Wrench Size
4 Conductor	2 Conductor	4 Conductor	2 Conductor	First Conductors MUST Be	Second Conductor (if required) May Be	Height On Max Conductors	Width	Length Without Insulator		
								4 Conductor	2 Conductor	
A	Q	1 to 4 (0, 1 or 2 per cap)	1 or 2 per cap	1/0-2/0	#12-2/0	2-9/16"	1-1/2"	2-1.8"	7/8"	5/32"
(2/0)				3/0-250	#6-250	3-1/8"	1-11/16"	4-1/4"	1-3/8"	1/4"
B	R			250-350	#6-350	3-5/16"	1-13/16"	4-5/8"	1-1/2"	
(250)				400-500	#6-500	4-1/16"	2"	5-5/8"	1-3/4"	3/8"
C	S			600-750	3/0-750	4-7/8"	2-1/4"	7-1/4"	2-5/8"	
(350)										
D	T									
(500)										
E	W									
(750)										

Catalog Designation (Maximum Conductor)	Number of Conductors Accommodated	Large Groove	Small Grooves**	Height On Maximum Conductors	Width	Length Without Insulator	Allen Wrench Size
P (1/0)	1 to 8 (0, 1 or 2 under each screw)	—	6-1/0	3-1/2"	2"	1-3/4"	5/32"
U (1/0 & 500)	2 to 9 (0, 1 or 2 under each screw plus one large conductor)	3/0-500	6-1/0	4-1/8"	2"		

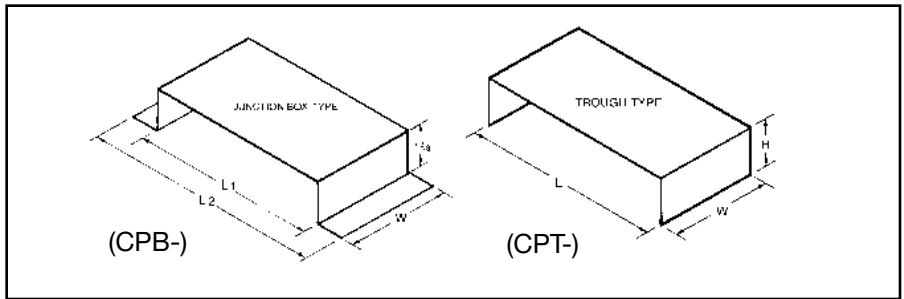
** This range may be expanded to include #8 provided two conductors are being installed in that particular element.

Blue highlighted items are industry standard and most frequently ordered.

SPEC-BLOK™

MOUNTING PLATFORMS

SPEC-BLOK™ Mounting Platforms are rigid steel construction with a black finish. They can be supplied for junction box mounting or wireway construction allowing trough conductors to pass underneath the assemblies.



Catalog Number	L (Nominal)	L (Overall)	W (Overall)
CPB6	6"	7-3/4"	2-1/2"
CPB8	8"	9-3/4"	2-1/2"
CPB10	10"	11-3/4"	2-1/2"
CPB12	12"	13-3/4"	3-1/2"
CPB14	14"	15-3/4"	3-1/2"
CPB16-5/8	16-5/8"	18-3/8"	3-1/2"
CPB21-1/4	21-1/4"	23"	3-1/2"

Catalog Number	L	W	H
CPT6	5-7/8"	2-1/2"	2-1/4"
CPT8	7-7/8"	3-1/2"	3"
CPT10	9-7/8"	3-1/2"	3-1/2"
CPT12	11-7/8"	3-1/2"	4"
CPT16	15-7/8"	3-1/2"	4"

SPEC-BLOK™ catalog numbers describe exactly how the distribution block is assembled:

5DR-NDST-GQP-12
(assembly pictured)

- 5 Total number of poles in the completed assembly
- DR One 'D' unit and one 'R' unit, bolted in parallel, forming each phase pole (3 phase poles)
- N Denotes the beginning of the neutral pole (where required)
- DST One 'D' unit, one 'S' unit, and on 'T' unit, bolted in parallel, forming the neutral pole
- G Denotes the beginning of the ground pole description (where required)
- QP One 'Q' unit and on 'P' unit, bolted in parallel, forming the ground pole.
- 12 Size (inches) of the wireway or trough that is needed to enclose the assembly. If a junction box enclosure is used, no number is used to denote the size of the enclosure.



SPEC-BLOK™ IS A SYSTEM THAT CAN SOLVE MOST POWER DISTRIBUTION APPLICATIONS!

Blue highlighted items are industry standard and most frequently ordered.

QUESTIONNAIRE
 FOR SPEC-BLOK™
 OR ELECTRO-RAIL™
 APPLICATIONS

What is the total capacity of the system? _____ amps

How many poles in the system

(3-wire, 4-wire, single phase, etc.)? _____ poles

Are neutral conductors (when required) different sizes (AWG/kcmil) than the phase conductors?

_____ the same size _____ different size

Is a ground connection required? Yes No

What are the **quantities, sizes** (AWG/kcmil) and material (Al/Cu) of the incoming line conductors and outgoing load conductors?

		QUANTITY	SIZE	CONDUCTOR TYPE (Cu/Al)
PER PHASE	LINE			
	LOAD			
PER NEUTRAL	LINE			
	LOAD			
PER GROUND	LINE			
	LOAD			

Are any conductors continuous? Yes No

If yes, which ones? _____

What kind of enclosure is connection assembly being mounted into and what are inside space dimensions?

Trough size _____

Box, panel, cabinet, other size _____

When is a quotation required? Date: _____

When is the material required? Date: _____

Is there a preference for a particular BURNDY® distributor? Yes No

If yes, give name, location & telephone Number:

Name: _____

Address: _____

Phone #: _____

Blue highlighted items are industry standard and most frequently ordered.

VERSI-POLE™

POWER DISTRIBUTION BLOCKS

VERSI-POLE™ Power Distribution Blocks are designed to provide modular solutions to power distribution applications. Each connector element is made from a high conductivity aluminum alloy which is insulated with a high strength polymer housing. One, two, and three pole versions available. “Add” a pole (snap-together) blocks are also available for wire sizes up to 500 kcmil. For use with Cu or Al. 600 V, AL9CU rated.



Features and Benefits

- “Add” a pole feature available.
 - ◊ Provides capability to create as many poles as required.
- Up to 30 tap conductors accommodated.
 - ◊ Ideal for current distribution to multiple locations.
- Single or dual run connections.
 - ◊ Allows user to minimize the number of connectors needed to do the job.
- Suitable for use with aluminum or copper conductors.
 - ◊ Provides maximum versatility.
- 600 V, AL9CU rated.*
 - ◊ Meets or exceeds industry standard requirements.
- Dead-front covers available
 - ◊ Provides user protection – one cover per pole.

* BDB-430-500-1 not UL recognized or CSA certified

VERSI-POLE™ Snap-Together Blocks

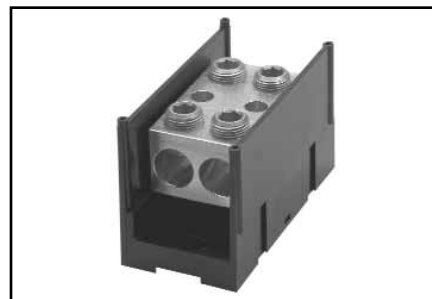
Catalog Number	Connector		Run	Tap	Ampere Rating per Pole	Number of Poles
	Run	Tap	Wire Range AL9CU	Wire Range AL9CU		
BDA-112-350			AWG 6 - 350 kcmil	AWG 14 - 4	310	ADDER
BDA-16-350			AWG 6 - 350 kcmil	AWG 14 - 2/0	310	ADDER
BDA-16-500			AWG 4 - 500 kcmil	AWG 4 - 2/0	380	ADDER
BDA-26-350			AWG 6 - 350 kcmil	AWG 14 - 2/0	620	ADDER
BDA-212-500			AWG 4 - 500 kcmil	AWG 14 - 4	760	ADDER
BDA-26-500			AWG 4 - 500 kcmil	AWG 14 - 2/0	760	ADDER
BDA-24-500			AWG 4 - 500 kcmil	AWG 6 - 4/0	760	ADDER
BDA-11-500			AWG 4 - 500 kcmil	AWG 4 - 500 kcmil	380	ADDER
BDA-22-350			AWG 6 - 350 kcmil	AWG 6 - 350 kcmil	620	ADDER
BDA-22-500			AWG 4 - 500 kcmil	AWG 4 - 500 kcmil	760	ADDER

NOTES:
 1. Order Optional BDB COVER1 per pole if desired.
 2. Snap-together blocks can also be assembled to 1, 2, 3 pole blocks to create multi-pole distribution blocks.

Blue highlighted items are industry standard and most frequently ordered.

VERSI-POLE™

VERSI-POLE™ 1, 2, 3 Pole Distribution Blocks



Catalog Number	Connector		Run	Tap	Ampere Rating per Pole	Number of Poles	Optional Cover Order 1 per Pole
	Run	Tap	Wire Range AL9CU	Wire Range AL9CU			
BDB-16-2/0-1						1	
BDB-16-2/0-2						2	BDBCORDER2
BDB-16-2/0-3						3	
BDB-26-2/0-1						1	
BDB-26-2/0-2						2	BDBCORDER2
BDB-26-2/0-3						3	
BDB-112-350-1						1	
BDB-112-350-2						2	BDBCORDER1
BDB-112-350-3						3	
BDB-16-350-1						1	
BDB-16-350-2						2	BDBCORDER1
BDB-16-350-3						3	
BDB-14-500-1						1	
BDB-14-500-2						2	BDBCORDER2
BDB-14-500-3						3	
BDB-16-500-1						1	
BDB-16-500-2						2	BDBCORDER1
BDB-16-500-3						3	
BDB-162-500-1						1	
BDB-162-500-2						2	BDBCORDER2
BDB-162-500-3						3	
BDB-26-350-1						1	
BDB-26-350-2						2	BDBCORDER1
BDB-26-350-3						3	
BDB-212-500-1						1	
BDB-212-500-2						2	BDBCORDER1
BDB-212-500-3						3	
BDB-26-500-1						1	
BDB-26-500-2						2	BDBCORDER1
BDB-26-500-3						3	
BDB-24-500-1						1	
BDB-24-500-2						2	BDBCORDER1
BDB-24-500-3						3	

Blue highlighted items are industry standard and most frequently ordered.

VERSI-POLE™



**VERSI-POLE™ 1, 2, 3
Splice/Reducer Blocks**

Catalog Number	Connector		Run	Tap	Ampere Rating per Pole	Number of Poles	Optional Cover Order 1 per Pole
	Run	Tap	Wire Range AL9CU	Wire Range AL9CU			
BDB-11-2/0-1 BDB-11-2/0-2 BDB-11-2/0-3			AWG 14 - 2/0	AWG 14 - 2/0	175	1 2 3	BDBCVER2
BDB-11-350-1 BDB-11-350-2 BDB-11-350-3			AWG 6 - 350 kcmil	AWG 6 - 350 kcmil	310	1 2 3	BDBCVER2
BDB-11-500-1 BDB-11-500-2 BDB-11-500-3			AWG 6 - 500 kcmil	AWG 6 - 500 kcmil	380	1 2 3	BDBCVER1
BDB-22-2/0-1 BDB-22-2/0-2 BDB-22-2/0-3			AWG 14 - 2/0	AWG 14 - 2/0	350	1 2 3	BDBCVER2
BDB-22-350-1 BDB-22-350-2 BDB-22-350-3			AWG 6 - 350 kcmil	AWG 6 - 350 kcmil	620	1 2 3	BDBCVER1
BDB-22-500-1 BDB-22-500-2 BDB-22-500-3			AWG 4 - 500 kcmil	AWG 4 - 500 kcmil	760	1 2 3	BDBCVER1

**SNAP TOGETHER
SPLICE/REDUCER
BLOCKS**



Catalog Number	Connector		Run	Tap	Ampere Rating per Pole	Number of Poles	Optional Cover Order 1 per Pole
	Run	Tap	Wire Range AL9CU	Wire Range AL9CU			
BDC-14-2/0-1			AWG 14 - 2/0	AWG 14 - 4	175	1	BDBCVER3
BDA-14-2/0-1			AWG 14 - 2/0	AWG 14 - 4	175	ADDER	BDBCVER3
BDC-11-2/0-1			AWG 14 - 2/0	AWG 14 - 2/0	175	1	BDBCVER3
BDA-11-2/0-1			AWG 14 - 2/0	AWG 14 - 2/0	175	ADDER	BDBCVER3

Blue highlighted items are industry standard and most frequently ordered.

VERSI-POLE™

(Continued)



VERSI-POLE™ 1, 2, 3 Splice/Reducer Blocks

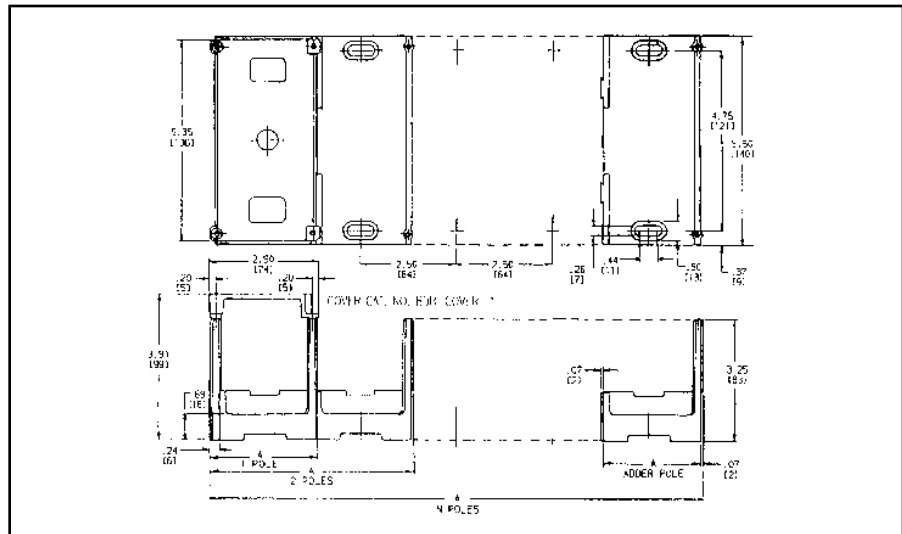
These tables and illustrations refer to VERSI-POLE™ Power Distribution Blocks listed on pages A-48 through A-50.

The Figure to the Lower Right is Applicable to the Following:

Catalog Number	Number of Poles	Catalog Number	Number of Poles
BDA-11-500	1 (adder)	BDB-16-500-3	3
BDA-112-350	1 (adder)	BDB-212-500-1	1
BDA-16-350	1 (adder)	BDB-212-500-2	2
BDA-16-500	1 (adder)	BDB-212-500-3	3
BDA-212-500	1 (adder)	BDB-22-350-1	1
BDA-22-350	1 (adder)	BDB-22-350-2	2
BDA-22-500	1 (adder)	BDB-22-350-3	3
BDA-24-500	1 (adder)	BDB-22-500-1	1
BDA-26-350	1 (adder)	BDB-22-500-2	2
BDA-26-500	1 (adder)	BDB-22-500-3	3
BDB-11-500-1	1	BDB-24-500-1	1
BDB-11-500-2	2	BDB-24-500-2	2
BDB-11-500-3	3	BDB-24-500-3	3
BDB-112-350-1	1	BDB-26-350-1	1
BDB-112-350-2	2	BDB-26-350-2	2
BDB-112-350-3	3	BDB-26-350-3	3
BDB-16-350-1	1	BDB-26-500-1	1
BDB-16-350-2	2	BDB-26-500-2	2
BDB-16-350-3	3	BDB-26-500-3	3
BDB-16-500-1	1	BDB-430-500-1	1
BDB-16-500-2	2		

No. of Poles	Dimensions A Inches
Adder	2.50
1	2.81
2	5.31
3	7.81
N	(2.50 X N) + .31

Example for 10 poles:
A = (2.50 X 10) + .31 = 25



Blue highlighted items are industry standard and most frequently ordered.

VERSI-POLE™

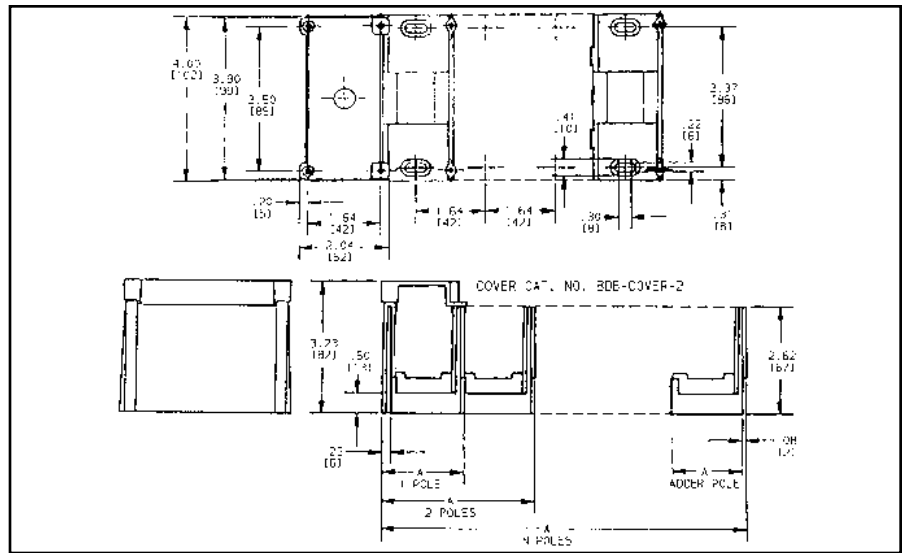
(Continued)



**VERSI-POLE™ 1, 2, 3
Splice/Reducer Blocks**

These tables and illustrations refer to VERSI-POLE™ Power Distribution Blocks listed on pages A-41 through A-55.

The Figure to the Right is Applicable to the Following:	
Catalog Number	Number of Poles
BDB-11-2/0-1	1
BDB-11-2/0-2	2
BDB-11-2/0-3	3
BDB-11-350-1	1
BDB-11-350-2	2
BDB-11-350-3	3
BDB-14-500-1	1
BDB-14-500-2	2
BDB-14-500-3	3
BDB-16-2/0-1	1
BDB-16-2/0-2	2
BDB-16-2/0-3	3
BDB-162-500-1	1
BDB-162-500-2	2
BDB-162-500-3	3
BDB-22-2/0-1	1
BDB-22-2/0-2	2
BDB-22-2/0-3	3
BDB-26-2/0-1	1
BDB-26-2/0-2	2
BDB-26-2/0-3	3



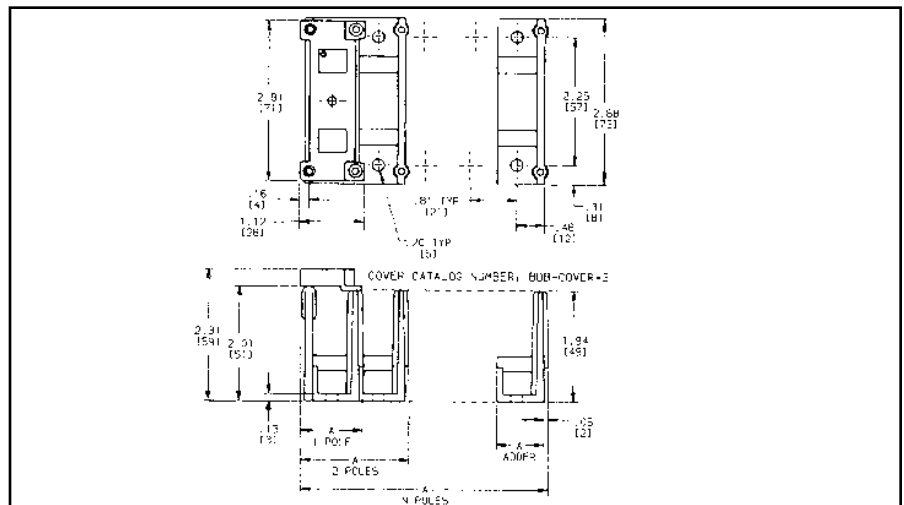
No. of Poles	Dimensions A Inches
Adder	1.64
1	1.94
2	3.57
3	5.20
N	(1.64 X N) + .30

Example for 10 poles:
A = (1.64 X 10) + .30 = 16.20

Applicable VERSI-POLE™ Items	
Catalog Number	Number of Poles
BDA-14-2/0-1	1 (adder)
BDC-14-2/0-1	1
BDA-11-2/0-1	1 (adder)
BDC-11-2/0-1	1

No. of Poles	Dimensions A Inches
Adder	.81
1	1.08
2	1.89
3	2.70
N	(.81 X N) + .27

Example for 10 poles:
A = (.81 X 10) + .27 = 8.37



Blue highlighted items are industry standard and most frequently ordered.

BURNDY® UNITAP™

TYPES BIT, BISR

Clear Insulated Multiple Tap Connectors

Tap connections and in-line splice/reductions are made quickly and easily with the UNITap™ line of connectors. UL486B Listed. Dual-rated AL9CU for any stranded copper or stranded aluminum applications. 600 Volt, 90° C.



Features and Benefits

- Clear Plastisol covered AL6061-T6 aluminum body.
 - ◇ Saves time, lowers installation costs, eliminates taping.
- Clear Plastisol.
 - ◇ Allows visual confirmation that conductor is properly inserted.
- Oxide inhibitor pre-installed.
 - ◇ Inhibits moisture and contaminants from entering the contact area.
- Range-taking.
 - ◇ Reduces number of connectors carried in inventory.

2 Port, 1 or 2 Sided Entry

Catalog Number	# of Ports	Wire Range (AWG/kcmil)	L	W	H	Hex Key	Fig. No.
BIT4	2	#14 - #4	1.16	1.16	1.25	1/8	1
BIT04	2	#14 - #4	1.16	1.50	1.25	1/8	2
BIT2/0	2	#14 - 2/0	1.52	1.40	1.38	3/16	1
BIT02/0	2	#14 - 2/0	1.52	1.56	1.38	3/16	2
BIT250	2	#10 - 250	2.03	2.07	2.13	5/16	1
BIT0250	2	#10 - 250	2.03	2.64	2.13	5/16	2
BIT350	2	#10 - 350	2.22	2.32	2.50	5/16	1
BIT0350	2	#10 - 350	2.22	3.00	2.50	5/16	2
BIT600	2	#4 - 600	2.72	2.38	2.75	3/8	1
BIT0600	2	#4 - 600	2.72	3.00	2.75	3/8	2
BIT750*	2	#2 - 750	2.87	2.70	3.00	3/8	1
BIT0750*	2	#2 - 750	2.87	3.38	3.00	3/8	2

* Not UL Listed.
UNITAP™ rated for code conductor only.

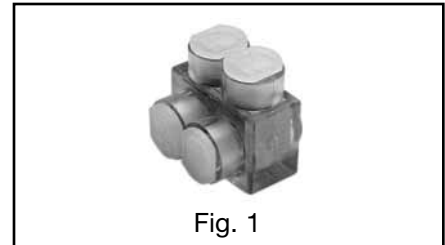


Fig. 1

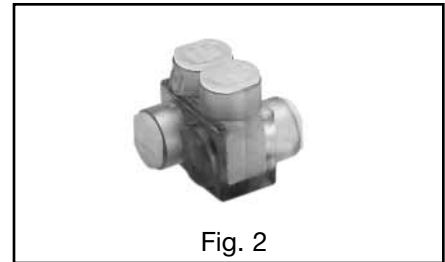
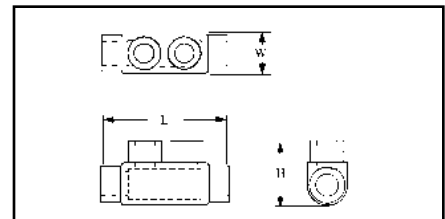


Fig. 2

In-Line Splicer/Reducer

Catalog Number	Wire Range (AWG/kcmil)	L	W	H	Hex Key
BISR2	#14 - 2	2.38	0.75	1.22	5/32
BISR1/0	#14 - 1/0	2.91	0.91	1.38	3/16
BISR250	#10 - 250	4.01	1.19	2.10	5/16
BISR350	#10 - 350	4.63	1.34	2.35	5/16
BISR500	#6 - 500	5.00	1.62	2.62	3/8

UNITAP™ rated for code conductor only.

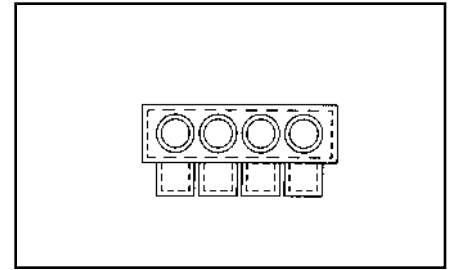
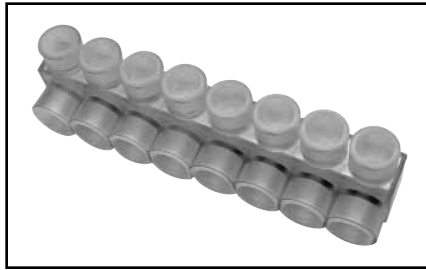


Blue highlighted items are industry standard and most frequently ordered.

BURNDY® UNITAP™



MULTI-PORT
Single-Sided Entry



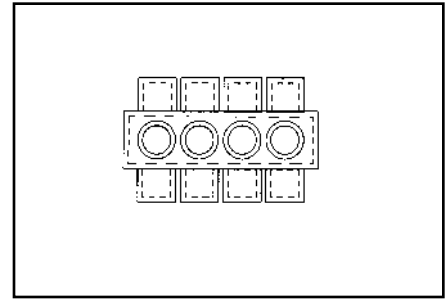
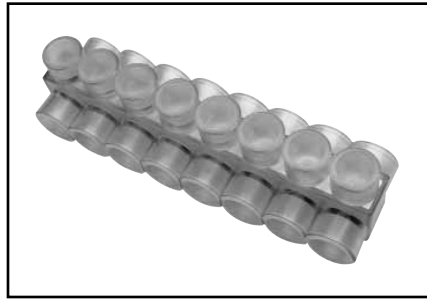
Catalog Number	# of Ports	Wire Range (AWG/kcmil)	L	W	H	Hex Key
BIBS4-3	3	#14 - 4	1.59	1.25	1.25	1/8
BIBS4-4	4	#14 - 4	2.03	1.25	1.25	1/8
BIBS4-5	5	#14 - 4	2.47	1.25	1.25	1/8
BIBS4-6	6	#14 - 4	2.91	1.25	1.25	1/8
BIBS4-8	8	#14 - 4	3.78	1.25	1.25	1/8
BIBS2/0-3	3	#14 - 2/0	2.19	1.31	1.38	3/16
BIBS2/0-4	4	#14 - 2/0	2.86	1.31	1.38	3/16
BIBS2/0-5	5	#14 - 2/0	3.53	1.31	1.38	3/16
BIBS2/0-6	6	#14 - 2/0	4.20	1.31	1.38	3/16
BIBS2/0-8	8	#14 - 2/0	5.55	1.31	1.38	3/16
BIBS2/0-10	10	#14 - 2/0	6.89	1.31	1.38	3/16
BIBS2/0-12	12	#14 - 2/0	8.24	1.31	1.38	3/16
BIBS2/0-14	14	#14 - 2/0	9.58	1.31	1.38	3/16
BIBS250-3	3	#10 - 250	2.97	2.07	2.13	5/16
BIBS250-4	4	#10 - 250	3.91	2.07	2.13	5/16
BIBS250-5	5	#10 - 250	4.84	2.07	2.13	5/16
BIBS250-6	6	#10 - 250	5.78	2.07	2.13	5/16
BIBS250-8	8	#10 - 250	7.66	2.07	2.13	5/16
BIBS250-10	10	#10 - 250	9.53	2.07	2.13	5/16
BIBS250-12	12	#10 - 250	11.41	2.07	2.13	5/16
BIBS250-14	14	#10 - 250	13.29	2.07	2.13	5/16
BIBS350-3	3	#10 - 350	3.13	2.32	2.50	5/16

Catalog Number	# of Ports	Wire Range (AWG/kcmil)	L	W	H	Hex Key
BIBS350-4	4	#10 - 350	4.04	2.32	2.50	5/16
BIBS350-5	5	#10 - 350	4.95	2.32	2.50	5/16
BIBS350-6	6	#10 - 350	5.86	2.32	2.50	5/16
BIBS350-8	8	#10 - 350	7.68	2.32	2.50	5/16
BIBS350-10	10	#10 - 350	9.50	2.32	2.50	5/16
BIBS350-12	12	#10 - 350	11.32	2.32	2.50	5/16
BIBS350-14	14	#10 - 350	13.14	2.32	2.50	5/16
BIBS600-3	3	#4 - 600	4.00	2.38	2.75	3/8
BIBS600-4	4	#4 - 600	5.28	2.38	2.75	3/8
BIBS600-5	5	#4 - 600	6.56	2.38	2.75	3/8
BIBS600-6	6	#4 - 600	7.84	2.38	2.75	3/8
BIBS600-8	8	#4 - 600	10.41	2.38	2.75	3/8
BIBS600-10	10	#4 - 600	12.97	2.38	2.75	3/8
BIBS600-12	12	#4 - 600	15.53	2.38	2.75	3/8
BIBS600-14	14	#4 - 600	18.09	2.38	2.75	3/8
BIBS750-3*	3	#2 - 750	4.25	2.70	3.00	3/8
BIBS750-4*	4	#2 - 750	5.63	2.70	3.00	3/8
BIBS750-6*	6	#2 - 750	8.37	2.70	3.00	3/8
BIBS750-8*	8	#2 - 750	11.13	2.70	3.00	3/8
BIBS750-10*	10	#2 - 750	13.87	2.70	3.00	3/8
BIBS750-12*	12	#2 - 750	16.63	2.70	3.00	3/8
BIBS750-14*	14	#2 - 750	19.37	2.70	3.00	3/8

* Not UL Listed.
UNITAP™ rated for code conductor only.

Blue highlighted items are industry standard and most frequently ordered.

BURNDY® UNITAP™


MULTI-PORT
Double-Sided Entry


Catalog Number	# of Ports	Wire Range (AWG/kcmil)	L	W	H	Hex Key
BIBD4-2	2	#14 - #4	1.16	1.50	1.25	1/8
BIBD4-3	3	#14 - #4	1.59	1.50	1.25	1/8
BIBD4-4	4	#14 - #4	2.03	1.50	1.25	1/8
BIBD4-5	5	#14 - #4	2.47	1.50	1.25	1/8
BIBD4-6	6	#14 - #4	2.91	1.50	1.25	1/8
BIBD4-8	8	#14 - #4	3.78	1.50	1.25	1/8
BIBD2/0-2	2	#14 - 2/0	1.52	1.56	1.25	3/16
BIBD2/0-3	3	#14 - 2/0	2.19	1.56	1.25	3/16
BIBD2/0-4	4	#14 - 2/0	2.86	1.56	1.25	3/16
BIBD2/0-5	5	#14 - 2/0	3.53	1.56	1.25	3/16
BIBD2/0-6	6	#14 - 2/0	4.20	1.56	1.25	3/16
BIBD2/0-8	8	#14 - 2/0	5.55	1.56	1.25	3/16
BIBD2/0-10	10	#14 - 2/0	6.89	1.56	1.25	3/16
BIBD2/0-12	12	#14 - 2/0	8.24	1.56	1.25	3/16
BIBD2/0-14	14	#14 - 2/0	9.58	1.56	1.25	3/16
BIBD250-2	2	#10 - 250	2.03	2.64	2.13	5/16
BIBD250-3	3	#10 - 250	2.97	2.64	2.13	5/16
BIBD250-4	4	#10 - 250	3.91	2.64	2.13	5/16
BIBD250-5	5	#10 - 250	4.84	2.64	2.13	5/16
BIBD250-6	6	#10 - 250	5.78	2.64	2.13	5/16
BIBD250-8	8	#10 - 250	7.66	2.64	2.13	5/16
BIBD250-10	10	#10 - 250	9.53	2.64	2.13	5/16
BIBD250-12	12	#10 - 250	11.41	2.64	2.13	5/16
BIBD250-14	14	#10 - 250	13.29	2.64	2.13	5/16
BIBD350-2	2	#10 - 350	2.22	3.00	2.50	5/16

Catalog Number	# of Ports	Wire Range (AWG/kcmil)	L	W	H	Hex Key
BIBD350-3	3	#10 - 350	3.13	3.00	2.50	5/16
BIBD350-4	4	#10 - 350	4.04	3.00	2.50	5/16
BIBD350-5	5	#10 - 350	4.95	3.00	2.50	5/16
BIBD350-6	6	#10 - 350	5.86	3.00	2.50	5/16
BIBD350-8	8	#10 - 350	7.68	3.00	2.50	5/16
BIBD350-10	10	#10 - 350	9.50	3.00	2.50	5/16
BIBD350-12	12	#10 - 350	11.32	3.00	2.50	5/16
BIBD350-14	14	#10 - 350	13.14	3.00	2.50	5/16
BIBD600-2	2	#4 - 600	2.56	3.00	2.75	3/8
BIBD600-3	3	#4 - 600	3.77	3.00	2.75	3/8
BIBD600-4	4	#4 - 600	4.97	3.00	2.75	3/8
BIBD600-5	5	#4 - 600	6.17	3.00	2.75	3/8
BIBD600-6	6	#4 - 600	7.37	3.00	2.75	3/8
BIBD600-8	8	#4 - 600	9.78	3.00	2.75	3/8
BIBD600-10	10	#4 - 600	12.97	3.00	2.75	3/8
BIBD600-12	12	#4 - 600	15.53	3.00	2.75	3/8
BIBD600-14	14	#4 - 600	18.09	3.00	2.75	3/8
BIBD750-2*	2	#2 - 750	2.87	3.38	3.00	3/8
BIBD750-3*	3	#2 - 750	4.25	3.38	3.00	3/8
BIBD750-4*	4	#2 - 750	5.63	3.38	3.00	3/8
BIBD750-6*	6	#2 - 750	8.37	3.38	3.00	3/8
BIBD750-8*	8	#2 - 750	11.13	3.38	3.00	3/8
BIBD750-10*	10	#2 - 750	13.87	3.38	3.00	3/8
BIBD750-12*	12	#2 - 750	16.63	3.38	3.00	3/8
BIBD750-14*	14	#2 - 750	19.37	3.38	3.00	3/8

NOTE: Only 1 conductor per port allowed.

* Not UL Listed.

UNITAP™ rated for code conductor only.

Blue highlighted items are industry standard and most frequently ordered.

BURNDY® UNITAP™

TYPES BIBS-MT, BIBD-MT

Clear Insulated
Multiple Tap Connectors

Mounting Version



The BIBS-MT and BIBD-MT series UNITAP™ offer the same multi-port capabilities as the standard UNITAP™ connectors except these -MT types are provided with two isolated mounting holes at both ends of the connector for direct mounting to a trough, gutter or wireway. They will accommodate up to standard 1/4" hardware.

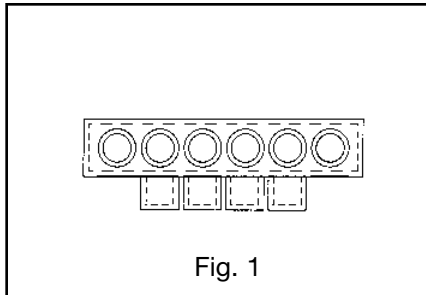


Fig. 1

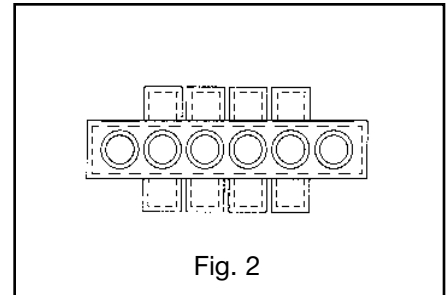


Fig. 2

**MULTI-PORT
Single-Sided Entry**

Catalog Number	Fig #	# of Ports	Wire Range (AWG/Kcmil)	L	W	H	Hex Key
BIBS2/04MT	1	4	#14-2/0	3.95	1.31	1.38	3/16
BIBS2/06MT	1	6	#14-2/0	5.29	1.31	1.38	3/16
BIBS2/08MT	1	8	#14-2/0	6.64	1.31	1.38	3/16
BIBS2/010MT	1	10	#14-2/0	7.98	1.31	1.38	3/16
BIBS2/012MT	1	12	#14-2/0	9.33	1.31	1.38	3/16
BIBS2504MT	1	4	#10-250	5.53	2.07	2.13	5/16
BIBS2506MT	1	6	#10-250	7.40	2.07	2.13	5/16
BIBS2508MT	1	8	#10-250	9.28	2.07	2.13	5/16
BIBS25010MT	1	10	#10-250	11.16	2.07	2.13	5/16
BIBS25012MT	1	12	#10-250	13.03	2.07	2.13	5/16
BIBS3504MT	1	4	#10-350	5.61	2.32	2.50	5/16
BIBS3506MT	1	6	#10-350	7.43	2.32	2.50	5/16
BIBS3508MT	1	8	#10-350	9.25	2.32	2.50	5/16
BIBS35010MT	1	10	#10-350	11.07	2.32	2.50	5/16
BIBS35012MT	1	12	#10-350	12.89	2.32	2.50	5/16
BIBS6004MT	1	4	#4-600	7.59	2.38	2.75	3/8
BIBS6006MT	1	6	#4-600	10.16	2.38	2.75	3/8
BIBS6008MT	1	8	#4-600	12.72	2.38	2.75	3/8
BIBS60010MT	1	10	#4-600	15.28	2.38	2.75	3/8
BIBS60012MT	1	12	#4-600	17.84	2.38	2.75	3/8

UNITAP™ rated for code conductor only.

**MULTI-PORT
Double-Sided Entry**

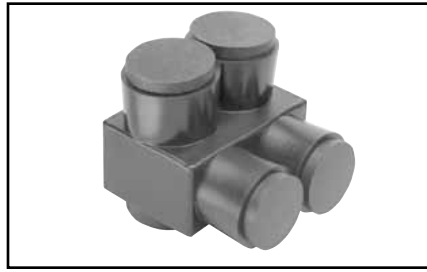
Catalog Number	Fig #	# of Ports	Wire Range (AWG/Kcmil)	L	W	H	Hex Key
BIBD2/04MT	2	4	#14-2/0	3.95	1.56	1.38	3/16
BIBD2/06MT	2	6	#14-2/0	5.29	1.56	1.38	3/16
BIBD2/08MT	2	8	#14-2/0	6.64	1.56	1.38	3/16
BIBD2/010MT	2	10	#14-2/0	7.98	1.56	1.38	3/16
BIBD2/012MT	2	12	#14-2/0	9.33	1.56	1.38	3/16
BIBD2504MT	2	4	#10-250	5.53	2.64	2.13	5/16
BIBD2506MT	2	6	#10-250	7.40	2.64	2.13	5/16
BIBD2508MT	2	8	#10-250	9.28	2.64	2.13	5/16
BIBD25010MT	2	10	#10-250	11.16	2.64	2.13	5/16
BIBD25012MT	2	12	#10-250	13.03	2.64	2.13	5/16
BIBD3504MT	2	4	#10-350	5.61	3.00	2.50	5/16
BIBD3506MT	2	6	#10-350	7.43	3.00	2.50	5/16
BIBD3508MT	2	8	#10-350	9.25	3.00	2.50	5/16
BIBD35010MT	2	10	#10-350	11.07	3.00	2.50	5/16
BIBD35012MT	2	12	#10-350	12.89	3.00	2.50	5/16
BIBD6004MT	2	4	#4-600	7.59	3.00	2.75	3/8
BIBD6006MT	2	6	#4-600	10.16	3.00	2.75	3/8
BIBD6008MT	2	8	#4-600	12.72	3.00	2.75	3/8
BIBD60010MT	2	10	#4-600	15.28	3.00	2.75	3/8
BIBD60012MT	2	12	#4-600	17.84	3.00	2.75	3/8

UNITAP™ rated for code conductor only.

Blue highlighted items are industry standard and most frequently ordered.

UV RATED BLACK UNITAP™

600V, 90°C



Features and Benefits

- UV Rated Plastisol covered AL6061-T6 aluminum body saves time by eliminating the need for taping.
- Oxide inhibitor pre-installed inhibits moisture and contaminants from entering the contact area.
- Range-taking capability reduces the number of connectors carried in inventory.
- UL486B Listed, AL9CU, 600V 90°C

Catalog Number	Number of Ports	Wire Range (AWG/kcmil)	Dimensions (Inches)			Hex Key (Torque) (In.-lbs.)
			L	W	H	
1PL42	2	#14 - 4	1.16	1.16	1.25	1/8 (45)
1PLO42	2	#14 - 4	1.16	1.50	1.25	1/8 (45)
1PL2/02	2	#14 - 2/0	1.52	1.40	1.38	3/16 (120)
1PLO2/02	2	#14 - 2/0	1.52	1.56	1.38	3/16 (120)
1PL2502	2	#10 - 250	2.03	2.07	2.13	5/16 (275)
1PLO2502	2	#10 - 250	2.03	2.64	2.13	5/16 (275)
1PL3502	2	#10 - 350	2.22	2.32	2.50	5/16 (275)
1PL6002	2	#4 - 600	2.72	2.38	2.75	3/8 (375)
1PLO6002	2	#4 - 600	2.72	3.00	2.75	3/8 (375)
1PBS2	2	#14 - 2	2.38	0.75	1.22	5/32 (45)
1PBS1/0	2	#14 - 1/0	2.91	0.91	1.38	3/16 (120)
1PBS250	2	#10 - 250	4.01	1.19	2.10	5/16 (120)
1PBS350	2	#10 - 350	4.63	1.34	2.35	5/16 (275)
1PBS500	2	#6 - 500	5.00	1.62	2.62	3/8 (375)
1PL43	3	#14 - 4	1.59	1.25	1.25	1/8 (45)
1PL44	4	#14 - 4	2.03	1.25	1.25	1/8 (45)
1PL2/03	3	#14 - 2/0	2.19	1.31	1.38	3/16 (120)
1PL2503	3	#10 - 250	2.97	2.07	2.13	5/16 (275)
1PLD43	3	#14 - 4	1.59	1.50	1.25	1/8 (45)
1PLD44	4	#14 - 4	2.03	1.50	1.25	1/8 (45)
1PLD2/02	2	#14 - 2/0	1.52	1.56	1.25	3/16 (120)
1PLD2/03	3	#14 - 2/0	2.19	1.56	1.25	3/16 (120)
1PLD2/04	4	#14 - 2/0	2.86	1.56	1.25	3/16 (120)
1PLD2/06	6	#14 - 2/0	4.20	1.56	1.25	3/16 (120)
1PLD2502	2	#10 - 250	2.03	2.64	2.13	5/16 (275)
1PLD2503	3	#10 - 250	2.97	2.64	2.13	5/16 (275)
1PLD2504	4	#10 - 250	3.91	2.64	2.13	5/16 (275)
1PLD2506	6	#10 - 250	5.78	2.64	2.13	5/16 (275)
1PLD3502	2	#10 - 350	2.22	3.00	2.50	5/16 (375)
1PLD3503	3	#10 - 350	3.13	3.00	2.50	5/16 (375)
1PLD3504	4	#10 - 350	4.04	3.00	2.50	5/16 (375)
1PLD3506	6	#10 - 350	5.86	3.00	2.50	5/16 (375)
1PLD3508	8	#10 - 350	7.68	3.00	2.50	5/16 (375)
1PLD6002	2	#4 - 600	2.56	3.00	2.75	3/8 (375)
1PLD6003	3	#4 - 600	3.77	3.00	2.75	3/8 (375)
1PLD6004	4	#4 - 600	4.97	3.00	2.75	3/8 (375)
1PLD6005	5	#4 - 600	6.17	3.00	2.75	3/8 (375)
1PLD6006	6	#4 - 600	7.37	3.00	2.75	3/8 (375)
1PLD6008	8	#4 - 600	9.78	3.00	2.75	3/8 (375)

1PL = 2 Port Single Sided Entry
1PLO = 2 Port Offset Entry
1PBS = In-line Splice/Reducer

1PL = Multi-Port Single Sided Entry
1PLD = Multi-Port Double Sided Entry
UNITAP™ rated for code conductor only.