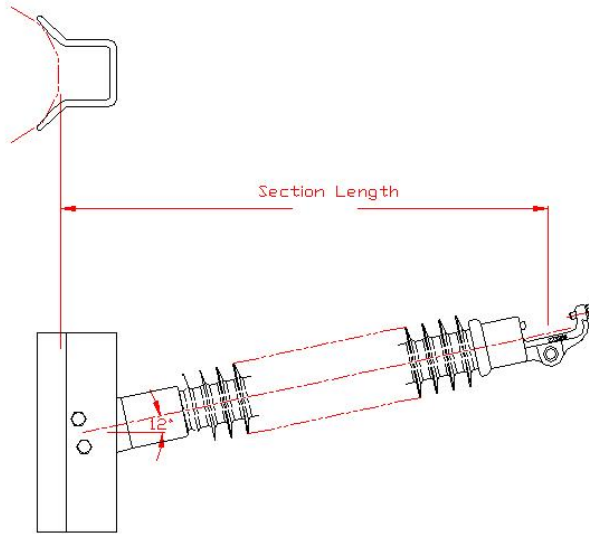


P250024S1020

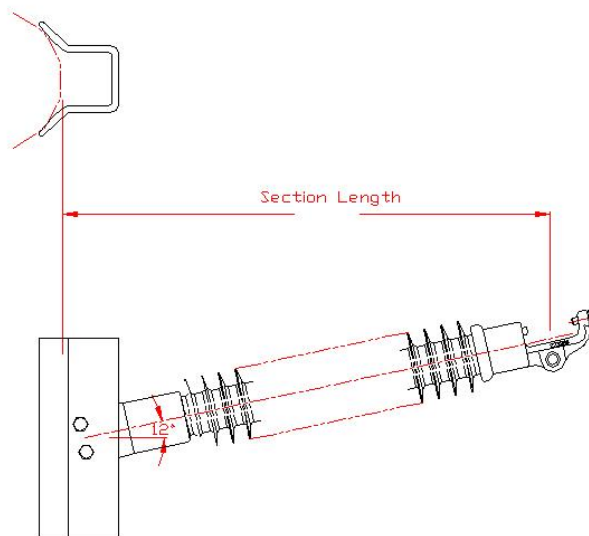


**Product Specifications**

|  |                                       |
|--|---------------------------------------|
| Typical System Voltage                     | 69kV / 115kV                          |
| Rod Diameter                               | 2.5 IN, 2.5"                          |
| Top/Ground End Fitting                     | Horizontal Clamptop                   |
| Bottom/Line End Fitting                    | Aluminum Gain 12" (305mm) CL mounting |
| Section Length                             | 37.7 IN (957 mm)                      |
| Leakage Distance                           | 63 IN (1600 mm)                       |
| Corona Ring                                | None                                  |
| Polymer Length                             | 24.39 IN                              |
| System Voltage (kV)                        | 69kV                                  |
| Dry Arc Distance                           | 25 IN (635 MM)                        |
| Number of Sheds                            | 20                                    |
| Shed Style                                 | Uniform                               |
| Shed Diameter                              | 5.06"                                 |
| SCL  | 5000 LB                               |
| RCL  | 2500 LB                               |
| Thickness of housing over Rod              | > 3MM                                 |
| ANSI 60Hz Dry FO                           | 255                                   |
| ANSI 60Hz Wet FO                           | 235                                   |
| IEC lightning Impulse Withstand - Positive | 385                                   |
| IEC lightning Impulse Withstand - Negative | 505                                   |

**Compressed Product Number**

P250024S1020





[Warranty Info](#) | [Trademarks](#) | [Terms of Use](#)

*All contents Copyright © 2007 Hubbell Power Systems, Inc. All rights reserved.*

NOTE: Because Hubbell has a policy of continuous product improvement, we reserve the right to change design and specifications without notice.