



Product Datasheet



ANDERSON FARGO

YPV30172592 -- Yoke



Yoke Plate, 90 degree Vee String, Ductile Iron, UTS 30,000 lb

Product Specifications

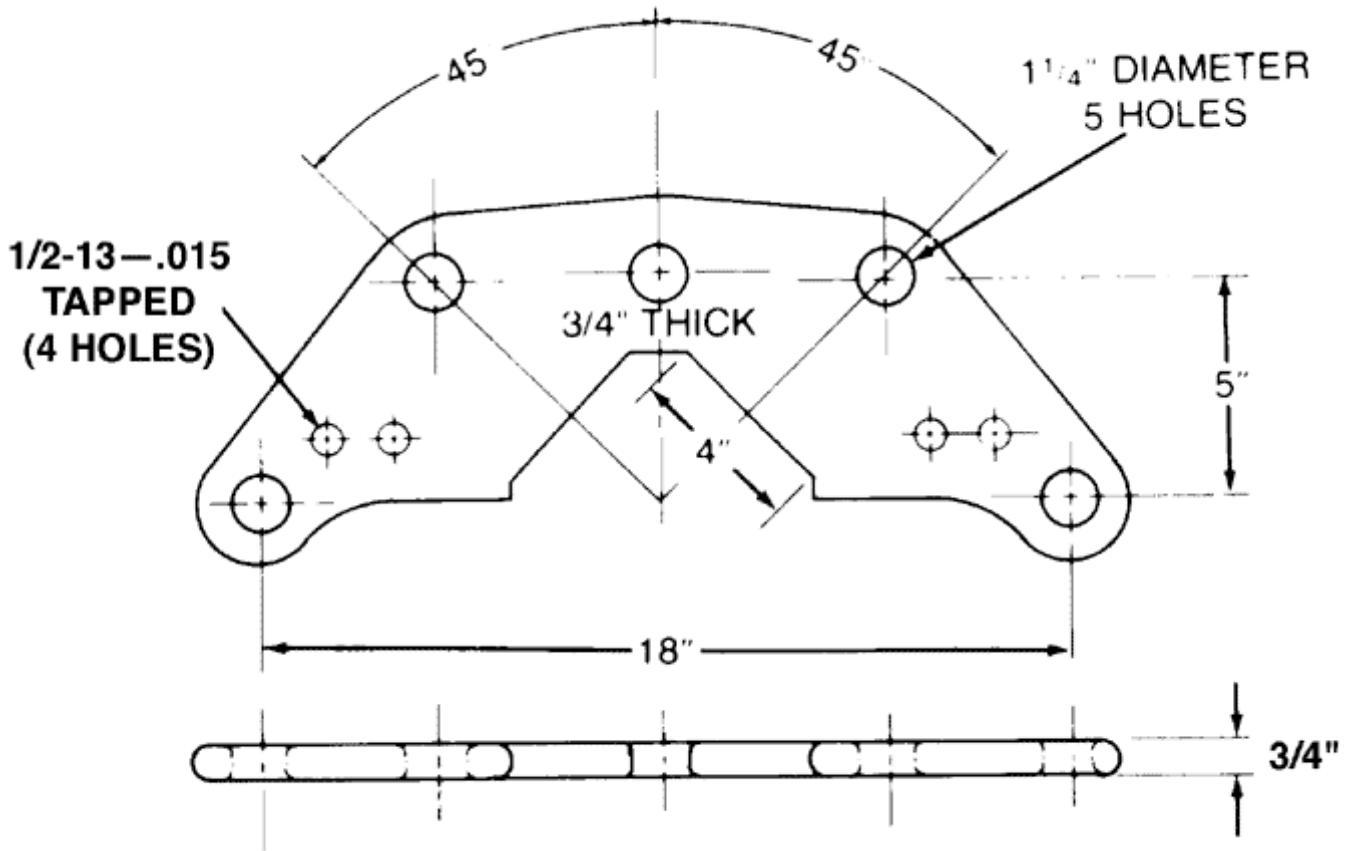
Hardware Family	 <p>Yoke Plates & Yoke Assemblies</p>
Yokes	 <p>YPV Series Yoke Plate, Dual-Bundle Vee-String Suspension Yokes</p>
Insulator / Conductor Hole Spacing	18.00 in (457 mm)
Ultimate Strength	30,000 lb (13,608 kg)
Coupling Length	7.071 in (179.6 mm)**
Material	Ductile Iron
Insulator Attachment Holes Diameter	1.250 in (31.75 mm)
Conductor Attachment Holes Diameter	1.250 in (31.75 mm)
Thickness	0.750 in (19.05 mm)
Material Type	Non-Standard
UPC Code	09635934542
Standard Package	1
Standard Package Unit	Each
Min Order Qty	1
Weight / Ea.	16.66 lbs

Notes

**Coupling length along insulator attachment axis.

Compressed Product Number

YPV30172592



[Catalog Home](#)



[Warranty Info](#) | [Trademarks](#) | [Terms of Use](#)

All contents Copyright © 2007 Hubbell Power Systems, Inc. All rights reserved.

NOTE: Because Hubbell has a policy of continuous product improvement, we reserve the right to change design and specifications without notice.