



**Product Datasheet**

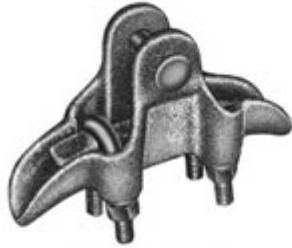
**ANDERSON FARGO**

**MS46S -- Suspension Clamp**



Suspension Clamp, Ductile Iron, for use with conductors 0.2 - 0.46 with fitting: Socket

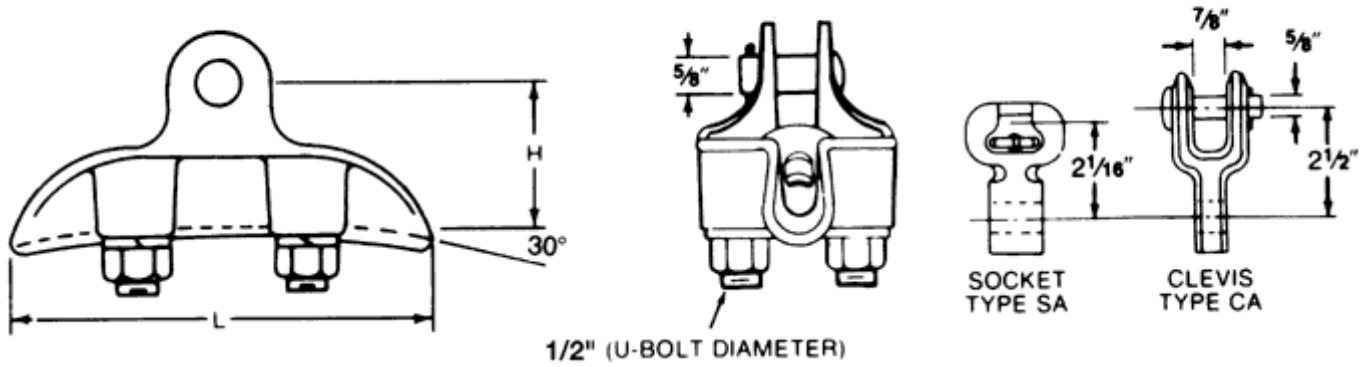
**Product Specifications**

Series	 <p>MS series Ground Wire Suspension Ductile Iron</p>
PDF Catalog Page	<a href="#">Click HERE to view the web page.</a>
Fitting	Socket
Clamp Material	Ductile Iron
Fitting Catalog No.	SA-04
Ultimate Body Strength	16,000 lbs (7,258 kgs)
Maximum Take-off Angle 0	30
Dimension H	2.00 in (50.8 mm)
Dimension L	5.63 in (142.9 mm)
Dimension W	0.88 in (22.2 mm)
Hardware Material	Galvanized Steel
Minimum - Maximum Conductor Size	Alumoweld 3 # 10 Thru Alumoweld 3 # 9 w/Armor Rods EHS 1/4 inch str (3) Thru EHS 1/4 inch str (7) w/Armor Rods
Clamping Range	0.20 - 0.46 in (5.08 - 11.68 mm)
Material Type	Non-Standard
UPC Code	09635932221
Standard Package	10
Standard Package Unit	Each

Min Order Qty	1
Weight / Ea.	4.018 lbs

**Compressed Product Number**

MS46S



[Catalog Home](#)



[Warranty Info](#) | [Trademarks](#) | [Terms of Use](#)

All contents Copyright © 2007 Hubbell Power Systems, Inc. All rights reserved.

NOTE: Because Hubbell has a policy of continuous product improvement, we reserve the right to change design and specifications without notice.