

# UVPP AND UVPPM UNIVERSAL VOLTAGE POWER PACKS

## INSTALLATION INSTRUCTIONS

### SPECIFICATIONS

- Input: 100 to 277VAC, 50/60Hz
- Output: 24VDC, 150mA (Class 2), short circuit protected
- Relay Contacts: 20A, 120VAC Incandescent  
20A, 120 or 277VAC Ballast  
1HP, 120 or 277VAC Motor Load
- Internally Isolated Power Supply
- Zero Arc Point Switching
- Mounts inside or outside junction box, or inside fixture ballast cavity
- Available with exclusive QTI (Quick-To-Install) system (UVPP version)
- Manual ON/OFF Support (UVPPM version)
- Powers up to 4 sensors
- Plenum rated
- UL and cUL Listed
- Five-year limited warranty

### PRECAUTIONS

- **CAUTION: RISK OF ELECTRICAL SHOCK.** Turn power off at service panel before beginning installation. Never wire energized electrical components.
- Read and understand all instructions before beginning installation.
- **NOTICE:** For installation by a licensed electrician in accordance with National and/or local Electrical Codes and the following instructions.
- **NOTICE:** For indoor use only.
- **CAUTION: USE COPPER CONDUCTOR ONLY**
- Confirm device ratings are suitable for application prior to installation. Use of device in applications beyond its specified ratings or in applications other than its intended use may cause an unsafe condition and will void manufacturer's warranty.
- **NOTICE:** Do not install if product appears to be damaged.
- **NOTICE:** Connect to field wiring rated for 60°C or greater.

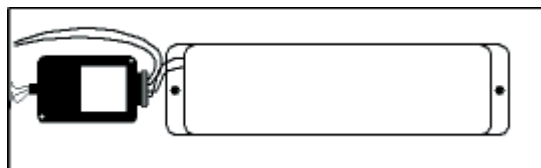
### SAVE THESE INSTRUCTIONS!

### UVPP and UVPPM INSTALLATION

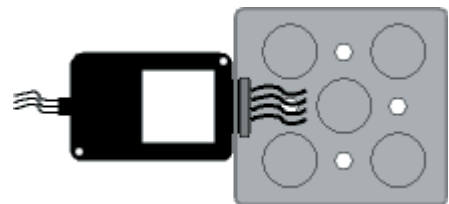
1. Turn power off at the service panel.
2. Mount unit in installation site. See mounting diagrams below. Use 6x32 pan head screws to secure unit if mounting inside junction box or in lighting fixture ballast cavity. A Low Voltage Nipple Adapter # LVNA (sold separately) is available for installing unit between two junction box knockouts.
3. Electrically connect the unit to the circuit as shown in the wiring diagrams on page 2.
4. Reapply power at service panel.



Mounts inside standard 4x4 junction box

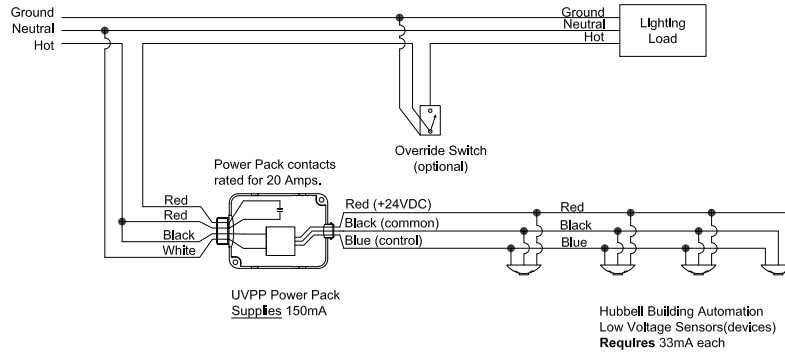


Mounts inside fixture ballast cavity

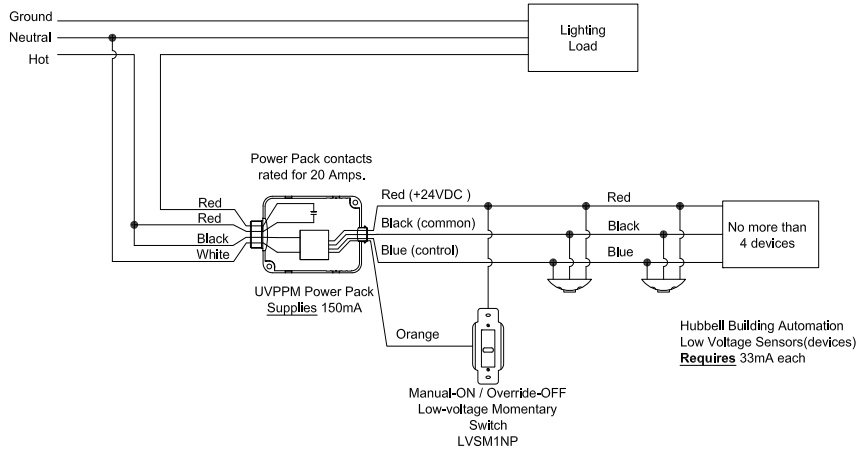


Mounts outside junction box via 1/2" EMT threaded nipple

## UVPP Wiring Diagram



## UVPPM Wiring Diagram



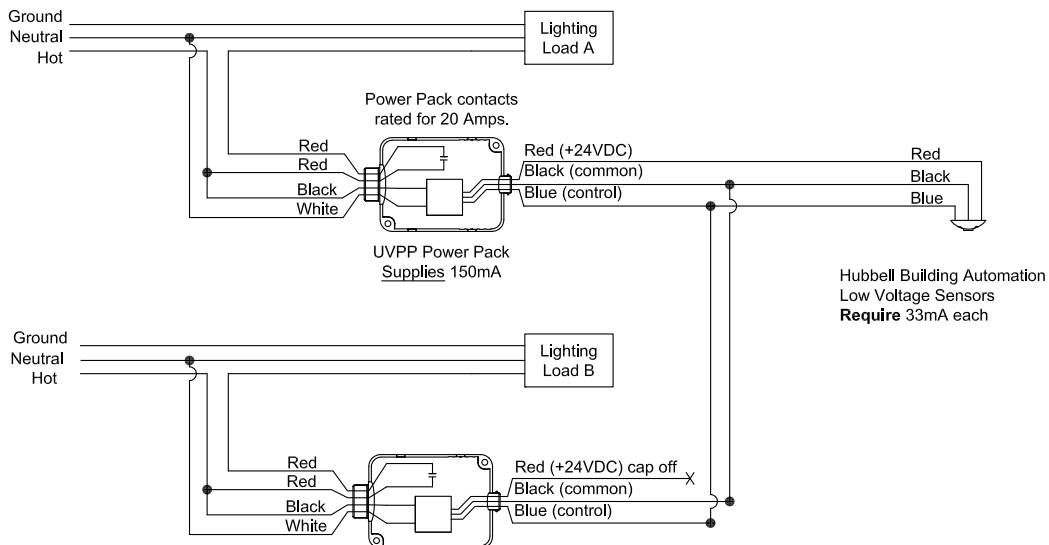
## UVPPM MANUAL ON/OFF OPERATION

The Manual ON input is intended for use with a momentary pushbutton switch. The momentary pushbutton switch should be connected between the Orange Manual ON wire and the Red +24VDC wire.

- Manual ON** – Users must press the momentary switch connected to the Manual ON lead in order to close the relay and turn on the load. +24VDC on the Blue Control wire must be detected within 30 seconds of activating the Manual ON switch to maintain the relay closed (Load ON) status. Pressing the manual switch while the load is ON turns the load OFF regardless of sensor status.
- Control In** – After the Manual ON input has been activated, applying +12-24VDC to the Blue Control wire maintains the state of the relay. Remove the Blue Control wire voltage and the relay opens and returns to the Load OFF state. This input is intended for sensor or control device input. Upon removal of the voltage signal from the Blue Control wire, there is a 30 second grace period. During this time, the power pack can re-activate the relay from a Blue Control wire signal without prior activation of the Manual ON switch.

## CONNECTING MORE THAN ONE POWER PACK

When required for increased load capacity or to control multiple voltages with one sensor, UVPP or UVPPM power packs can be connected as shown in the wiring diagram below.



**NOTE: Do Not connect the red (+24VDC) wires together. Cap off the red wire on all packs other than the first pack.**