



[Catalog Home](#)

Product Datasheet



ANDERSON FARGO

CCLS814C -- Terminal, Aluminum Compression



Terminal, Aluminum Compression, Cable to Flat, Short Barrel, cable range 0.772-0.814
pad: 4 hole, 3 in

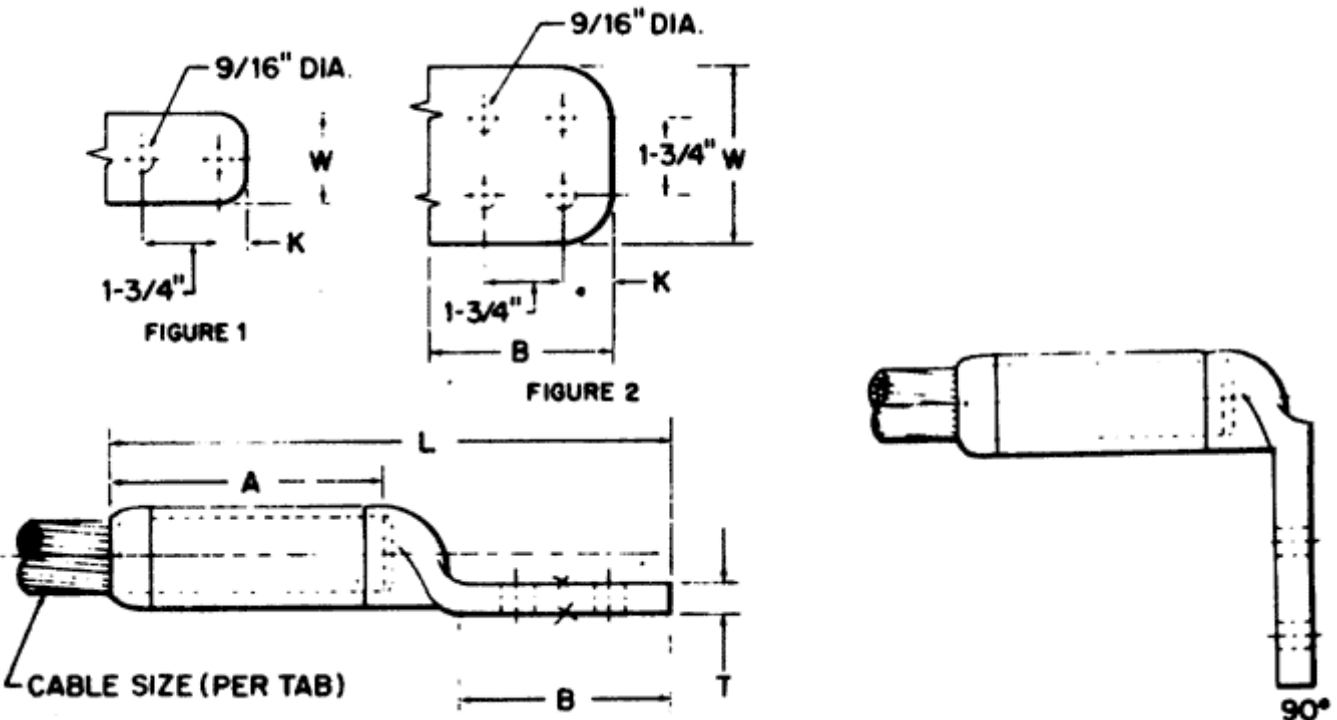
Product Specifications

<p>Family Image</p>	 <p>Terminals</p>
<p>Terminals</p>	 <p>CCLS Series Cable to Flat, Short Barrel Aluminum Compression Terminals</p>
<p>PDF Catalog Page</p>	<p>Click HERE to view the web page.</p>
<p>Pad Holes</p>	<p>4</p>
<p>Pad Width</p>	<p>3 in</p>
<p>Dimension A</p>	<p>3.50 in (88.9 mm)</p>
<p>Dimension B</p>	<p>3.13 in (79.38 mm)</p>
<p>Dimension K</p>	<p>0.63 in (15.88 mm)</p>
<p>Dimension L</p>	<p>7.38 in (187.32 mm)</p>
<p>Dimension T</p>	<p>0.50 in (12.7 mm)</p>
<p>Dimension W</p>	<p>2 in (50.8 mm)</p>
<p>Minimum Conductor</p>	<p>0.772</p>
<p>Maximum Conductor</p>	<p>0.814</p>
<p>Material Type</p>	<p>Standard</p>

UPC Code	09635929813
Standard Package	12
Standard Package Unit	Each
Min Order Qty	1
Weight / Ea.	0.686 lbs

Notes
 90 degree angle terminal may be specified by adding 90 suffix to catalog number.

Compressed Product Number
 CCLS814C



[Catalog Home](#)



[Warranty Info](#) | [Trademarks](#) | [Terms of Use](#)

All contents Copyright © 2007 Hubbell Power Systems, Inc. All rights reserved.

NOTE: Because Hubbell has a policy of continuous product improvement, we reserve the right to change design and specifications without notice.