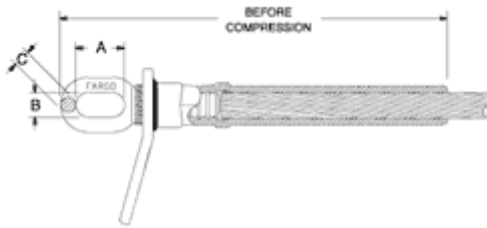




**Product Datasheet**

**ANDERSON FARGO**

**C011616NT -- Compression Deadend**



Compression Deadend, Uni-Grip, Single Tongue, Vertical Eye, for AAC, Dia. Range 1.426 - 1.52, Without Terminals

**Product Specifications**

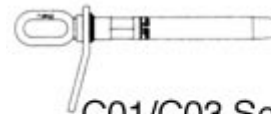
Category Image



**Compression Deadends**

Eye Type  
Aluminum UniGrip®  
(One Die)  
AAC, AAAC, ACAR &  
ACSR Conductor

Series Image (Comp Eye)



**C01/C03 Series**  
Compression Dead End  
Eye Type, Single Tongue  
Uni-Grip® (One Die)  
Full Tension  
AAC Conductor

PDF Catalog Page

[Click HERE to view the web page.](#)

Terminal Option

Without

Style

Uni-Grip, Single Tongue, Vertical Eye

Type

Compression

Material

Aluminum/Steel

Compression Method

Uni-Grip (single die system)

Die Size

16CD

Minimum Press (Tons)

60

Voltage Application

EHV & Std

Inhibitor Loaded

Yes

Body Material

Seamless Extruded Aluminum Alloy

Eye Material

Galvanized Forged Steel

Hardware Material

Aluminum Alloy

Length before Compression

18.7 in (474 mm)

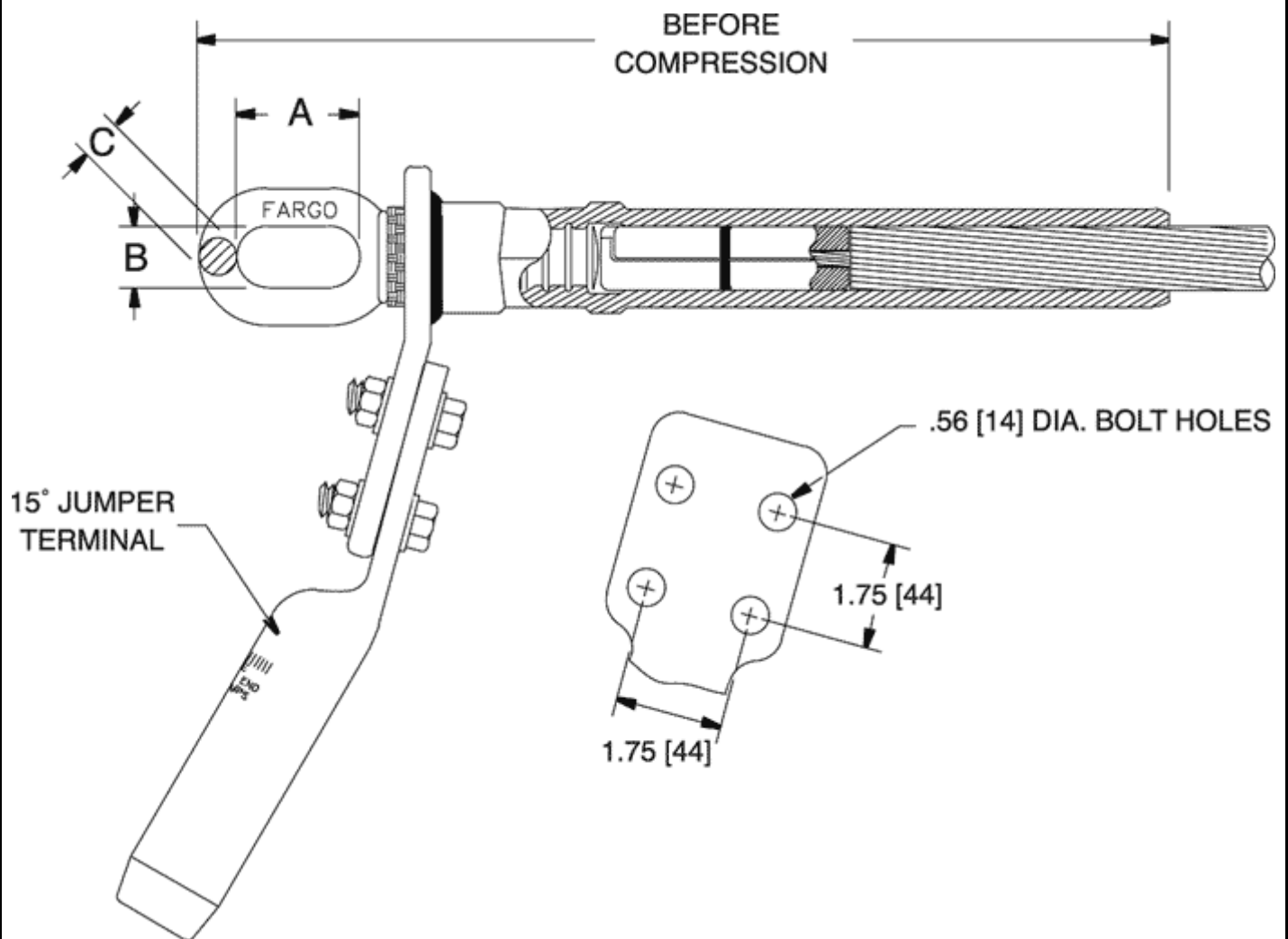
Dimension A

2.5 in (63 mm)

<b>Dimension B</b>	1.2 in (30 mm)
<b>Dimension C</b>	.94 in (23 mm)
<b>Pad Width</b>	3.0 in (76 mm)
<b>Bolt Holes</b>	4
<b>Conductor Range Minimum - Maximum</b>	AAC 1590 kcmil (61) Thru AAC 1700 kcmil (127)
<b>Minimum Conductor Diameter</b>	1.426
<b>Maximum Conductor Diameter</b>	1.52
<b>Weight / Ea.</b>	5.88 lbs
<b>Standard Package</b>	1
<b>UPC Code</b>	09635929339

### Compressed Product Number

C011616NT



Dimensions

[Catalog Home](#)



[Warranty Info](#) | [Trademarks](#) | [Terms of Use](#)

All contents Copyright © 2007 Hubbell Power Systems, Inc. All rights reserved.

NOTE: Because Hubbell has a policy of continuous product improvement, we reserve the right to change design and specifications without notice.