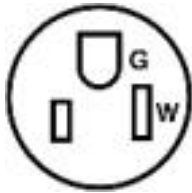




UPC Code: 07847786752

Country Of Origin: United States

NEMA:
5-15R



1547-P

Brand Features

The Leviton line of straight blade plugs and connectors includes: Black and White Industrial Grade devices that resist impact, corrosion and chemicals; Wetguard for water or moisture resistance; Dustguard for dust and dirt; Python, with an innovative interlocking design; rugged nylon flanged and outlets; and integrated inlets and outlets with weather resistant covers.

Item Description

15 Amp, 125 Volt, NEMA 5-15R, 2P, 3W, Connector, Straight Blade, Industrial Grade, Grounding, Corrosion Resistant, Dustguard - YELLOW

Technical Information

Electrical Specifications

Grounding: Grounding

Amperage: 15 A

Voltage: 125 VAC

Pole: 2

Wire: 3

Dielectric Voltage: Withstands 2000V per UL498

Current Limiting: Full Rated Current

Temperature Rise: Max 30C after 250 cycles OL at 200 percent rated current

Environmental Specifications

Flammability: Rated V-2 per UL 94

Operating Temperature: -40°C to 60°C

Environment: Corrosive

Material Specifications

Body Material: Santoprene TPV

Compression Nut, Strain Relief: Nylon

Wire Module: Thermoplastic

Bushing: Santoprene TPV

Blades/Contacts: Solid Brass

Assembly Screws: Stainless Steel

Terminal Screws: Electroless Nickel-coated Brass

Mechanical Specifications

Terminal ID: Brass-Hot, Green-Ground, Silver-Neutral

Terminal Accom.: 18-10 AWG

Product ID: Ratings and NEMA I.D. permanently marked on device

Cord Range: .375 - .655

Wire Gauge: 18-12 AWG

Product Features

NEMA: 5-15R

Color: Yellow

Brand: Dustguard

Standards and Certifications

NEMA: WD-6

ANSI: C-73

UL: 498

UL Fed Spec WC-596: File E13393

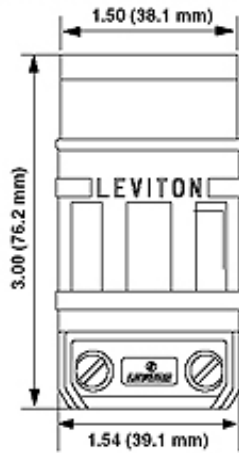
NOM: 057

Warranty: 2 Year Limited

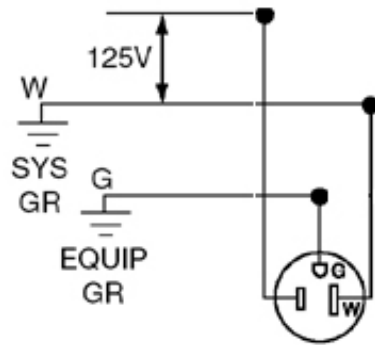
Features and Benefits

- Corrosion Resistant

Dimensional Diagram



Wiring Diagram



5-15R

SPECIFICATION SUBMITTAL

JOB NAME: <input type="text"/>	CATALOG NUMBERS: <input type="text"/>	<input type="text"/>
JOB NUMBER: <input type="text"/>	<input type="text"/>	<input type="text"/>

Leviton Manufacturing Co., Inc.

201 North Service Road, Melville, NY 11747

Teléfono: +1-800-323-8920 · FAX: +1-800-832-9538 · Tech Line (8:30AM-7:30PM E.S.T. Monday-Friday): +1-800-824-3005

Leviton Manufacturing of Canada, Ltd.

165 Hymus Boulevard, Pointe Claire, Quebec H9R 1E9 · Telephone: +1-800-469-7890 ·

FAX: +1-800-824-3005 · www.leviton.com/canada

Leviton S. de R.L. de C.V.

Lago Tana 43, Mexico DF, Mexico CP 11290 · Tel.: (+52)55-5082-1040 · FAX: (+52)5386-

1797 · www.leviton.com.mx

Visit our Website at: www.leviton.com

© 2018 Leviton Manufacturing Co., Inc. Todos los derechos reservados. Subject to change without notice.

Leviton has a global presence.

If you would like to know where your local Leviton office is located please go to:

www.leviton.com/international/contacts/

