



Price\* : 905.00 USD



## Main

Range of product	Modicon M340 automation platform
Product or component type	Mixed analog I/O module
Electrical connection	1 connector 20 ways
Input output isolation	Non isolated
Input level	High level
Analogue input number	4
Analogue input type	Current 0...20 mA Current 4...20 mA Voltage +/- 10 V Voltage 0...10 V Voltage 0...5 V Voltage 1...5 V

## Complementary

Analogue input resolution	12 bits 0...20 mA 12 bits 0...5 V 12 bits 1...5 V 12 bits 4...20 mA 13 bits 0...10 V 14 bits +/- 10 V
Permitted overload on inputs	+/- 30 mA 0...20 mA +/- 30 mA 4...20 mA +/- 30 V +/- 10 V +/- 30 V 0...10 V +/- 30 V 0...5 V +/- 30 V 1...5 V
Internal conversion resistor	250 Ohm
Precision of internal conversion resistor	0.1 % - 15 ppm/°C
Type of filter	First order digital filtering by firmware
Fast read cycle time	1 ms + 1 ms x number of channels used

Nominal read cycle time	5 ms for 4 channels
Measurement error	0.25 % of full scale 0...20 mA 25 °C 0.25 % of full scale 4...20 mA 25 °C <= 0.35 % of full scale +/- 10 V 0...60 °C <= 0.35 % of full scale 0...10 V 0...60 °C <= 0.35 % of full scale 0...5 V 0...60 °C <= 0.35 % of full scale 1...5 V 0...60 °C <= 0.5 % of full scale 0...20 mA 0...60 °C <= 0.5 % of full scale 4...20 mA 0...60 °C <= 0.6 % of full scale +/- 10 V 0...60 °C <= 0.6 % of full scale 0...20 mA 0...60 °C <= 0.6 % of full scale 4...20 mA 0...60 °C 0.25 % of full scale 0...10 V 25 °C 0.25 % of full scale 0...5 V 25 °C 0.25 % of full scale 1...5 V 25 °C 0.35 % of full scale 0...20 mA 25 °C 0.35 % of full scale 4...20 mA 25 °C 0.25 % of full scale +/- 10 V +/- 10 V 25 °C
Temperature drift	100 ppm/°C +/- 10 V 100 ppm/°C 0...20 mA 100 ppm/°C 4...20 mA 30 ppm/°C +/- 10 V 30 ppm/°C 0...10 V 30 ppm/°C 0...5 V 30 ppm/°C 1...5 V 50 ppm/°C 0...20 mA 50 ppm/°C 4...20 mA
Recalibration	Factory calibrated on outputs Internal on inputs
Isolation voltage	1400 V DC between channels and ground 1400 V DC between channels and bus 750 V DC between group of I/O channels
Output level	High level
Analogue output number	2
Analogue output type	Current 0...20 mA Current 4...20 mA Voltage +/- 10 V
Analogue output resolution	11 bits 0...20 mA 11 bits 4...20 mA 12 bits +/- 10 V
Conversion time	<= 2 ms
Maximum conversion value	+/- 11.25 V 0...10 V +/- 11.25 V 0...5 V +/- 11.25 V 1...5 V 0...24 mA 0...20 mA 0...24 mA 4...20 mA 0...30 mA 0...20 mA 0...30 mA 4...20 mA +/- 11.25 V +/- 10 V +/- 10 V
Fallback mode	Predefined Configurable
Status LED	1 LED green RUN 1 LED per channel green channel diagnostic 1 LED red ERR 1 LED red I/O
Product weight	0.34 lb(US) (0.155 kg)
Current consumption	150 mA at 3.3 V DC 130 mA at 24 V DC

## Environment

Ambient air temperature for operation	32...140 °F (0...60 °C)
Relative humidity	10...95 % without condensation
IP degree of protection	IP20
Protective treatment	TC

### Ordering and shipping details

Category	18160 - MODICON M340
Discount Schedule	PC34
GTIN	00785901681823
Nbr. of units in pkg.	1
Package weight(Lbs)	0.39000000000000001
Returnability	Y
Country of origin	FR

### Offer Sustainability

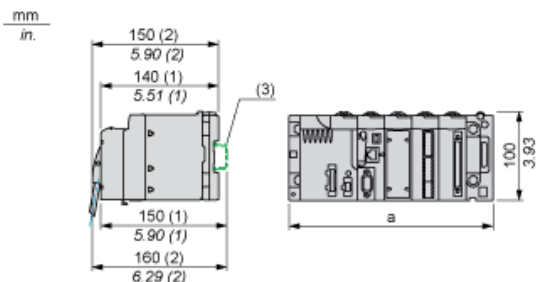
Sustainable offer status	Green Premium product
RoHS (date code: YYWW)	Compliant - since 0805 - Schneider Electric declaration of conformity <a href="#">Schneider Electric declaration of conformity</a>
REACH	Reference not containing SVHC above the threshold <a href="#">Reference not containing SVHC above the threshold</a>
Product environmental profile	Available
Product end of life instructions	Available

### Contractual warranty

Warranty period	18 months
-----------------	-----------

Modules Mounted on Racks

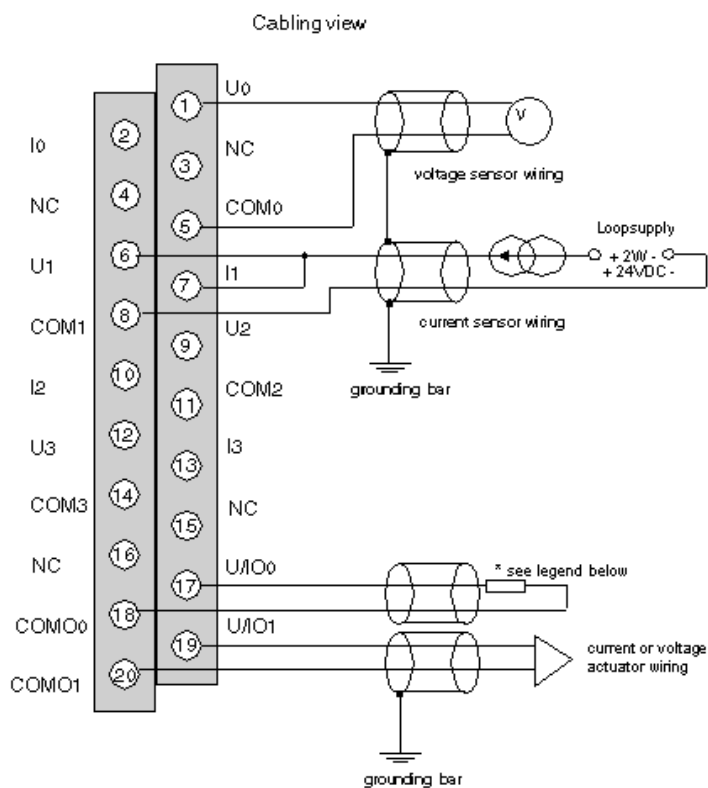
Dimensions



- (1) With removable terminal block (cage, screw or spring).
- (2) With FCN connector.
- (3) On AM1 ED rail: 35 mm wide, 15 mm deep. Only possible with BMXXBP0400/0400H/0600/0600H/0800/0800H rack.

Rack references	a in mm	a in in.
BMXXBP0400 and BMXXBP0400H	242.4	09.54
BMXXBP0600 and BMXXBP0600H	307.6	12.11
BMXXBP0800 and BMXXBP0800H	372.8	14.68
BMXXBP1200 and BMXXBP1200H	503.2	19.81

Wiring Diagram



Ux + pole input for channel x

COMx pole input for channel x

U/IOx+ pole output for channel x

COM0x pole output for channel x

\* The current loop is self-powered by the output and does not request any external supply.