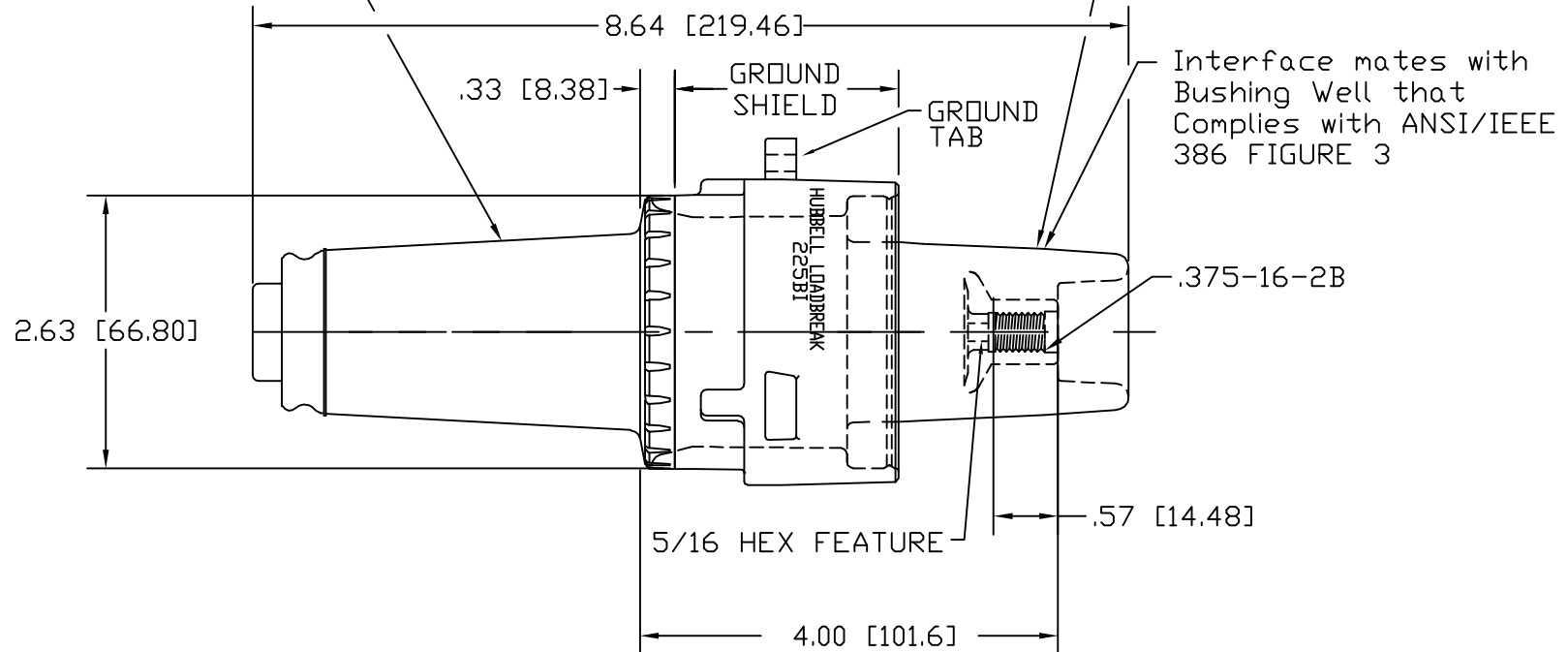


Interface Complies with ANSI/IEEE 386 FIGURE #7

Bushing Insert must be turned into bushing well until firmly seated. Ground Shield of the bushing insert must be in contact with the Ground Shield of the Bushing Well.



25KV BUSHING INSERT

Part Number for special packaging	Notes
225BIBP	1. Units to be bulk packed in a larger bag, 125 units in a box (42x21). Box marked with duplicate on same pallet and share a single lb. 250 units per pallet. 2. Does not include instruction sheet or silicone lubricant.
225BICM	1. Units to be bulk packed in a master bag, 20 units per bag. 2. Includes a pre-pack of instruction sheet (1) and silicone lubricant (20).
225BIFPC	1. Includes customer's part number.
225BITM	1. Includes customer's part number.

REV DATE 07/15/13

				<b>HUBBELL POWER SYSTEMS</b>			
				TITLE <b>INSERT 25 KV BUSHING</b>			
CONFIDENTIAL: THIS DRAWING AND ITS CONTENTS ARE CONFIDENTIAL AND THE EXCLUSIVE PROPERTY OF HUBBELL POWER SYSTEMS. NO PUBLICATION, DISTRIBUTION OR COPIES MAY BE MADE WITHOUT THE WRITTEN CONSENT OF HUBBELL POWER SYSTEMS. HUBBELL POWER SYSTEMS UNPUBLISHED ALL RIGHTS RESERVED UNDER THE COPYRIGHT LAWS.		SIZE <b>B</b>	DWG NO. --	CAT / PART / ASSY NO. <b>225B1</b>	REV <b>2</b>		
DO NOT SCALE THIS DRAWING	DRN BY JVR	DATE 02/22/07	SHEET 1 OF 1				