

# INSTALLATION INSTRUCTIONS

## VB/WW SERIES

### CAUTION:

BE SURE POWER IS "OFF"  
PRIOR TO INSTALLATION OR  
REPAIRS!

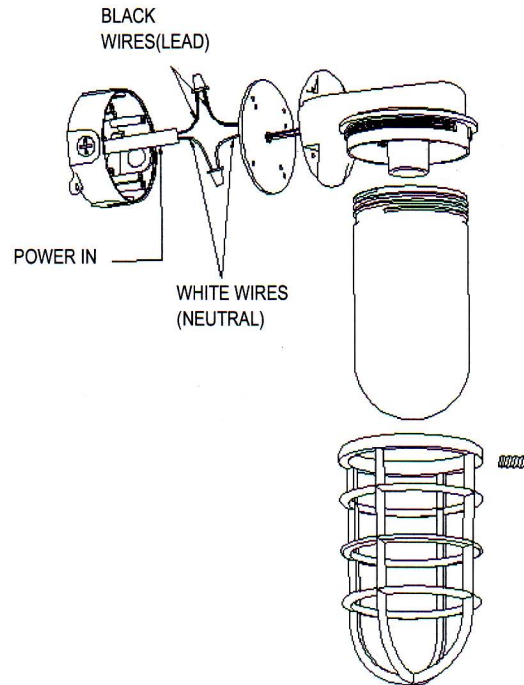
CONSULT A QUALIFIED  
ELECTRICIAN TO ENSURE  
CORRECT BRANCH CIRCUIT  
CONDUCTOR.

### FIXTURE INSTALLATION:

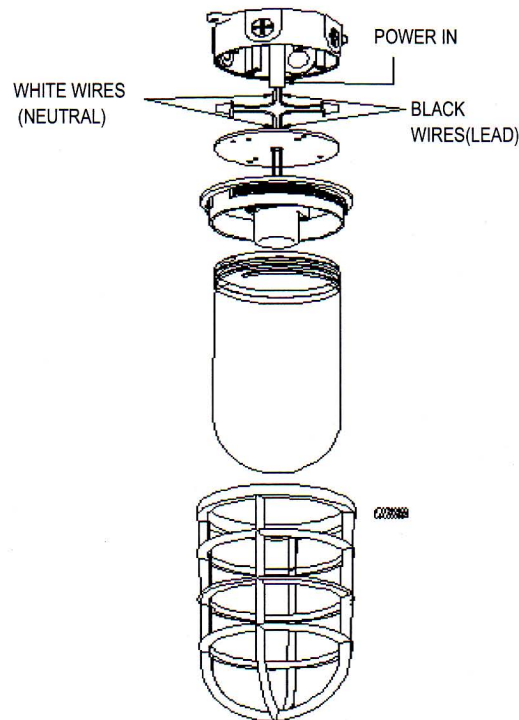
1. Connect ground wire, from power supply, to ground post in junction box.
2. Connect other wires as shown.
3. Attach fixture to Junction box.
4. Install gasket to socket housing then install lamp, lens and guard and turn on power.

### RELAMPING:

1. Turn off power, remove guard, glass lens.
2. Replace lamp using:  
150W max. Incandescent lamp for fixtures(VBGG-150, VWGG-150)  
300W max. Incandescent lamp for fixtures (VBGG-300, VWGG-300)
3. Re-install glass lens and guard.



WALL MOUNT



CEILING/PENDENT MOUNT



Outdoor Lighting