

## Curved-Basket Wraps



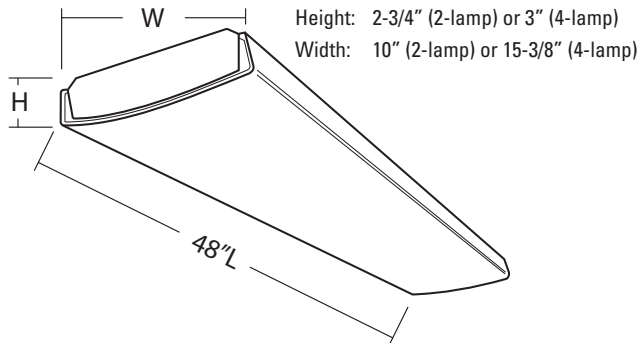
## FEATURES

- Designed for applications requiring a clean, decorative appearance
- Provides high angle brightness control
- Acrylic prismatic diffuser with luminous ends soften appearance
- Intended for surface or stem mounting, unit or row installation

## ORDERING INFORMATION

Catalog Number	UPC	Description	# of Lamps	Wattage	# of Ballast	Voltage	Ballast Type	Lamp Included	Pallet Qty.	Standard Carton Qty.
LB232 MV	745975088508	Wraparound	2	32	1	120-277	NEMA Premium®, Instant Start	N	56	1
LB432 MV	745975088492	Wraparound	4	32	1	120-277	NEMA Premium®, Instant Start	N	34	1

## DIMENSIONS



## ACCESSORIES

- **DLB48** 48" Replacement Lens for 2-Lamp
- **D2LB48** 48" Replacement Lens for 4-Lamp

Certain airborne contaminants can diminish integrity of acrylic. See pg.132 for Acrylic Compatibility table for suitable uses.