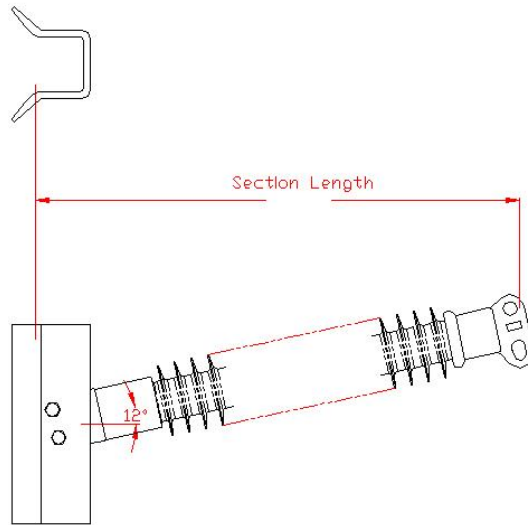


P250048S0020

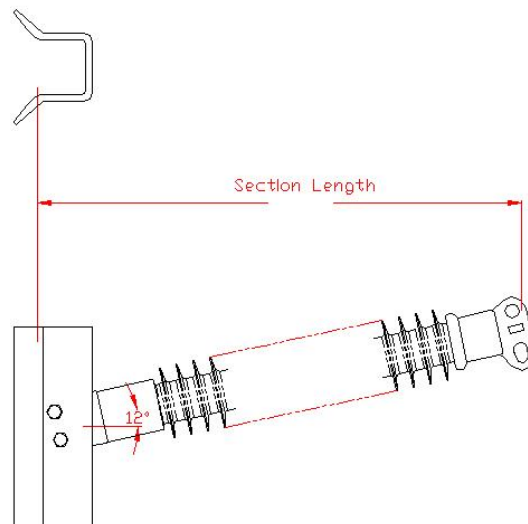


Product Specifications

Typical System Voltage	138kV / 161kV
Rod Diameter	2.5 IN, 2.5"
Top/Ground End Fitting	Tear Drop Blade
Bottom/Line End Fitting	Aluminum Gain 12" (305mm) CL mounting
Section Length	60.6 IN (1539 MM)
Leakage Distance	126 IN (3200 MM)
Corona Ring	None
Polymer Length	48.59 IN
System Voltage (kV)	161kV
Dry Arc Distance	49.2 IN (1249 MM)
Number of Sheds	40
Shed Style	Uniform
Shed Diameter	5.06"
SCL	2920 LB
RCL	1460 LB
Thickness of housing over Rod	> 3MM
ANSI 60Hz Dry FO	515
ANSI 60Hz Wet FO	450
IEC lightning Impulse Withstand - Positive	770
IEC lightning Impulse Withstand - Negative	880

Compressed Product Number

P250048S0020





[Warranty Info](#) | [Trademarks](#) | [Terms of Use](#)

All contents Copyright © 2007 Hubbell Power Systems, Inc. All rights reserved.

NOTE: Because Hubbell has a policy of continuous product improvement, we reserve the right to change design and specifications without notice.