

ACCESSPLUS DOUBLE-HINGE, TYPE 1



INDUSTRY STANDARDS

UL 2416; Type 1; File No. E230874
cUL Listed per CSA C22.2 No. 182.4

EIA 310-D
NEMA/EEMAC Type 1
EIC 60529 IP20
Per BICSI TDMM Tenth edition, Chapter 7, Telecommunication Enclosures (TE)

APPLICATION

AccessPlus Cabinets provide security, equipment access, cooling and support for network and other 19-in. rack-mount equipment. The cabinet has three components: front door, center section and wall section.

FEATURES

- Double-hinged for easy equipment access; center section provides 19-in. rack mounting per EIA universal spacing and is accessed through the front door or swing the center section away from the wall section for rear access
- Round corners; no sharp edges
- Front door has either a solid steel or hardened, tinted safety-glass window door for superior scratch resistance
- Center section easily removed from rear section; tool-less one-person installation possible
- Self-grounding, plated steel rack angles fully adjustable within center section
- Wall section provides cable entry and cable management with knockouts or gland plates
- Gland plate model provides easy retrofit and fast installation and allows for pre-terminated cables or pre-wired patch panels; no need to re-terminate and test
- Self-locking center-to-wall section latches in two locations
- Front access to all latches (no exposed side latches); cabinet can be installed tightly in corners
- Vented sides provide cross flow ventilation to improve heat dissipation
- Vertical cable manager included in 28-in.-wide models
- A full line of accessories is available
- One set of plated, self-grounding, tapped 10-32 rack angles per EIA universal spacing standards, which can be adjusted front-to-back, is provided with each center section of the cabinet; additional tapped- or square-hole rack angles can be added to the cabinet to provide additional mounting

SPECIFICATIONS

Front Door (window or solid steel)

- Composite frame (injection molded top and bottom with extruded composite sides)
- 140-degree opening door
- Field-reversible (left or right) hinge
- Quarter-turn key lock, two keys included
- Window door is scratch-resistant 1/4-in. tinted safety glass
- Solid door has 16 gauge steel insert with matching black finish

Center Section

- Welded 14 gauge steel
- Solid top of center sections provides protection against falling debris
- Ventilated sides (to which fans can be added)
- Self-latching closure connects center section to wall section
- Self-alignment ramp supports center section to wall section
- Heavy duty center-to-rear section hinge with quick-release self-retained hinge pin eases wall installation

Rack-Mounting Angles

- 12 gauge, plated steel
- EIA universal spaced 19-in. rack-mounting holes
- RU marked from bottom to top
- Tapped 10-32 holes, 20 mounting screws included

Rear Wall Section

- Welded 14 gauge steel
- Radius corners; no sharp edges
- Available with knockouts or gland plates
- Raised pads for accessory mounting
- Cable tie-down points for cable management
- Keyhole mounting holes allow wall section to be mounted over fasteners and eases installation
- Three cable-entry grommets

FINISH

Pretreated steel coated with RAL 9005 black light-textured, low-gloss polyester powder paint. Other finishes available—contact nVent HOFFMAN Customer Service.

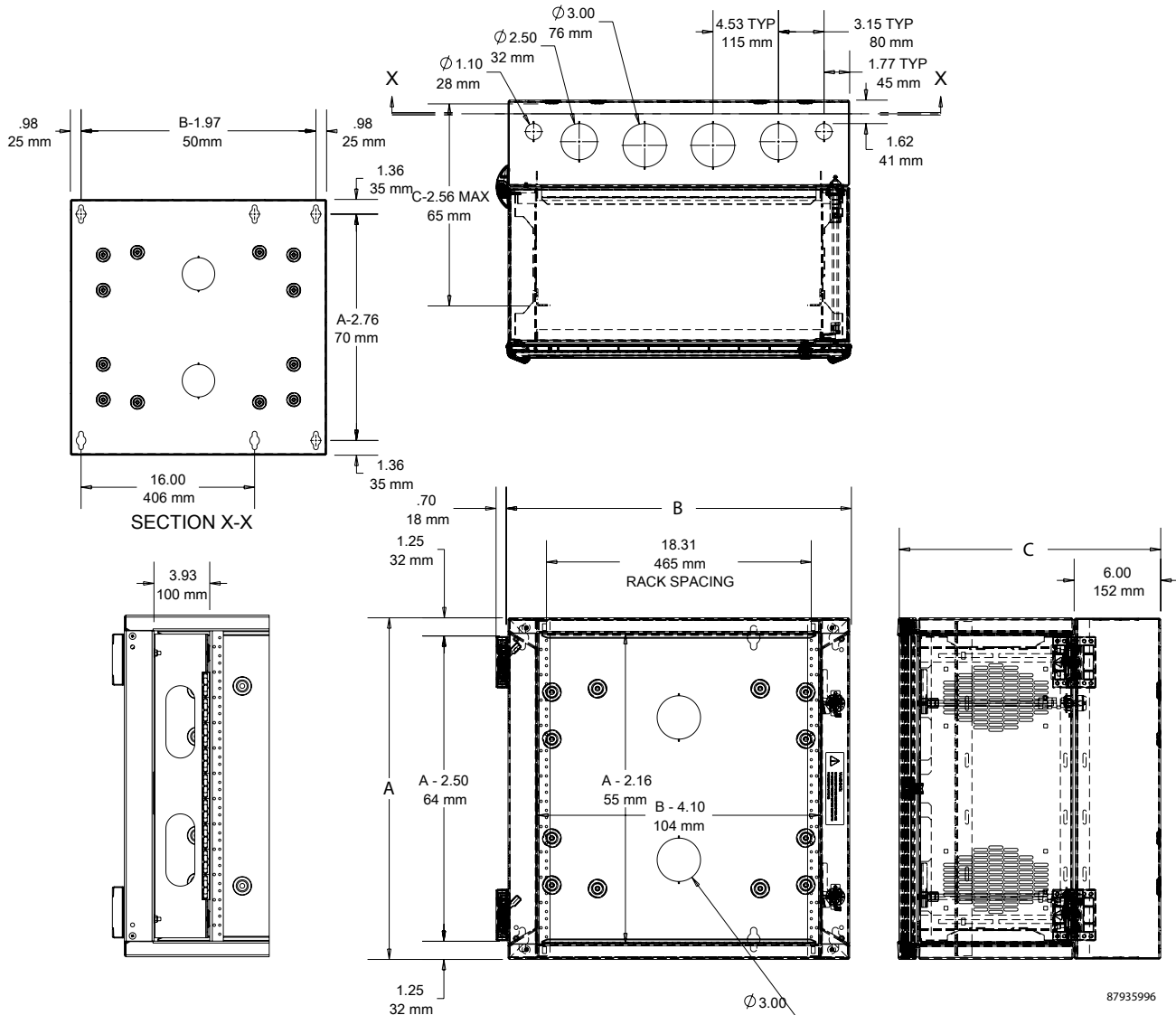
BULLETIN: DWDH1

Standard Product **Window Door**

Catalog Number	AxBxC in.	AxBxC mm	Rack Units	Additional Rack Angles*
EWMW162418	16.75 x 24.41 x 18.20	425 x 620 x 462	8	EWMR16T or EWMR16S
EWMW242418	23.60 x 23.62 x 18.20	600 x 600 x 462	12	EWMR24T or EWMR24S
EWMW362418	36.02 x 23.62 x 18.20	915 x 600 x 462	19	EWMR36T or EWMR36S
EWMW482418	48.03 x 23.62 x 18.20	1220 x 600 x 462	26	EWMR48T or EWMR48S
EWMW602418	60.04 x 23.62 x 18.20	1525 x 600 x 462	32	EWMR60T or EWMR60S
EWMW722418	72.05 x 23.62 x 18.20	1830 x 600 x 462	39	EWMR72T or EWMR72S
EWMW162425	16.75 x 24.41 x 25.10	425 x 620 x 638	8	EWMR16T or EWMR16S
EWMW362425	36.02 x 23.62 x 25.09	915 x 600 x 637	19	EWMR36T or EWMR36S
EWMW242425	23.62 x 23.62 x 25.09	600 x 600 x 637	12	EWMR24T or EWMR24S
EWMW482425	48.03 x 23.62 x 25.09	1220 x 600 x 637	26	EWMR48T or EWMR48S
EWMW602425	60.04 x 23.62 x 25.09	1525 x 600 x 637	32	EWMR60T or EWMR60S
EWMW722425	72.05 x 23.62 x 25.09	1830 x 600 x 637	39	EWMR72T or EWMR72S
EWMW242430	23.62 x 23.62 x 30.01	600 x 600 x 762	12	EWMR24T or EWMR24S
EWMW362430	36.02 x 23.62 x 30.01	915 x 600 x 762	19	EWMR36T or EWMR36S
EWMW482430	48.03 x 23.62 x 30.01	1220 x 600 x 762	26	EWMR48T or EWMR48S
EWMW242436	23.60 x 24.41 x 37.50	599 x 620 x 953	12	EWMR24T or EWMR24S
EWMW362436	36.00 x 24.41 x 37.50	914 x 620 x 953	19	EWMR36T or EWMR36S
EWMW482436	48.00 x 24.41 x 37.50	1219 x 620 x 953	26	EWMR48T or EWMR48S

B dimension does not include wall-to-center section hinge.

*Catalog numbers ending in S are square hole and numbers ending in T are tapped holes.



28 IN. WIDE ENCLOSURE WITH CABLE MANAGER INSTALLED (SHOWN WITH DOOR REMOVED)

2 KNOCKOUTS WHEN A = 24 in.
3 KNOCKOUTS FOR ALL OTHER ENCLOSURES (SHOWN WITH DOOR REMOVED)

87935996

Standard Product **Solid Door**

Catalog Number	AxBxC in.	AxBxC mm	Rack Units	Additional Rack Angles*
EWMS242418	23.62 x 23.62 x 18.20	600 x 600 x 462	12	EWMR24T or EWMR24S
EWMS362418	36.02 x 23.62 x 18.20	915 x 600 x 462	19	EWMR36T or EWMR36S
EWMS482418	48.03 x 23.62 x 18.20	1220 x 600 x 462	26	EWMR48T or EWMR48S
EWMS242425	23.62 x 23.62 x 25.09	600 x 600 x 637	12	EWMR24T or EWMR24S
EWMS362425	36.02 x 23.62 x 25.09	915 x 600 x 637	19	EWMR36T or EWMR36S
EWMS482425	48.03 x 23.62 x 25.09	1220 x 600 x 637	26	EWMR48T or EWMR48S
EWMS242430	23.60 x 24.41 x 30.00	599 x 620 x 762	12	EWMR24T or EWMR24S
EWMS242436	23.60 x 24.41 x 37.50	599 x 620 x 953	12	EWMR24T or EWMR24S
EWMS362430	36.00 x 24.41 x 30.00	914 x 620 x 762	19	EWMR36T or EWMR36S
EWMS362436	36.00 x 24.41 x 37.50	914 x 620 x 953	19	EWMR36T or EWMR36S
EWMS482436	48.00 x 24.41 x 37.50	1219 x 620 x 953	26	EWMR48T or EWMR48S

B dimension does not include wall-to-center section hinge.

*Catalog numbers ending in S are square hole and numbers ending in T are tapped holes.



Standard Product **Window Door with Cable Manager**

Catalog Number	AxBxC in.	AxBxC mm	Rack Units	Additional Rack Angles*	Vertical Cable Mgr. Catalog Number ^a
EWMW242825	23.62 x 27.56 x 25.09	600 x 700 x 637	12	EWMR24T or EWMR24S	EWMC24
EWMW362825	36.02 x 27.56 x 25.09	915 x 700 x 637	19	EWMR36T or EWMR36S	EWMC36
EWMW482825	48.03 x 27.56 x 25.09	1220 x 700 x 637	26	EWMR48T or EWMR48S	EWMC48

B dimension does not include wall-to-center section hinge.

^a For additional rack angles, also order vertical cable manager.

*Catalog numbers ending in S are square hole and numbers ending in T are tapped holes.



Standard Product **Window Door with Gland Plate**

Catalog Number	AxBxC in.	AxBxC mm	Rack Units	Additional Rack Angles*
EWMWG242418	23.62 x 23.62 x 18.20	600 x 600 x 462	12	EWMR24T or EWMR24S
EWMWG362418	36.02 x 23.62 x 18.20	915 x 600 x 462	19	EWMR36T or EWMR36S
EWMWG482418	48.03 x 23.62 x 18.20	1220 x 600 x 462	26	EWMR48T or EWMR48S
EWMWG242425	23.62 x 23.62 x 25.09	600 x 600 x 637	12	EWMR24T or EWMR24S
EWMWG362425	36.02 x 23.62 x 25.09	915 x 600 x 637	19	EWMR36T or EWMR36S
EWMWG482425	48.03 x 23.62 x 25.09	1220 x 600 x 637	26	EWMR48T or EWMR48S
EWMWG242436	23.60 x 24.41 x 37.50	599 x 620 x 953	12	EWMR24T or EWMR24S
EWMWG362436	36.00 x 24.41 x 37.50	914 x 620 x 953	19	EWMR36T or EWMR36S

B dimension does not include wall-to-center section hinge.

*Catalog numbers ending in S are square hole and numbers ending in T are tapped holes.



Standard Product **Window Door with Cable Manager and Gland Plate**

Catalog Number	AxBxC in.	AxBxC mm	Rack	Additional	Vertical
EWMWG242825	23.60 x 28.31 x 25.10	599 x 719 x 638	12	EWMR24T or EWMR24S	EWMC24
EWMWG362825	36.00 x 28.31 x 25.10	914 x 719 x 638	19	EWMR36T or EWMR36S	EWMC36
EWMWG482825	48.00 x 28.31 x 25.10	1219 x 719 x 638	26	EWMR48T or EWMR48S	EWMC48

Load Rating

Height	Load Capacity
16 in.	250 lbs.
24 in.	250 lbs.
36 in.	300 lbs.
48 in.	350 lbs.
60 in.	400 lbs.
72 in.	500 lbs.

Cabinets were tested to 2X the above load capacities without failure. Contact Hoffman if other loading specifications are required.

VERTICAL CABLE MANAGERS FOR 28-IN.-WIDE CABINET



Use AccessPlus Cable Managers when ordering additional rack angles for 28-in.-wide cabinet.

BULLETIN: DWDH1

Catalog Number	Description	Fits Cabinet
EWMC24	AccessPlus Vertical Cable Manager 24.00 in.	A = 24.00; B = 28.00
EWMC36	AccessPlus Vertical Cable Manager 36.00 in.	A = 36.00; B = 28.00
EWMC48	AccessPlus Vertical Cable Manager 48.00 in.	A = 48.00; B = 28.00

Vertical Cable Manager Capacity **Number of cables at 60 percent filled**

Cross Section (Area)	5e (0.22 in. dia.)	6 (0.28 in. dia.)	6A (0.35 in. dia.)
24.5 in. ²	380	300	208

RACK ANGLES



Square- and tapped-hole rack angles fit into AccessPlus cabinets.

BULLETIN: DWDH1

Catalog Number	Description	Rack Units	Fits Cabinet
EWMR16T	Fits 16-in. tapped	8	A = 16.00
EWMR24T	Fits 24-in. tapped	12	A = 24.00
EWMR36T	Fits 36-in. tapped	19	A = 36.00
EWMR48T	Fits 48-in. tapped	26	A = 48.00
EWMR60T	Fits 60-in. tapped	32	A = 60.00
EWMR72T	Fits 72-in. tapped	39	A = 72.00
EWMR16S	Fits 16-in. square	8	A = 16.00
EWMR24S	Fits 24-in. square	12	A = 24.00
EWMR36S	Fits 36-in. square	19	A = 36.00
EWMR48S	Fits 48-in. square	26	A = 48.00
EWMR60S	Fits 60-in. square	32	A = 60.00
EWMR72S	Fits 72-in. square	39	A = 72.00

FAN KITS



Accessory used to provide 100 CFM of air flow in an AccessPlus cabinet that includes a 4-in. fan, blocking plate and finger guard.

BULLETIN: DWDH1

Catalog Number	Description	Fits Cabinet
EWMF1	4-in. fan with plug and blocking plates, 115 VAC, 100 CFM small	Fits all C = 18.00
EWMF2	4-in. fan with plug and blocking plates, 115 VAC, 100 CFM, large	Fits all C = 25.00, 30.00 or 36.00

FAN FILTER AND FINGER GUARD KIT



Low-density filter kit for 4-in. (102-mm) fans. Can also be used as vent. Filter is removable and can be cleaned and reused. Mounting hardware included.

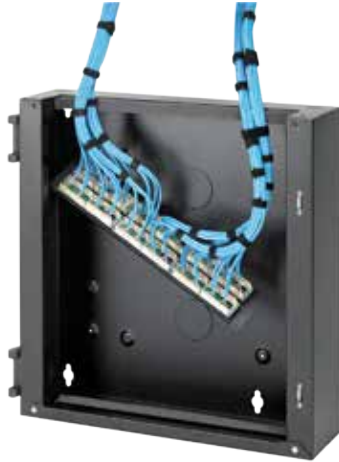
BULLETIN: DWS1

Catalog Number	Description	Fits
AFLTR4LD	Fan Filter and Finger Guard Kit	4-in. fans

DATACOM WALL-MOUNT CABINET WITH GLAND PLATE APPLICATION

This cabinet offers significant advantages in retrofit applications. The gland plate is mounted at the top and the bottom to accommodate cable runs from above, below or both. The gland plate casing can be removed while patch panels and associated wiring are brought to the cabinet.

1. Once the wall section is installed on the wall, lay in the patch panel.



4. Install the center section, then mount patch panels on rack angles.



2. Install the cable gland plate onto the wall section.



5. Close and lock the door.



3. Use wire ties or cable wraps to secure the cable to the cabinet.

