



**POWER
SYSTEMS, INC.**

**Interactive
eCatalog**

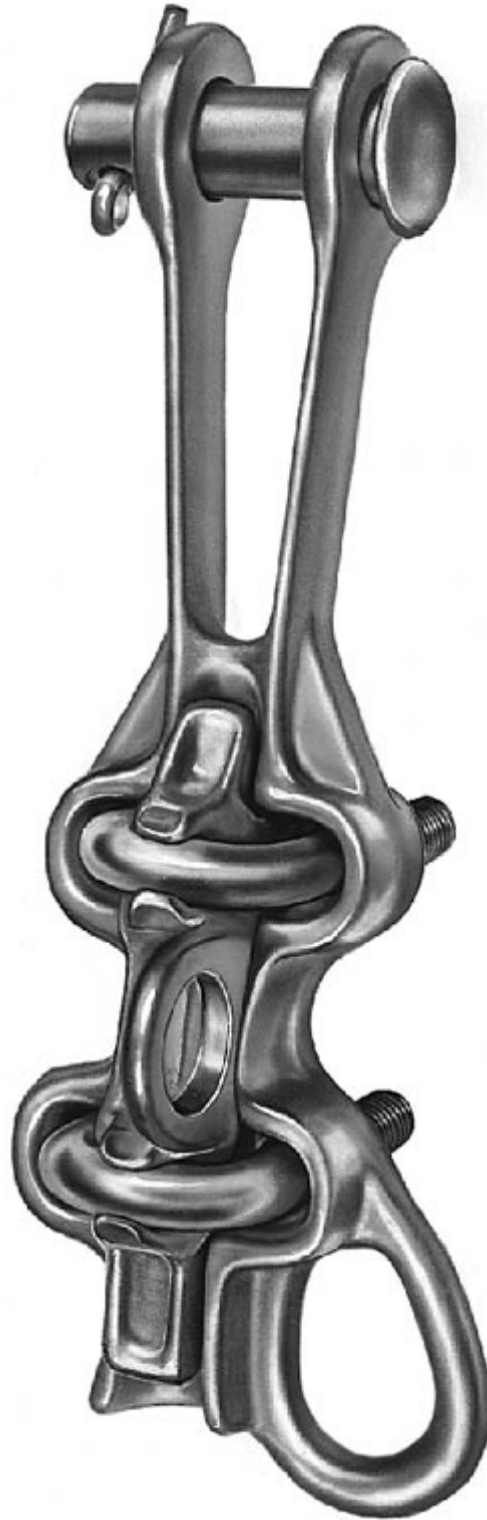
In the world of power transmission and distribution, look to Hubbell.

[Catalog Home](#)

Product Datasheet

ANDERSON FARGO

BDE46C -- Deadend



Deadend

Product Specifications



Bolted Deadends
Aluminum & Bronze
Straight Line
Aluminum & Copper
Conductor



BDE Series
Straight Line Dead End
Bolted, Bronze
Copper & Copperweld®
Conductor

Category Image

Series Image (Bolted)

PDF Catalog Page

[Click HERE to view the web page.](#)

Fitting Type

Clevis

Style

BDE - Deadend, Straight line

Type

Bolted

Material

Bronze

Fitting Catalog No.

CA-04

Ultimate Body Strength

6,000 lb (2,722 kg)

U-Bolts

2

Bolt Size

.38 in (9.53 mm)

Dimension K

.88 in (22.23 mm)

Dimension L

7.25 in (184.15 mm)

Dimension W

.75 in (19.05 mm)

Conductor Range Minimum - Maximum

Cu 6 sol Thru Cu 4/0 sol

Minimum Conductor Diameter

0.16

Maximum Conductor Diameter

0.46

Weight / Ea.

4.7 lbs

Standard Package

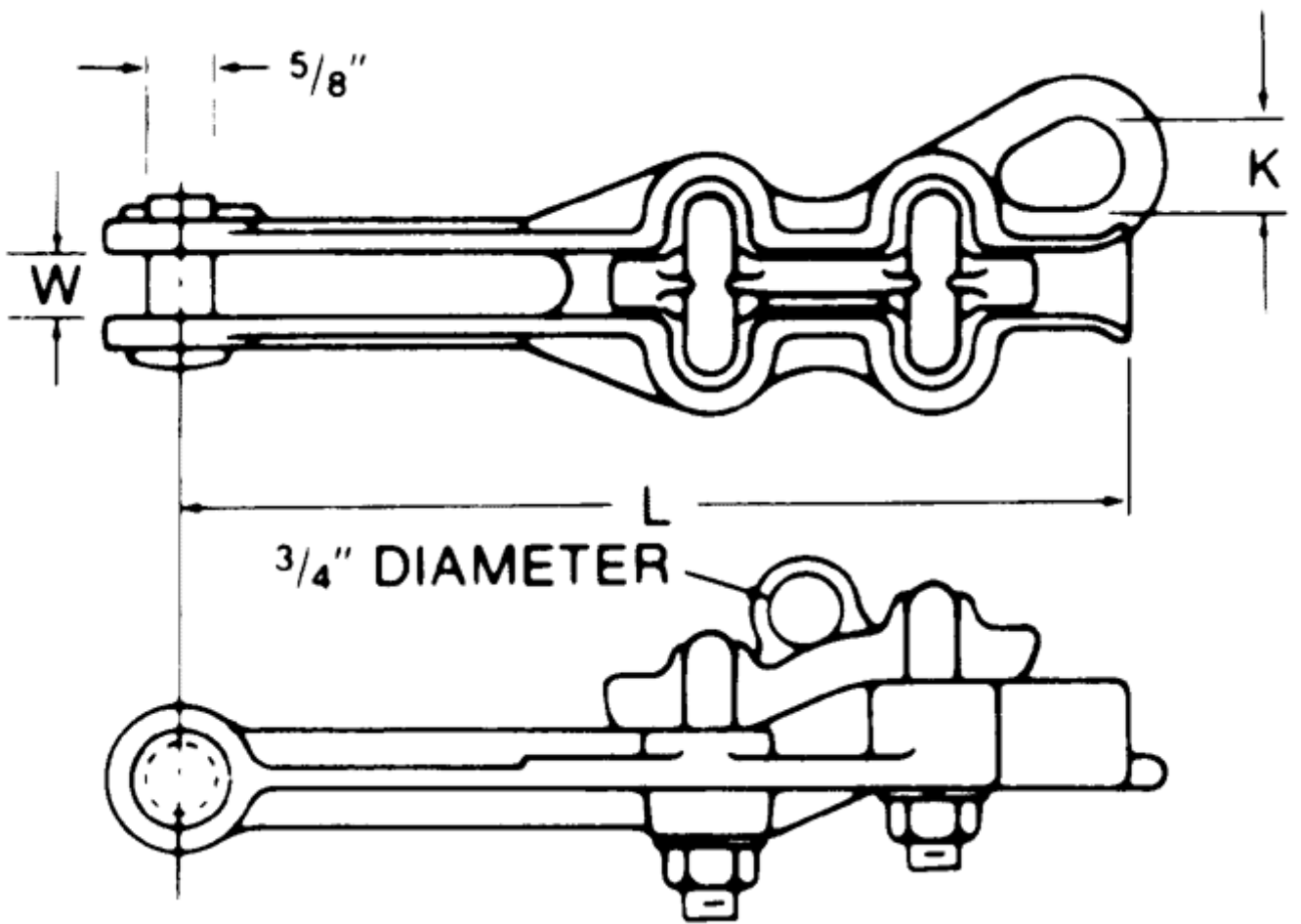
10

UPC Code

09635929156

Compressed Product Number

BDE46C



Dimensions

[Catalog Home](#)



[Warranty Info](#) | [Trademarks](#) | [Terms of Use](#)

All contents Copyright © 2007 Hubbell Power Systems, Inc. All rights reserved.

NOTE: Because Hubbell has a policy of continuous product improvement, we reserve the right to change design and specifications without notice.