

Type 3 Surge Protective Devices

5100 & 5300 Series, 6-Outlet Surge Protective Strips

UL 1449
3rd Edition
Listed



Leviton's 5100 and 5300 Series surge protected power strips offer superior protection for any Commercial, Industrial, or Hospital application. These devices are UL 1449 3rd Edition listed. Our Commercial and Industrial Grade Surge Strips are available in two performance levels to address surge protection needs in a variety of commercial and industrial environments. Industrial Grade Surge Protection Strips feature metal enclosures, and are ideal for harsh environments and heavy-duty applications. The Hospital Version of Surge Protection Strips feature the same durable construction and metal housings found in our Industrial Grade units, with the added security of tamper-resistant, hospital grade receptacles.

Product Features:

- Multi-Line protection (L-N, L-G, N-G)
- 6 surge protected outlets
- LED's indicate power and protection status
- Onboard resettable circuit breaker
- Lifetime Limited Product Warranty
- Lifetime Limited Connected Equipment Protection Policy
- UL 1449 3rd Edition Listed



Specifications

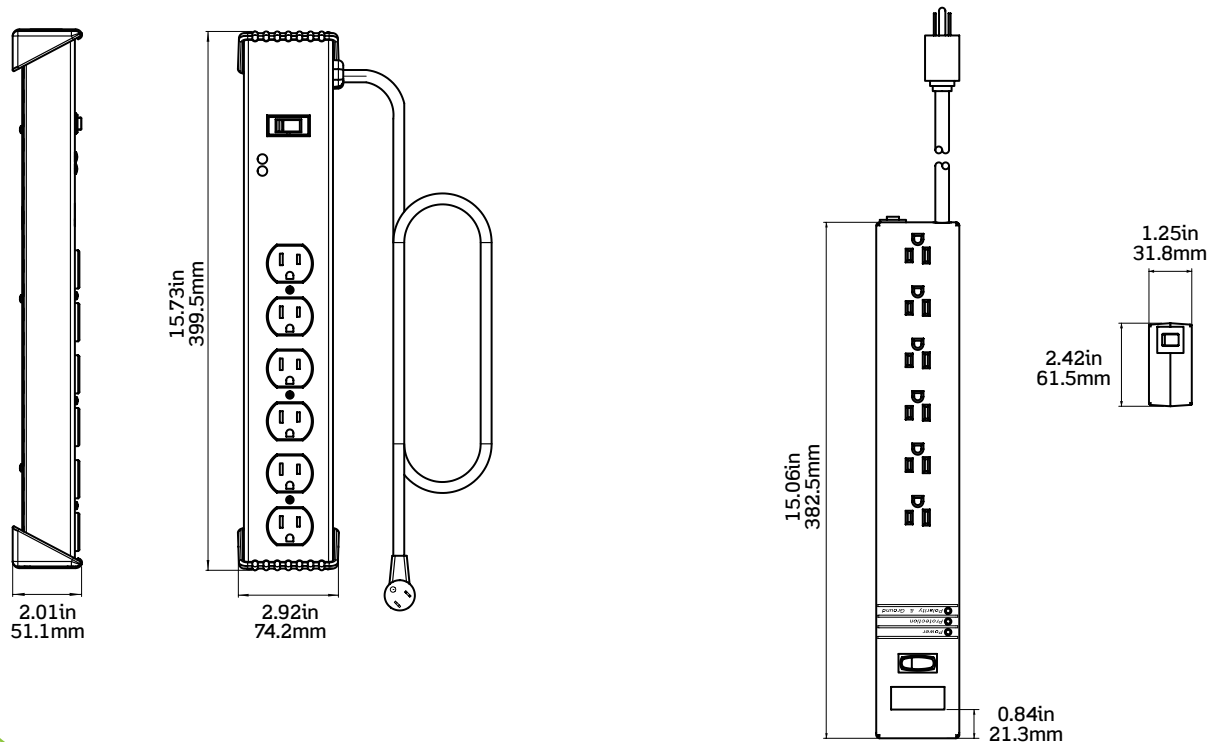
Commercial Series

Catalog Number	5100-PS 5100-S15	5300-PS 5300-S15
Electrical		
Current	15A	
Voltage	125VAC	
Frequency	50/60Hz	
Surge Technology	MOV	
Performance Data		
Maximum Continuous Operating Voltage (MCOV)	150V	130V
Joules	720J	1520J
Maximum Surge Current, Per Mode (L-N)	36kA	96kA
Noise Filtering	-5 to -25dB (@500K-100MHz)	-6 to -40dB (@50K-100MHz)
Voltage Protection Rating (VPR)	L-N	500V
	L-G	600V
	N-G	700V
Material Specifications		
Enclosure	Plastic	
Standards and Certification		
UL 1449 3 rd Ed	cULus Listed	
ANSI/IEEE Category A,B & C	C62.41.1, C62.41.2 & C62.45	
Warranty	Lifetime Limited	

Dimensions

Typical for cat nos: 5100-IPS, 5300-IPS

Typical for cat nos: 5100-PS,
5100-S15, 5300-PS, 5300-S15



Specifications

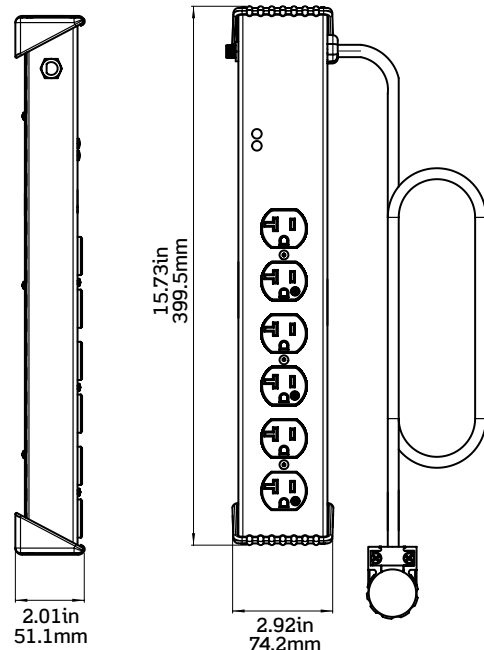
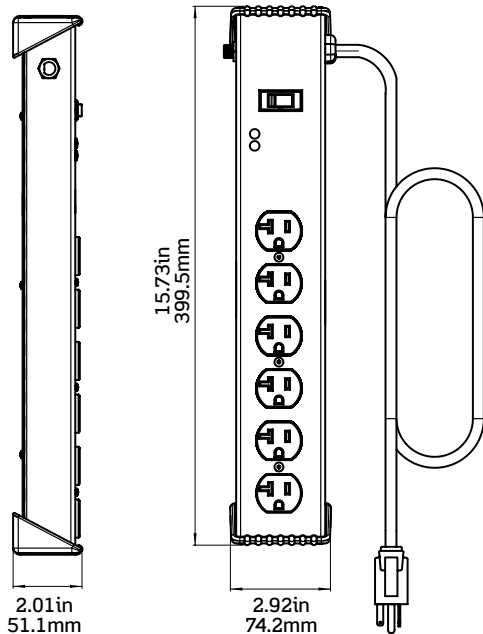
Industrial/ Hospital Series

Catalog Number	5100-IPS	5100-IS2	5300-IPS	5300-H15	5300-HTS	5300-HT2
Electrical						
Current	15A	20A	15A	15A	15A	20A
Voltage	125VAC					
Frequency	50/60Hz					
Surge Technology	MOV					
Performance Data						
Maximum Continuous Operating Voltage (MCOV)	150V	150V	130V	150V	150V	150V
Joules	1330J	900J	1330J	952J	952J	952J
Maximum Surge Current, Per Mode (L-N)	84kA	45kA	84kA	51kA	51kA	51kA
Noise Filtering	-5 to -25dB (@500K-100MHz)	-6 to -40dB (@50K-100MHz)	-6 to -40dB (@50K-100MHz)	-6 to -40dB (@50K-100MHz)	-6 to -40dB (@50K-100MHz)	-6 to -40dB (@50K-100MHz)
Voltage Protection Rating (VPR)	L-N	600V	600V	500V	500V	500V
	L-G	600V	700V	600V	700V	600V
	N-G	600V	700V	600V	700V	600V
Material Specifications						
Enclosure	Metal	Metal	Metal	Metal	Metal	Metal
Standards and Certifications						
UL 1449 3 rd Ed	cULus Listed					
ANSI/IEEE Category A,B & C	C62.41.1, C62.41.2 & C62.45					
Warranty	Lifetime Limited					

Dimensions

Typical for cat nos: 5100-IS2

Typical for cat nos: 5300-HTS,
5300-HT2, 5300-H15



Ordering Information

Type 3 Surge Protective Strip, 6 NEMA 5-15 Outlets, Beige							
Application	Catalog #	Maximum Input Current	Joules	Alarm	Enclosure	On/Off Switch	Cord Length
Commercial	5100-PS	15 Amp	720	—	ABS Plastic	Yes	6 Feet
	5100-S15	15 Amp	720	—	ABS Plastic	Yes	15 Feet
	5300-PS	15 Amp	1520	—	ABS Plastic	Yes	6 Feet
	5300-S15	15 Amp	1520	—	ABS Plastic	Yes	15 Feet
Industrial	5100-IPS	15 Amp	1330	Audible at Protection Loss	Steel	Yes	6 Feet
	5100-IS2	20 Amp	900	Audible at Protection Loss	Steel	Yes	6 Feet
	5300-IPS	15 Amp	1330	Audible at Protection Loss	Steel	Yes	6 Feet
Hospital	5300-H15	15 Amp	952	—	Steel	No	15 Feet
	5300-HTS	15 Amp	952	—	Steel	No	6 Feet
	5300-HT2	20 Amp	952	—	Steel	No	6 Feet

Commercial



Industrial



Hospital



Leviton Manufacturing Co., Inc.

201 North Service Road, Melville, NY 11747
 Telephone: 1-800-323-8920 • FAX: 1-800-832-9538
 Tech Line (8:30AM-7:00PM E.S.T. Monday-Friday): 1-800-824-3005

Leviton Manufacturing of Canada, Ltd.

165 Hymus Blvd, Pointe-Claire, QC H9R 1E9
 Telephone: 1-800-469-7890 • FAX: 1-800-563-1853

Leviton S. de R.L. de C.V.

Lago Tana 43, Col. Huichapan, Miguel Hidalgo, CP 11290 México DF
 Telephone: (+52) 55-5082-1040 • FAX: (+52) 55-5386-1797 • www.leviton.com.mx

Leviton Middle East, Ltd.

J/Ali Free Zone, View 19 7th Floor, Office 701 • PO Box 262742 Dubai, UAE
 Telephone: +971 4 886 4722 • FAX: +971 4 886 4723

Visit our Website at: www.leviton.com/industrial email: industrial@leviton.com

