



[Catalog Home](#)

**Product Datasheet**


**ANDERSON FARGO**

**JTS08 -- Compression Terminal**



Compression Terminal, Uni-Grip, Jumper Terminal, Straight, Conductor Range, Range 0.681-0.765

**Product Specifications**

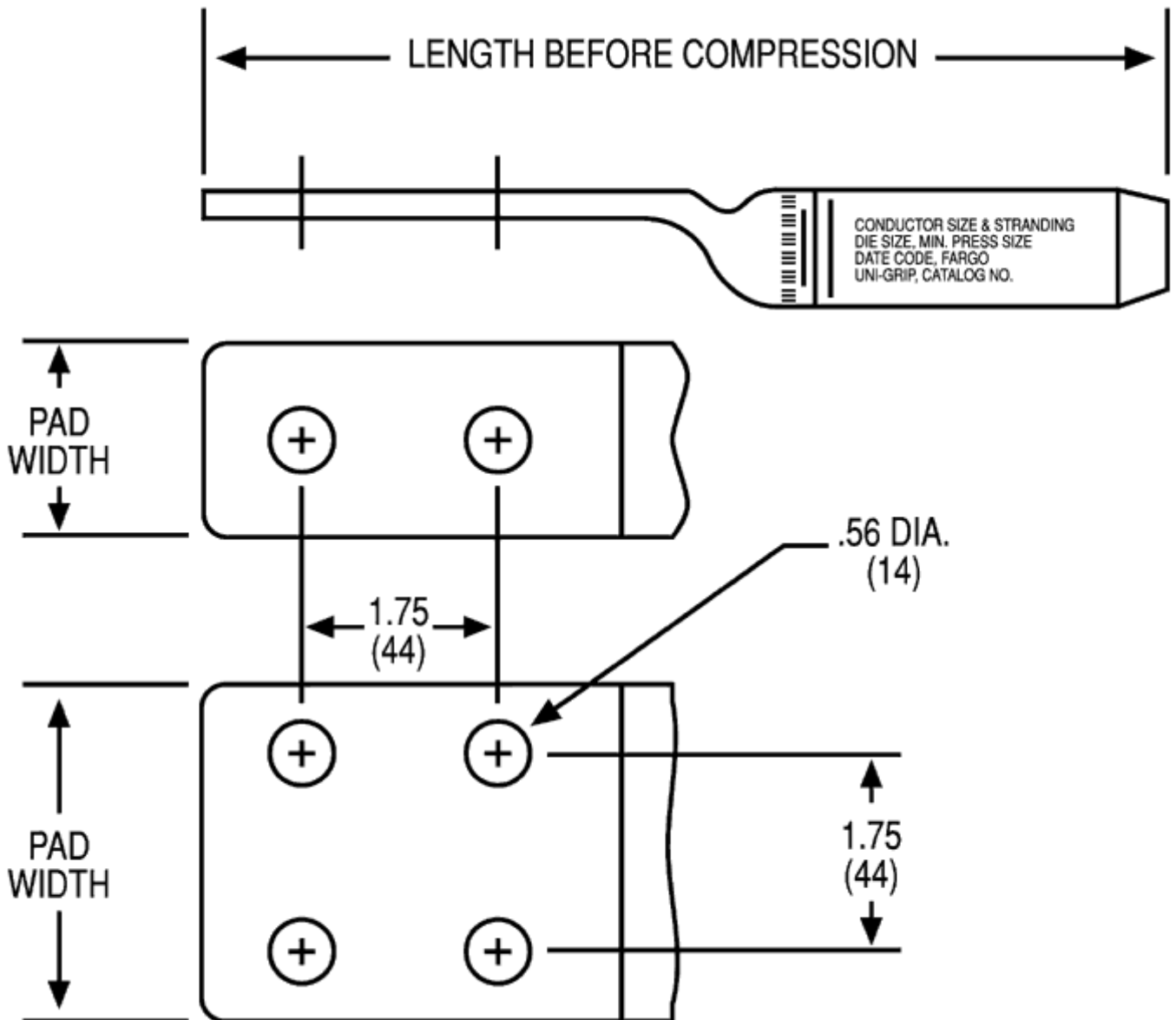
<p><b>Series</b></p>	 <p><b>JTS Series</b></p> <p>Compression Terminal Straight, Partial Tension AAC, AAAC, ACAR &amp; ACSR Conductor</p>
<p><b>PDF Catalog Page</b></p>	<p><a href="#">Click HERE to view the web page.</a></p>
<p><b>Conductor Range (in)</b></p>	<p>0.681-0.765</p>
<p><b>Length before Compression</b></p>	<p>9.8 in (249 mm)</p>
<p><b>Pad Width</b></p>	<p>1.7 in (44 mm)</p>
<p><b>Pad Holes</b></p>	<p>2</p>
<p><b>Compression Method</b></p>	<p>Uni-Grip (single die)</p>
<p><b>Material &amp; Connection Method</b></p>	<p>Aluminum Compression</p>
<p><b>Die Size</b></p>	<p>08CD</p>
<p><b>Minimum Press (Tons)</b></p>	<p>12</p>
<p><b>Voltage Application</b></p>	<p>Std</p>
<p><b>Inhibitor Loaded</b></p>	<p>Yes</p>
<p><b>Conductor Minimum - Maximum Range</b></p>	<p>AAC 350 kcmil (37) thru AAC 400 kcmil (19) ACSR 336.4 kcmil (18/1) thru ACSR 397.5 kcmil (18/1)</p>
<p><b>Material Type</b></p>	<p>Non-Standard</p>

UPC Code	09635938413
Standard Package	1
Standard Package Unit	Each
MOQ	1
Weight / Ea.	0.627 lbs

**Notes**  
 To specify stainless steel hardware add "SS" suffix to catalog number.

**Features**  
 Jumper terminals are prefilled with inhibitor. Taper and pad are coated with protective strippable plastic and bore is capped. Tongue holes have NEMA spacing. Standard hardware includes one Aluminum 1/2-13 bolt, nut and two aluminum washers per .56 diameter hole.

**Compressed Product Number**  
 JTS08





[Warranty Info](#) | [Trademarks](#) | [Terms of Use](#)

*All contents Copyright © 2007 Hubbell Power Systems, Inc. All rights reserved.*

NOTE: Because Hubbell has a policy of continuous product improvement, we reserve the right to change design and specifications without notice.