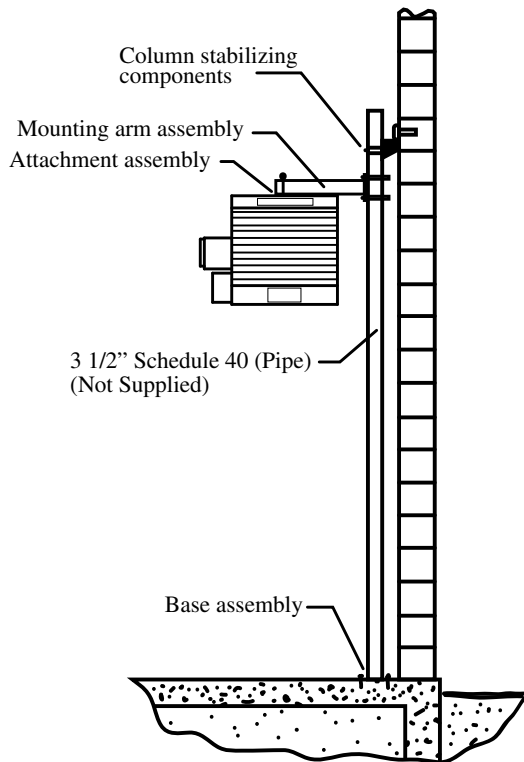
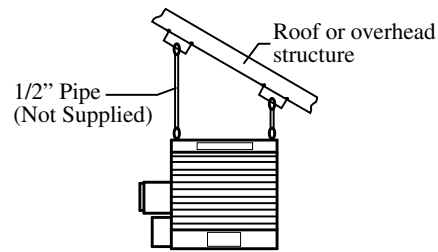


## Mounting Bracket Kits



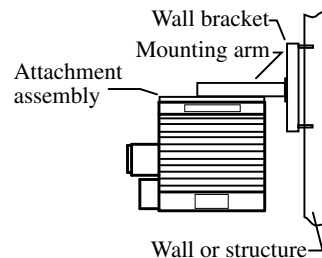
### HLPMPipe Mounting Kit

Particularly useful in buildings with insufficient strength to use other types of mounts. Requires 3 1/2" pipe (4" O.D. - not supplied).



### HLHM Hanging Mounting Kit

Simple and economical if adequate overhead structure exists. Requires 1/2" pipe, cut and threaded (not supplied).



### HLWM Wall Mounting Kit

Ideal for use in buildings that have substantial walls. Arm only can also be bolted directly to structural steel.

UPC# 686334	MODEL	USE WITH HEATERS	WT. (LBS.)	LIST
734288	HLPMP37	3.0 kW - 7.5 kW	37	479
734295	HLPMP10	10.0 kW	38	
734301	HLPMP1525	15.0 kW - 25.0 kW	40	
734318	HLHM	ALL	5	191
734325	HLWMP37	3.0 kW - 7.5 kW	27	399
734332	HLWMP10	10.0 kW	28	
734349	HLWMP1525	15.0 kW - 25.0 kW	29	

## EPET Series and HLT Series Hazardous Location Thermostats For Single Phase



HLT Series



Motor Rating (full load): 3/4 HP @ 125V, 1 1/2 HP @250V  
 Pilot Duty Rating 125VA @ 24VAC  
 NEMA Class Seven Div. 1 Approved  
 Class I Group C & D, Class II Group E, F, & G  
 Not rated for Group B



### Features

- SPDT & DPDT Models
- Heat or cool compatible
- Celsius and Fahrenheit temperature scale
- Bi-Metal or capillary sensor
- Snap action switch
- Casting tapped top and bottom for 3/4" conduit
- 1/2" thick cast aluminum housing
- Dimension 5.75" x 6.375" x 5.57"

UPC# 686334	MODEL	DESCRIPTION	LOAD RATINGS	RANGE	LIST
538077	EPETD8D	DPDT - Bi-Metal	22A @120-277VAC	50-90°F	476
538107	EPETD8S	SPDT - Bi-Metal	22A @120-277VAC	50-90°F	451
528078	EPETP8D	DPDT - Bi-Metal	22A @120-480VAC	50-90°F	490
528061	EPETP8S	SPDT - Bi-Metal	22A @120-480VAC	50-90°F	464
523158	HLT-1	SPDT - Capillary	22A @120-277VAC	40-110°F	500
523165	HLT-2	DPDT - Capillary	22A @120-277VAC	40-110°F	527
Master ctn: 4 pcs, 24 lbs (varies slightly by model), 16" x 14.5" x 6"					
EPET Series incorporate plastic knob & Bi-Metal Sensor housing.					
HLT Series incorporates screwdriver temperature adjustment slot and all metal housing. External bulb and capillary sensor.					

# FEP Series Three Phase Hazardous Location Wall Convectector

- Cabinet size 18" high, 9" wide.
- Bottom In - Top Out air flow.
- Wall mounting bracket supplied.
- Units can not be operated in room ambients exceeding 104°F (40°C).
- Heavy duty 16 Gauge steel with gray epoxy textured powder coated finish.
- 9" minimum clearance from bottom of heater to floor required.
- Stainless steel cartridge element inserted into Aluminum finned Copper sheath.
- Standard unit (without EPET thermostat or control section) is NEMA 4 rated.
- ABS (American Bureau of Shipping) type approved.

T-2A SERIES THREE PHASE Class 1, Group B, C, & D Divisions 1 & 2 280° C / 536° F								
UPC 686334	MODEL	WATTS	BTU's	VOLTS	AMPS	CABINET LENGTH	WT. (LBS.)	LIST
483056	FEP-1820-3RA	1800	6143	208	5.0	34"	50	1719
483063	FEP-1824-3RA			240	4.3			1869
486224	FEP-1848-3RA	3600	12286	480	2.2	34"	54	2622
483070	FEP-3620-3RA			208	10.0			2726
483087	FEP-3624-3RA	3800	12969	240	8.7	58"	80	2784
486231	FEP-3648-3RA			480	4.3			2999
483094	FEP-3820-3RA	7600	25938	208	10.5	58"	85	3223
483100	FEP-3824-3RA			240	9.1			
486248	FEP3848-3RA			480	4.6			
483117	FEP-7620-3RA			208	21.1			
483124	FEP-7624-3RA			240	18.3			
486255	FEP-7648-3RA			480	9.2			

T-3A SERIES THREE PHASE Class 1, Group B, C & D Division 1 & 2 180° C / 356° F								
UPC 686334	MODEL	WATTS	BTU's	VOLTS	AMPS	CABINET LENGTH	WT. (LBS.)	LIST
483131	FEP-0820-3RA	800	2730	208	2.2	34"	50	1719
483148	FEP-0824-3RA			240	1.9			1869
486262	FEP-0848-3RA	1600	5460	480	0.9	34"	54	2622
483155	FEP-1620-3RA			208	4.4			2726
483162	FEP-1624-3RA	1700	5802	240	3.8	58"	80	2784
486279	FEP-1648-3RA			480	1.9			2999
483179	FEP-1720-3RA	3400	11604	208	4.7	58"	85	3192
483186	FEP-1724-3RA			240	4.1			
486286	FEP-1748-3RA			480	2.0			
483193	FEP-3420-3RA			208	9.4			
483209	FEP-3424-3RA			240	8.2			
486293	FEP-3448-3RA			480	4.1			

\*T1 and T2 option not available on 3 phase models



Standard Unit



Unit with optional control section containing disconnect, pilot light, and thermostat (Suffix C1-TDP)

## Factory Installed Control Options

SUFFIX**	DESCRIPTION	LIST
C1-TD	Control section with transformer, 24V contactor, SP thermostat (40°F - 90°F) and disconnect switch (all units)	1971
C1-TDP	Control section with transformer, 24V contactor, SP thermostat (40°F - 90°F), disconnect switch & pilot light (all units)	2047

Note: C1-TD and C1-TDP are only options available for 3 phase units.

\*\*Remove - RA suffix and add new suffix (Not NEMA washdown rated or rated for Group B atmospheres)

## Remote Mounted Hazardous Location Thermostats For Single Phase Models Only



HLT Series



UPC# 686334	MODEL	DESCRIPTION	LOAD RATINGS	RANGE	LIST
538077	EPETD8D	DPDT - Bi-Metal	22A @120-277VAC	50-90°F	453
538107	EPETD8S	SPDT - Bi-Metal	22A @120-277VAC	50-90°F	429
528078	EPETP8D	DPDT - Bi-Metal	22A @120-480VAC	50-90°F	467
528061	EPETP8S	SPDT - Bi-Metal	22A @120-480VAC	50-90°F	442
523158	HLT-1	SPDT - Capillary	22A @120-277VAC	40-110°F	476
523165	HLT-2	DPDT - Capillary	22A @120-277VAC	40-110°F	502
Master ctn: 4 pcs, 24 lbs (varies slightly by model), 16" x 14.5" x 6"					
EPET Series incorporates plastic knob & Bi-Metal Sensor housing.					
HLT Series incorporates screwdriver temperature adjustment slot and all metal housing. External bulb and capillary sensor.					

## EPET Series Parameters

Dimensions: Height 5 5/8", Width 6 3/8", Depth 4 1/2"  
 Finish: Silver-Gray  
 Type: Single or Double Pole

Note: Products listed in this section are custom built and subject to 100% cancellation/restock charges.

Motor Rating: (full load) 1 1/2 HP @ 250V  
 Rating: 22A @ 125-277VAC; 125VA @ 24VAC  
 Rated: Class I Group C & D, Class II Group E, F, G  
 Thermostat is not rated for use in Group B environments.

## ET Series - Line Voltage



### Features

- Single pole and double pole
- Heat only, cool only, & heat or cool
- DP models include positive off
- Celsius and Fahrenheit temperature scale
- Optional Thermometer
- 22 Amps, 277 Volts AC

UPC #	MODEL	DESCRIPTION	LIST
686334			
538725	AET5DWS	Double Pole 22 Amp, 120-277V with leads, Anticipator	41.65
538732	AET5SWS	Single Pole 22 Amp, 120-277V with leads, Anticipator	37.40
538886	ET5DS	Double Pole 22 Amp, 120-277V, Heat Only	32.90
538749	ET5D4S	Double Pole 22 Amp, 120-277V, 35-75°F Temp Range	33.60
538756	ET5DTS	Double Pole 22 Amp, 120-277V, with Thermometer, Heat Only	34.30
538763	ET5DWS	Double Pole 22 Amp, 120-277V, Heat Only with Leads	33.60
538770	ET5MS	Heat Only, 2 Stage	35.70
538787	ET5SS	Single Pole 22 Amp, 120-277V, Heat Only	27.30
538794	ET5S4S	Single Pole 22 Amp, 120-277V, 35-75°F Temp Range	30.80
538800	ET5SRS	Single Pole 22 Amp, Cooling Only	27.30
538893	ET5SRTS	Single Pole Cool with Thermometer	30.80
538817	ET5STS	Single Pole 22 Amp, Heat Only with Thermometer	30.80
538824	ET5SWS	Single Pole 22 Amp, Heat Only with Leads	32.20
538831	ETD5MS	Double Throw, 2 Stage Heat, 1 Stage Cool	35.70
538848	ETD5MTS	2 Heat, 1 Cool with Thermometer	37.10
538855	ETD5SS	Single Pole Double Throw Heat/Cool	30.80
538862	ETD5STS	Single Pole Double Throw Heat/Cool with Thermometer	32.20

## EPET Series and HLT Series Hazardous Location



Motor Rating (full load): 3/4 HP @ 125V, 1-1/2 HP @ 250V  
 Pilot Duty Rating 125VA @ 24VAC  
 NEMA Class Seven Div. 1 Approved  
 Class I Group C & D, Class II Group E, F, & G  
 Not rated for Group B

### Features

- SPDT & DPDT Models
- Heat or cool compatible
- Celsius and Fahrenheit temperature scale
- Bi-Metal or capillary sensor
- Snap action switch
- Casting tapered top and bottom for 3/4" conduit
- 1/2" thick cast Aluminum housing
- Dimension 5-3/4" x 6-3/8" x 5.57"

UPC#	MODEL	DESCRIPTION	LOAD RATINGS	RANGE	LIST
686334					
538077	EPETD8D	DPDT - Bi-Metal	22A @120-277VAC	50-90°F	453
538107	EPETD8S	SPDT - Bi-Metal	22A @120-277VAC	50-90°F	429
528078	EPETP8D	DPDT - Bi-Metal	22A @120-480VAC	50-90°F	467
528061	EPETP8S	SPDT - Bi-Metal	22A @120-480VAC	50-90°F	442
523158	HLT-1	SPDT - Capillary	22A @120-277VAC	40-110°F	476
523165	HLT-2	DPDT - Capillary	22A @120-277VAC	40-110°F	502
Master ctn: 4 pcs, 24 lbs (varies slightly by model), 16" x 14.5" x 6"					
EPET Series incorporate plastic knob & Bi-Metal Sensor housing.					
HLT Series incorporates screwdriver temperature adjustment slot and all metal housing. External bulb and capillary sensor.					

## 2000 Series - Line Voltage



### Features

- White or Ivory
- Single pole and double pole
- Heat Only
- DP models include positive off
- 22 Amps, 277 Volts AC

UPC#	MODEL	COLOR	DESCRIPTION	LIST
686334				
502849	S2022H10AA	White	Single Pole with leads, 22 Amp	34
502436	S2022H10AB	Ivory		
502856	D2022H10BA	White	Double pole with leads, 22 Amp	45
502443	D2022H10BB	Ivory		
502917	S2025H10AA	White	Single Pole with leads, 25 Amp	51
502924	D2025H10DA	White	Double pole with leads, 25 Amp	60