

Hubs and Bulkhead Fittings

Raintight for Rigid or Intermediate Metal Conduit (IMC)

Chase® Threaded Conduit Hubs

Applications

- A fitting for connecting junction box to junction box, or junction box to the conduit system. The resulting connection maintaining ground continuity is raintight.
- Suitable for use where the system is normally hosed down (NEMA 4) for cleaning.

Features

- Plastic insulated throat, precision cast and machined surfaces permit safer wire pulling.
- Chase® design provides maximum space for wiring in the box. Locking nipple sits flush in the enclosure.
- Captive O-ring fits snugly in groove preventing loss and fumbling with parts.
- Knurled inner face of locking nipple provides 360 degrees of locking and bites through box wall to ensure grounding.
- Locking nipple has tightening lugs on two planes for easier assembly in hard to reach field conditions.
- Grounding hubs have a ground screw located within the enclosure providing a tamper-proof ground for device.
- Locking nipple design permits replacement of the box without disassembling the installation.

Standard Materials

HTZ Series: Certified die cast zinc alloy
ZAMAK 3

HT Series: Die cast aluminum alloy A360
with less than .004 copper content
(copper-free)

O-ring: Buna N

Insulating Sleeves: Plastic

Standard Finish

Aluminum lacquer finish

Listings/Compliances

UL Listed

CSA Certified

Suitable for use in Wet Locations

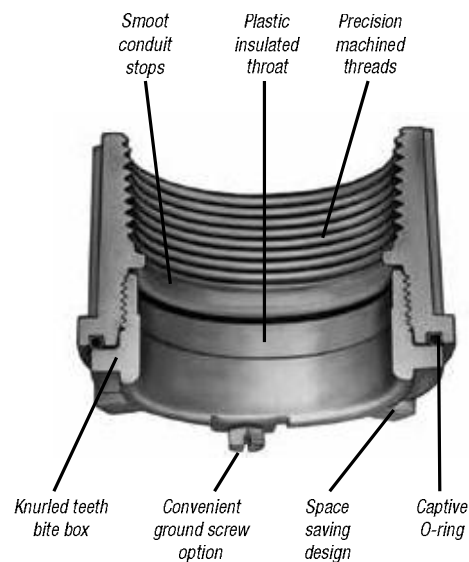
NEMA 4



HT, HTZ



HTGZ



Hubs and Bulkhead Fittings

CHASE® Hub with Insulated Throat



HTZ

CHASE® Hub with Insulated Throat and Ground Screw

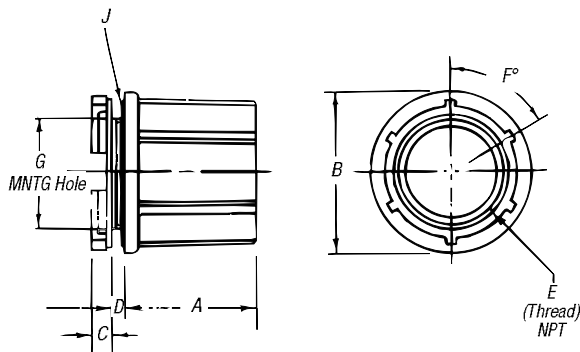


HTGZ

CHASE® Aluminum Hub with Insulated Throat



HT



CAT. NO.	HUB SIZE	STD. PKG.	WT. LBS. APP. PER 100
HTZ1	½"	25	26
HTZ2	¾"	25	32
HTZ3	1"	25	45
HTZ4	1¼"	10	58
HTZ5	1½"	10	74
HTZ6	2"	10	93
HTZ7	2½"	5	202
HTZ8	3"	2	250
HTZ9*	3½"	2	300
HTZ10*	4"	2	360

*Made to order item. Consult factory for lead time and minimum quantities.

CAT. NO.	HUB SIZE	STD. PKG.	WT. LBS. APP. PER 100
HTGZ1	½"	25	22
HTGZ2	¾"	25	34
HTGZ3	1"	25	44
HTGZ4	1¼"	10	61
HTGZ5	1½"	10	75
HTGZ6	2"	10	95
HTGZ7	2½"	5	204
HTGZ8	3"	2	265
HTGZ9	3½"	2	270
HTGZ10	4"	2	360

CAT. NO.	HUB SIZE	STD. PKG.	WT. LBS. APP. PER 100
HT1	½"	25	12
HT2	¾"	25	14
HT3	1"	25	20
HT4	1¼"	10	27
HT5	1½"	10	32
HT6	2"	10	44
HT7	2½"	5	85
HT8	3"	2	120
HT9	3½"	2	138
HT10	4"	2	155

HTZ, HTGZ and HT Dimensions

HUB SIZE	PANEL WIDTH					F	MIN. G	MAX. H	O-RING SIZE	
	A	B	C	D	E				J	J
½"	1⅜	1⅜	¼	⅜	½-14	60	2⅜	5⁄64	214	
¾"	1⅜	1⅜	¼	⅜	¾-14	60	1⅜	1⅜	218	
1"	1⅜	1⅜	¼	⅜	1-11½	60	1⅜	1⅜	222	
1¼"	1⅜	2⅜	¼	¼	1¼-11½	60	1⅜	1⅜	225	
1½"	1⅜	2⅜	¼	¼	1½-11½	60	1⅜	2⅜	227	
2"	1⅜	3⅜	¼	¼	2-11½	60	2⅜	2⅜	231	
2½"	2¼	2⅜	⅜	¼	2½-8	45	2⅜	3⅜	236	
3"	2⅜	4⅜	⅜	¼	3-8	45	3⅜	3⅜	241	
3½"	2⅜	4⅜	⅜	¼	3½-8	45	4	4⅜	245	
4"	2⅜	5⅜	⅜	¼	4-8	45	4½	4⅜	248	