



Color:  Red

UPC Code: 06867911757

NEMA:
5-15R



5261-R

Brand Features

Leviton's line of Heavy-Duty Industrial Grade Receptacles are available with a number of wiring options and features. These heavy-duty receptacles are engineered for fine appearance and top performance in demanding commercial and institutional applications using a durable, thermoplastic face and impact-resistant construction.

Item Description

Single Receptacle Outlet, Heavy-Duty Industrial Specification Grade, Smooth Face, 15 Amp, 125 Volt, Back or Side Wire, NEMA 5-15R, 2-Pole, 3-Wire, Self-Grounding - Red

Technical Information

AC Horsepower Ratings

At Rated Voltage: 1/2 HP

Electrical Specifications

Grounding: Self-Grounding

Amperage: 15 A

Voltage: 125 VAC

Pole: 2

Wire: 3

Dielectric Voltage: Withstands 2000V per UL498

Current Limiting: Full Rated Current

Temperature Rise: Max 30C after 250 cycles OL at 200 percent rated current

Environmental Specifications

Flammability: Rated V-2 per UL 94

Operating Temperature: -40°C to 60°C

Material Specifications

Face Material: Nylon

Body Material: Nylon

Line Contacts: Brass Triple-Wipe

Terminal Screws: Plated Brass

Grounding Screw: Plated Steel

Strap Material: Zinc-Plated Steel

Clamp Nuts: Galvanized Steel

Ground Clips: Brass

Color: Red

Mechanical Specifications

Terminal ID: Brass-Hot, Green-Ground, Silver-Neutral

Terminal Accom.: 14-10 AWG

Product ID: Ratings are permanently marked on device

Torque Range: 14-16 inch pounds

Termination: Back or Side Wire

Product Features

NEMA: 5-15R

Color: Red

Device Type: Single Receptacle Outlet

Feature 4: Smooth Face

Grade: Heavy-Duty Industrial Specification Grade

Standards and Certifications

NEMA: WD-6

ANSI: C-73

UL498: File E13399

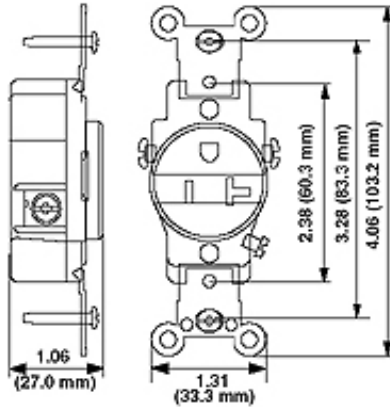
UL Fed Spec WC-596: File E13399

CSA C22.2 No. 42: File 152105

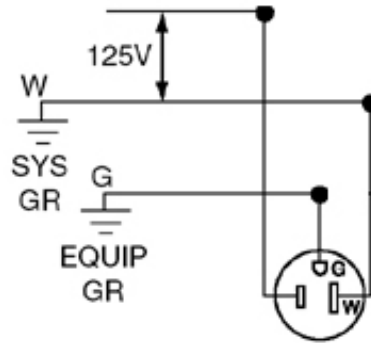
NOM: 057

Warranty: 10 Year Limited

Dimensional Diagram



Wiring Diagram



5-15R

SPECIFICATION SUBMITTAL

JOB NAME: <input style="width: 95%;" type="text"/>	CATALOG NUMBERS: <input style="width: 95%;" type="text"/>
JOB NUMBER: <input style="width: 95%;" type="text"/>	<input style="width: 95%;" type="text"/>

Leviton Manufacturing Co., Inc.

201 North Service Road, Melville, NY 11747

Teléfono: +1-800-323-8920 · FAX: +1-800-832-9538 · Tech Line (8:30AM-7:30PM E.S.T. Monday-Friday): +1-800-824-3005

Leviton Manufacturing of Canada, Ltd.

165 Hymus Boulevard, Pointe Claire, Quebec H9R 1E9 · Telephone: +1-800-469-7890 ·

FAX: +1-800-824-3005 · www.leviton.com/canada

Leviton S. de R.L. de C.V.

Lago Tana 43, Mexico DF, Mexico CP 11290 · Tel.: (+52)55-5082-1040 · FAX: (+52)5386-

1797 · www.leviton.com.mx

Visit our Website at: www.leviton.com

© 2018 Leviton Manufacturing Co., Inc. Todos los derechos reservados. Subject to change without notice.

Leviton has a global presence.

If you would like to know where your local Leviton office is located please go to:

www.leviton.com/international/contacts/

