

DESCRIPTION

The SNF Series is a functional and multi-purpose narrow strip family that incorporates premium performance and construction durability. Designed with our easy-to-use Flip-Up socket design, the SNF significantly reduces installation time. The performance and application versatility of this series can be increased by incorporating symmetrical or asymmetrical reflectors. The SNF Series can be installed using various mounting methods and numerous options and accessories are available.

Catalog #		Type
Project		
Comments		Date
Prepared by		

SPECIFICATION FEATURES

Construction

Channel is die formed cold rolled steel with numerous KOs for ease of installation. Groove for Tong Hanger. End plate quickly converts to snap-in channel connector for continuous row alignment. Lamp holder bracket flips in place. Channel/wireway cover secured with quarter-turn fasteners.

Channel/Wireway Cover

Die formed heavy gauge steel. Tight fit for ease of maintenance. Easily removed without use of tools. Optional reflector available incorporating silver technology enhancements (Silver Lining). Consult Pre Sales Technical Support.

Electrical*

Ballasts are CBM/ETL Class "P" and are positively secured by mounting bolts. Rotor Lock lampholders. UL/CUL listed. Suitable for damp locations.

Finish

Multistage iron phosphate pretreatment ensures maximum bonding and rust inhibitor. Lighting upgrade, baked white enamel finish. Prepainted material is standard, PAF optional.

Application

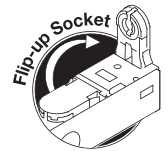
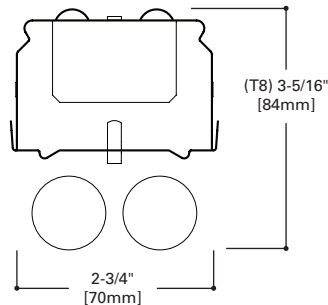
The small size of the SNF makes it an ideal choice for size-restricted architectural applications. The SNF Series can be the illumination solution in commercial, industrial, retail and residential applications. Fixtures can be used in storage/utility areas, coves, display cases, shops, task and general area lighting.



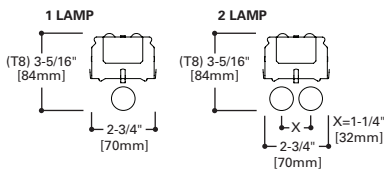
SNF
117, 125
128T8, 132
217, 225
228T8, 232

2', 3' OR 4' STRIP
1 OR 2 T8 LAMPS

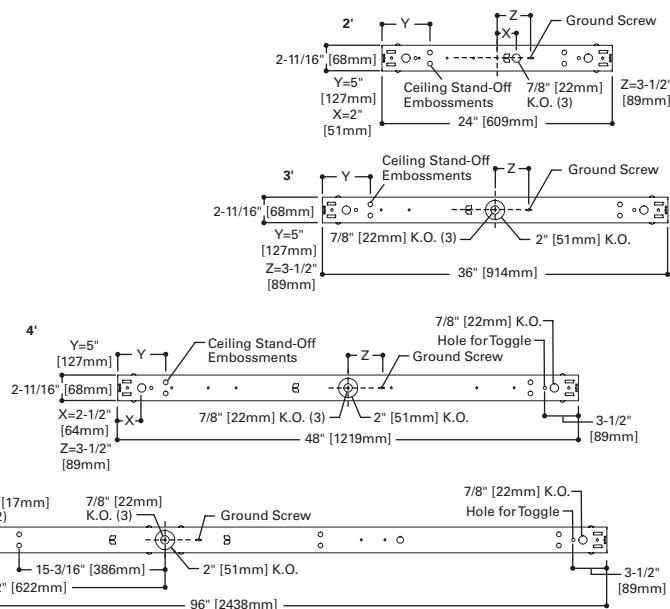
Narrow Striplite



LAMP CONFIGURATIONS



MOUNTING DATA



ENERGY DATA

Input Watts:

EB Ballasts Normal Ballast Factor

117 (20), 217 (34), 125 (23),
128T8 (28), 132 (31), 225 (53),
228T8 (49), 232 (58)

HB Ballasts Normal Ballast Factor

117 (18), 217 (31), 128T8 (25),
228T8 (48), 132 (28), 232 (53),

EB Ballasts Low Ballast Factor

125 (21), 128T8 (22), 132 (25),
225 (40), 228T8 (44), 232 (48)

Luminaire Efficacy Rating

LER = FS-85

Catalog Number: SNF-132

Yearly Cost of 1000 lumens,
3000 hrs at .08 KWH = \$2.82

*Reference the lamp/ballast data in the Technical Section for specific lamp/ballast requirements. *One lamp only.

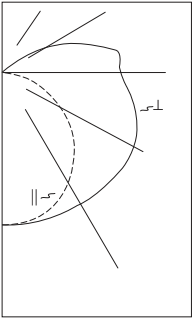
LAMPS CONTAIN MERCURY. DISPOSE ACCORDING TO LOCAL, STATE OR FEDERAL LAWS

LINEAR DISCONNECT

Safe and convenient means of disconnecting power.



PHOTOMETRICS



SNF-132
 Electronic Ballast
 F32T8/35K Lamps
 2900 Lumens
 Spacing criterion:
 (H) 1.2 x mounting
 height, (L) 1.5 x
 mounting height
 Efficiency 93.4%
 Test Report:
 SN132.IES
 LER = FS-85
 Yearly Cost of 1000
 lumens, 3000 hrs at
 .08 KWH = \$2.82

Coefficients of Utilization

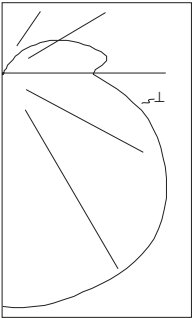
		Effective floor cavity reflectance								20%								
rc	rw	80%				70%				50%			30%			10%		0%
		70	50	30	10	70	50	30	10	50	30	10	50	30	10	50	30	10
RCR																		
0	107	107	107	107	102	102	102	102	94	94	94	86	86	86	79	79	79	76
1	94	89	84	79	90	85	80	76	77	74	70	71	68	65	64	62	60	57
2	84	75	68	61	80	72	65	59	66	60	55	60	55	51	54	51	48	44
3	76	65	57	50	72	62	55	48	57	51	45	52	47	42	47	43	39	36
4	69	57	48	41	66	55	47	40	50	43	38	46	40	35	42	37	33	30
5	63	50	41	34	60	48	39	33	44	37	31	40	34	29	37	31	27	25
6	58	44	35	29	55	43	34	28	39	32	27	36	30	25	33	27	23	21
7	53	40	31	25	50	38	30	24	35	28	23	32	26	21	29	24	20	18
8	49	36	27	21	46	34	26	21	31	24	20	29	23	18	26	21	17	15
9	45	32	24	18	43	31	23	18	28	21	17	26	20	16	24	19	15	13
10	42	29	21	16	40	28	21	16	26	19	15	24	18	14	22	17	13	11

Zonal Lumen Summary

Zone	Lumens	%Lamp	%Fixture
0-30	391	13.5	14.4
0-40	662	22.8	24.5
0-60	1307	45.1	48.3
0-90	2192	75.6	81.0
90-180	515	17.8	19.0
0-180	2708	93.4	100.0

Candela

Angle	Along H	45°	Across L
0	481	481	481
10	474	478	479
20	448	468	481
30	405	447	479
40	347	421	480
50	278	393	481
60	201	367	474
70	120	332	449
80	44	278	408
90	2	237	368
100	2	213	367
110	2	120	259
120	2	38	144
130	3	2	42
140	0	0	0
150	0	0	0
160	0	0	0
170	0	0	0
180	0	0	0



SNF-232
 Electronic Ballast
 Two F32T8/35K Lamps
 2800 Lumens
 Spacing criterion:
 (H) 1.2 x mounting
 height, (L) 1.5 x
 mounting height
 Efficiency 90.1%
 Test Report:
 SNF232.IES
 LER = FS-
 Yearly Cost of 1000
 lumens, 3000 hrs at
 .08 KWH = \$

Coefficients of Utilization

		Effective floor cavity reflectance								20%								
rc	rw	80%				70%				50%			30%			10%		0%
		70	50	30	10	70	50	30	10	50	30	10	50	30	10	50	30	10
RCR																		
0	103	103	103	103	99	99	99	99	90	90	90	83	83	83	76	76	76	72
1	91	86	81	77	87	82	78	74	75	72	68	68	66	63	62	60	58	55
2	82	73	66	60	78	70	64	58	64	59	54	58	54	50	53	50	47	44
3	74	64	55	49	70	61	53	47	55	49	44	51	45	41	46	42	38	35
4	67	56	47	41	64	53	45	39	49	42	37	44	39	35	41	36	32	30
5	62	49	41	34	58	47	39	33	43	37	31	40	34	29	36	31	27	25
6	57	44	36	30	54	42	34	29	39	32	27	36	30	25	33	28	24	22
7	52	40	31	26	50	38	30	25	35	28	24	32	27	22	30	25	21	19
8	49	36	28	23	46	35	27	22	32	25	21	29	24	20	27	22	19	17
9	45	33	25	20	43	32	25	20	29	23	19	27	22	18	25	20	17	15
10	42	30	23	18	40	29	22	18	27	21	17	25	20	16	23	18	15	13

Zonal Lumen Summary

Zone	Lumens	%Lamp	%Fixture
0-30	805	14.4	16.0
0-40	1364	24.4	27.0
0-60	2638	47.1	52.3
0-90	4049	72.3	80.3
90-180	993	17.7	19.7
0-180	5043	90.1	100.0

Luminance Data

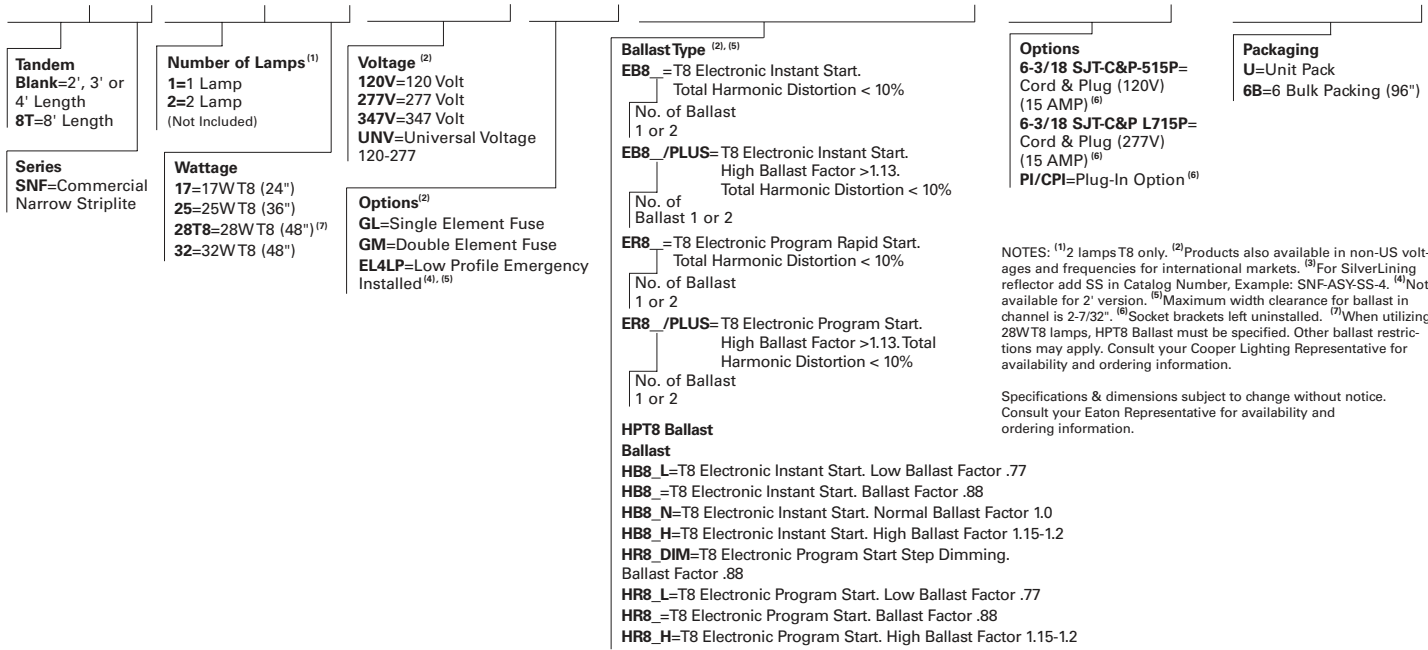
Angle in Deg	Average 0-Deg cd/sm	Average 45-Deg cd/sm	Average 90-Deg fcd/sm
45	13624	17577	20140
55	12829	19375	22766
65	11676	22113	27282
75	9619	28523	36952
85	5173	56907	82706

Candela

Angle	Along H	45°	Across L
0	989	989	989
10	974	986	991
20	924	958	989
30	835	918	995
40	716	868	982
50	572	797	921
60	413	689	829
70	248	563	715
80	92	412	566
90	1	272	420
100	1	304	490
110	0	240	410
120	1	179	325
130	1	121	235
140	2	66	149
150	2	18	69
160	3	2	9
170	3	2	0
180	2	2	2

ORDERING INFORMATION

SAMPLE NUMBER: SNF-232-UNV-EB81-U



ACCESSORIES

- (Order Separately)
- AYC-Chain/Set=36" Chain Hanger (Use 1 Set Per Fixture)
 - SCF=Fixed Stem Set (Specify Length)
 - SCS=Swivel Stem Set (Specify Length)
 - SCA=Adjustable 48" Stem Set
 - EYE-CHAIN/SET-B=Eye Bolt Chain (Use 1 Set Per Fixture)
 - SNF-ASY-4⁽³⁾=3" Asymmetric Reflector (Specify 2', 3' or 4')
 - SNF-SYM-4⁽³⁾=6" Symmetric Reflector (Specify 2', 3' or 4')
 - SNF-REV-4⁽³⁾=Reverse Asymmetric Reflector (Specify 2', 3' or 4')
 - WG/SNF-2FT=2' Wire Guard
 - WG/SNF-3FT=3' Wire Guard
 - WG/SNF-4FT=4' Wire Guard
 - A1B/Spacer-U=Spacer 1-1/2" to 2-1/2" from ceiling (Use 2 Per Fixture)
 - TOGGLE=Single Toggle NO. 2 (Specify Length)
 - Y-TOGGLE=Y Toggle NO. 2 (Specify Length)
- (Additional Accessories Available. See Options and Accessories Section.)

SHIPPING DATA

Catalog No.	Wt.
SNF-117	5 lbs.
SNF-217	5 lbs.
SNF-125	6 lbs.
SNF-225	6 lbs.
SNF-132	12 lbs.
SNF-232	12 lbs.
SNF-128T8	12 lbs.
SNF-228T8	12 lbs.
8TSNF-132	14 lbs.
8TSNF-232	14 lbs.