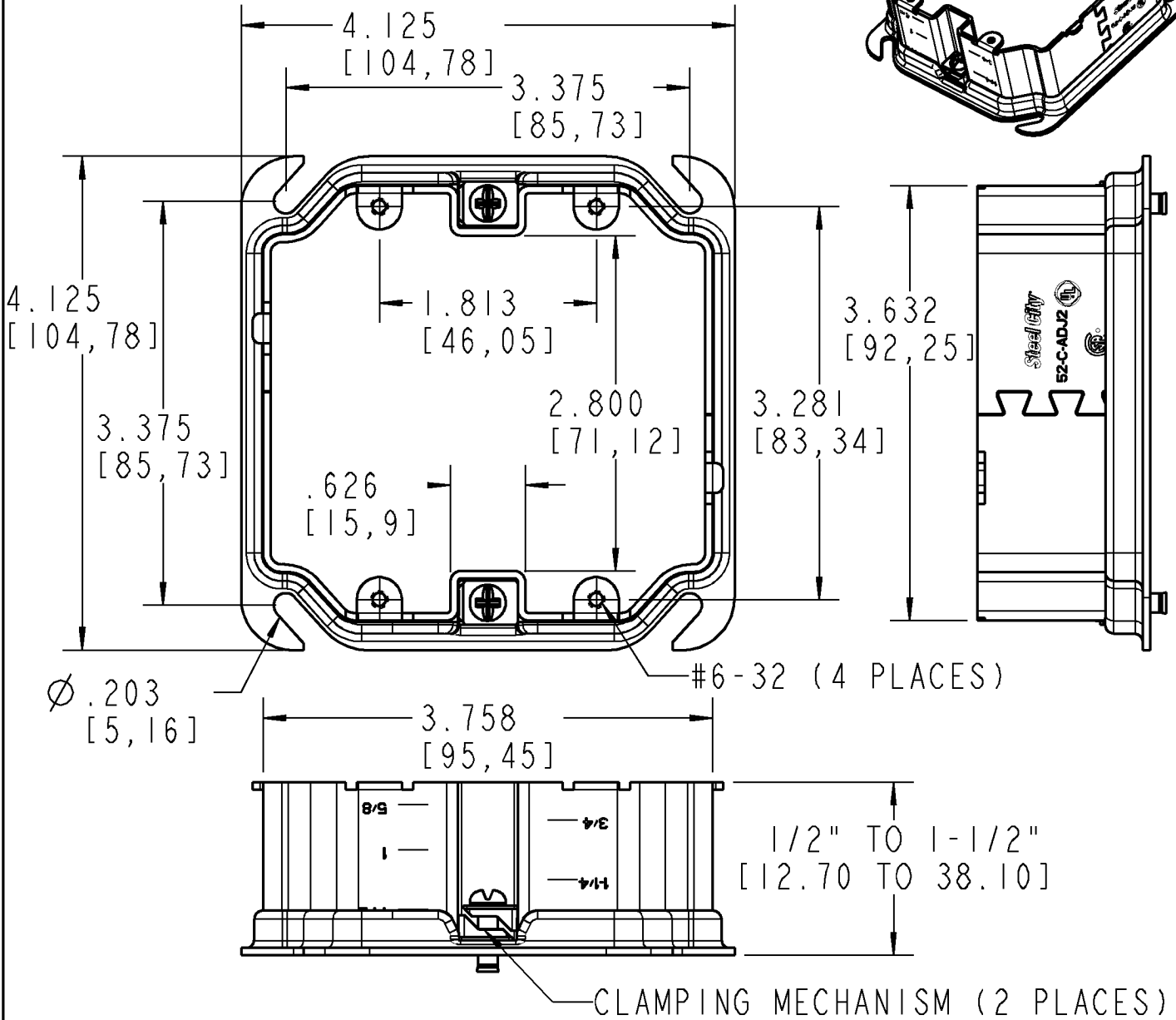
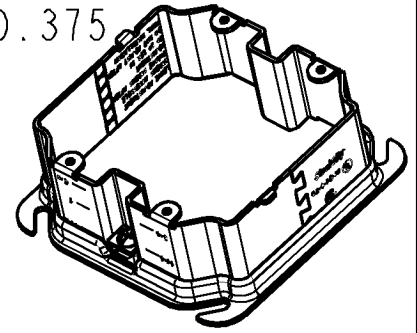




# Steel City



SCALE 0.375



CAT. NO.: 52-C-ADJ2

MATERIAL: .063 PRE-GALVANIZED STEEL OR STEEL ELECTRO GALV. ZINC

### GENERAL NOTES

- ALL DIMENSIONS ARE FOR REFERENCE ONLY.
- DIMENSIONS IN BRACKETS [ ] ARE IN METRIC UNITS.

### REVISIONS

\*\*\* SEE ERN (\*\*\*\*) FOR APPROVAL SIGNATURES & RELEASE DATE.  
PROJECT NO: \*\*\*\*

## Thomas & Betts

www.tnb.com

DESCRIPTION: **2 GANG ADJUSTABLE MUD RING**  
**1/2" TO 1-1/2"**

ORIGINAL PROJECT NO / ( ERN NO )  
ND55742 / ( 2010773 )

SHEET NO:  
1 OF 1

REV. NO:  
0

DRAWING NO:  
WSD-000507