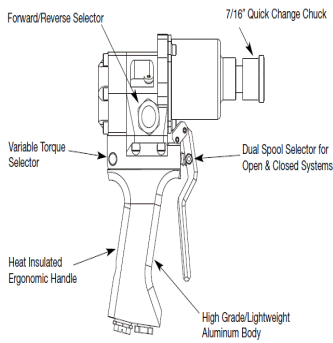




BURNDY Catalog Number
UPC Number
Description
Status

HIW716ENF
 7818104729033
 HYD IMPACT WRENCH 7/16IN
 Active

Web Use
 BURNDY Product Line



Dimensional	
Width (in)	3
Length (in)	515 ft-lbs, 7.8
Height (in)	8.9
General	
Warranty	5 Year Limited
Weight lbs	5.95
Product Description	Hydraulic Impact Wrench Variable Torque, 7.80 in L, 3.10 in W
Approvals / Certifications	
ROHS Compatible	Exempt
CULUS	N
Physical	
Pressure (Operating)	750-2000 PSI
Chuck Type	7/16 in. Quick Chuck
Flow Range	4-12 GPM
Documentation	

For further technical assistance, please contact us

BURNDY LLC - USA

47 East Industrial Park Drive
 Manchester NH 03109

BURNDY Technical Services

47 East Industrial Park Drive
 Manchester NH 03109

Hours: 8:00 AM - 5:00 PM
 Monday - Friday
 Phone: 800-346-4175