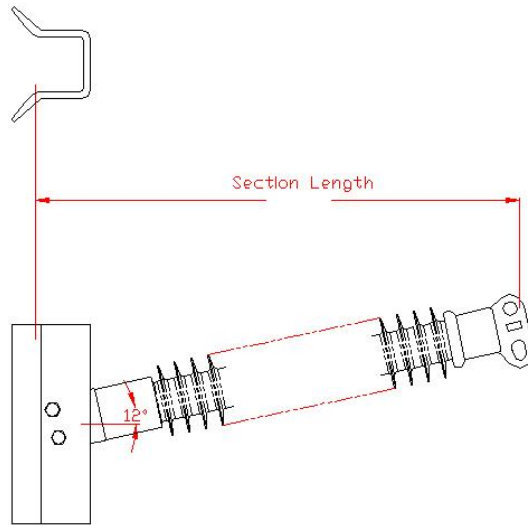


P250024S0020

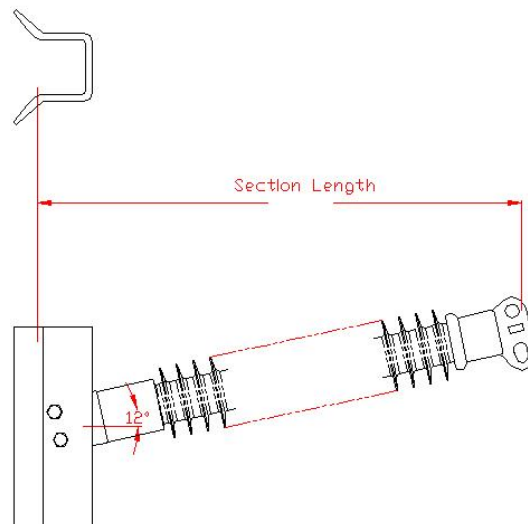


Product Specifications

Typical System Voltage	69kV / 115kV
Rod Diameter	2.5 IN, 2.5"
Top/Ground End Fitting	Tear Drop Blade
Bottom/Line End Fitting	Aluminum Gain 12" (305mm) CL mounting
Section Length	36.9 IN (938 MM)
Leakage Distance	63 IN (1600 mm)
Corona Ring	None
Polymer Length	24.39 IN
System Voltage (kV)	69kV
Dry Arc Distance	25 IN (635 MM)
Number of Sheds	20
Shed Style	Uniform
Shed Diameter	5.06"
SCL	5000 LB
RCL	2500 LB
Thickness of housing over Rod	> 3MM
ANSI 60Hz Dry FO	255
ANSI 60Hz Wet FO	235
IEC lightning Impulse Withstand - Positive	385
IEC lightning Impulse Withstand - Negative	505

Compressed Product Number

P250024S0020





[Warranty Info](#) | [Trademarks](#) | [Terms of Use](#)

All contents Copyright © 2007 Hubbell Power Systems, Inc. All rights reserved.

NOTE: Because Hubbell has a policy of continuous product improvement, we reserve the right to change design and specifications without notice.