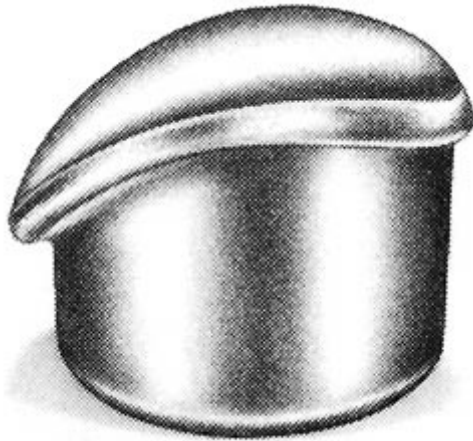




**Product Datasheet**

**ANDERSON FARGO**

**WTT155030 -- Tee, Aluminum Weldment**



Tee, Aluminum Weldment, Angle, Tube to Tube, 5 to 3 IPS/EHIPS tubes

**Product Specifications**

**Family Image**



Tees

**Tees**



**WTT-15 Series**  
Tube to Tube, 15 Degree  
Aluminum Weldment Tees

**PDF Catalog Page**

[Click HERE to view the web page.](#)

**Dimension A**

2.50 in (63.5 mm)

**Dimension B**

5.69 in (144.5 mm)

**Dimension L**

5.13 in (130.2 mm)

**Material Type**

Non-Standard

**UPC Code**

09635934325

**Standard Package**

1

**Standard Package Unit**

Each

**Min Order Qty**

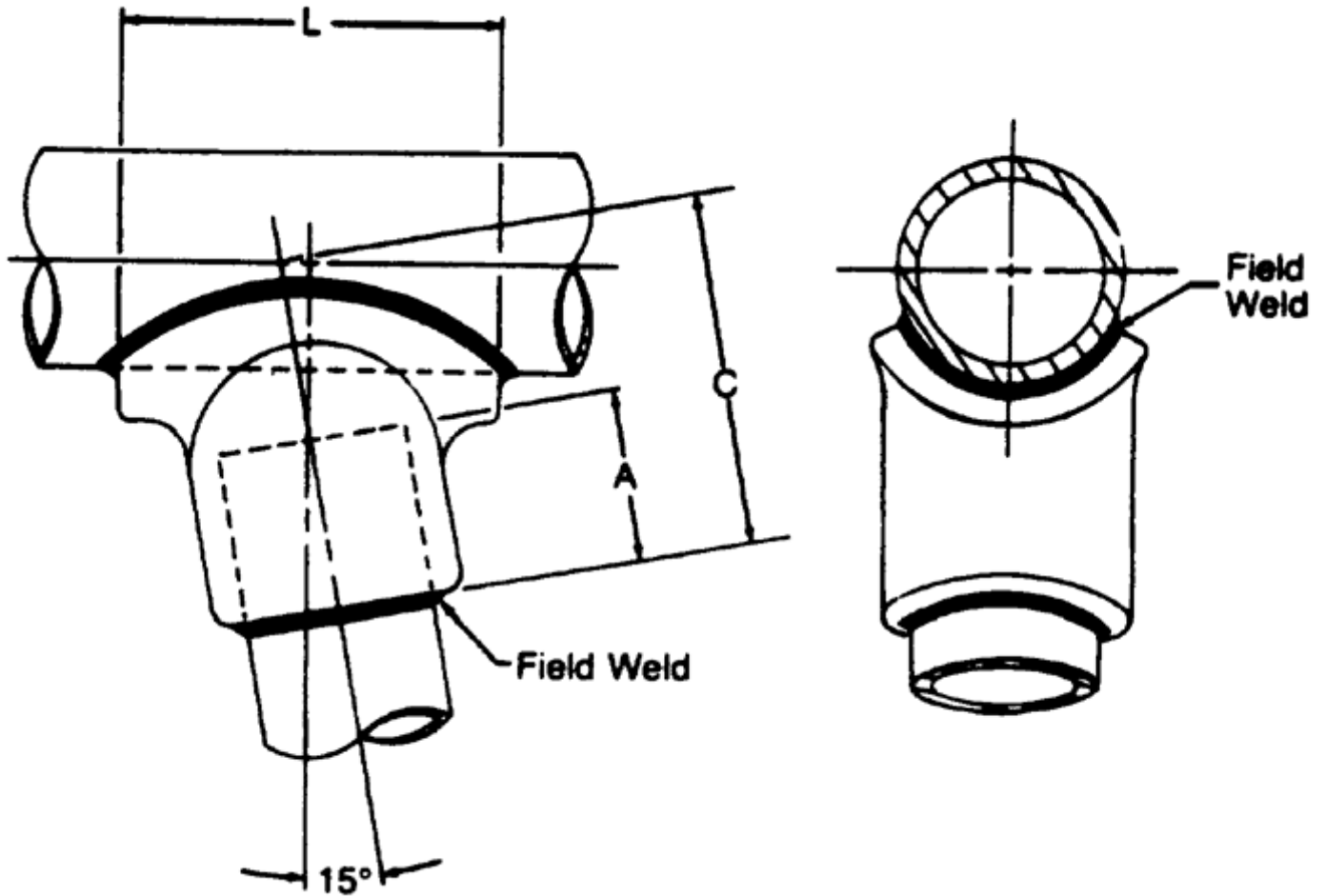
1

Weight / Ea.

3.43 lbs

**Compressed Product Number**

WTT155030



[Catalog Home](#)



[Warranty Info](#) | [Trademarks](#) | [Terms of Use](#)

*All contents Copyright © 2007 Hubbell Power Systems, Inc. All rights reserved.*

NOTE: Because Hubbell has a policy of continuous product improvement, we reserve the right to change design and specifications without notice.