

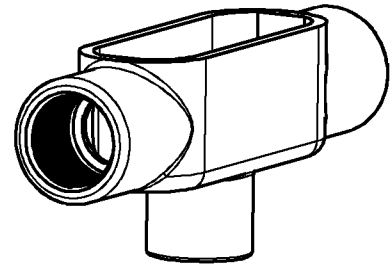
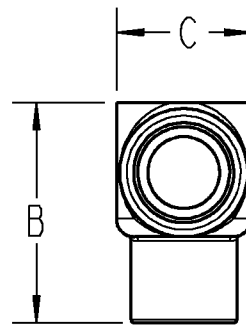
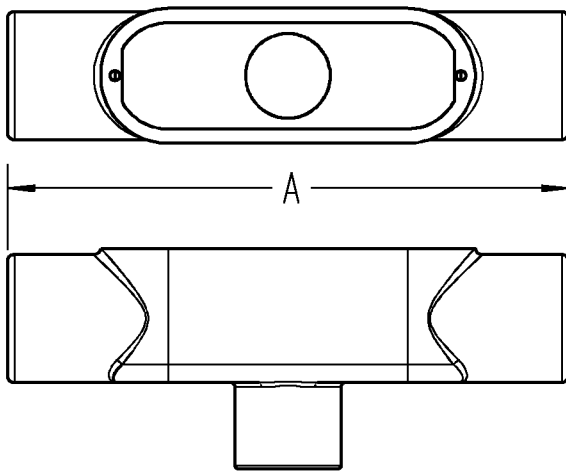


T&B Conduit Bodies



NOTES:

1. MATERIAL: MALLEABLE IRON
2. FINISH: ZINC PLATE
3. TWO SCREW STYLE SHOWN



CAT. No.	SIZE	DESCRIPTION	DIM "A"	DIM "B"	DIM "C"
TB50M	1/2"	RIGID TB CONDUIT BODIES	5-1/4"	1-5/16"	1-5/16"
TB75M	3/4"	RIGID TB CONDUIT BODIES	6-1/16"	1-9/16"	1-9/16"
TB100M	1"	RIGID TB CONDUIT BODIES	7-1/8"	1-13/16"	1-13/16"
TB125M	1-1/4"	RIGID TB CONDUIT BODIES	9-5/16"	3-3/4"	2-7/16"
TB150M	1-1/2"	RIGID TB CONDUIT BODIES	9-5/16"	3-3/4"	2-9/16"
TB200M	2"	RIGID TB CONDUIT BODIES	11-13/16"	3-1/8"	3-3/16"

GENERAL NOTES

1. ALL DIMENSIONS ARE FOR REFERENCE ONLY.
2. DIMENSIONS IN BRACKETS [] ARE IN METRIC UNITS.

REVISIONS

- SEE ERN (****) FOR APPROVAL SIGNATURES & RELEASE DATE.
PROJECT NO: ****

Thomas & Betts
www.tnb.com

DESCRIPTION:

RIGID TB CONDUIT BODIES

ORIGINAL PROJECT NO / (ERN NO)

RD55597 / (2006461)

SHEET NO:

1 OF 1

REV. NO:

-

DRAWING NO:

WSD-000258