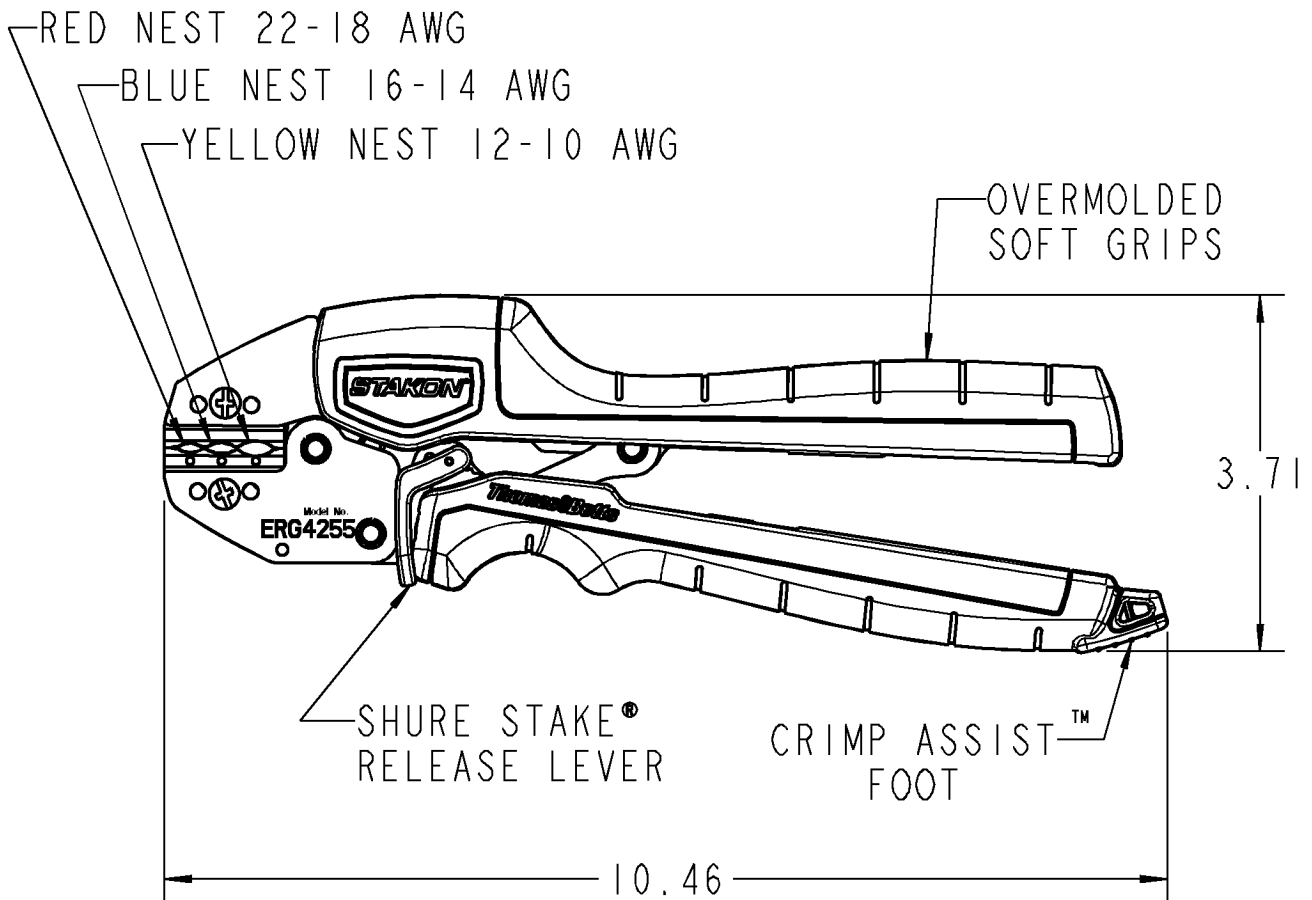


FOR INSTALLING STA-KON® HEAT SHRINKABLE
 NYLON INSULATED TERMINALS, DISCONNECTS,
 AND SPLICES ON COPPER WIRE, 22-10 AWG



CAUTION: HANDLES NON-INSULATING,
 DO NOT CRIMP ENERGIZED WIRES

GENERAL NOTES	 			
1. ALL DIMENSIONS ARE FOR REFERENCE ONLY. 2. DIMENSIONS IN BRACKETS [] ARE IN METRIC UNITS.	DESCRIPTION: ERG4255 COMFORT CRIMP® COMPRESSION TOOL WITH SHURE STAKE® MECHANISM			
REVISIONS	ORIGINAL PROJECT NO / (ERN NO) TD55632 / (2010868)	SHEET NO: 1 OF 1	REV. NO: **	DRAWING NO: WSD-000504
** SEE ERN (****) FOR APPROVAL SIGNATURES & RELEASE DATE. PROJECT NO: ****				