

Product End-of-Life Instructions

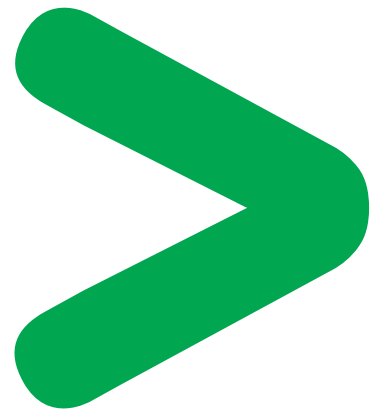
ALTIVAR 312 0.18 - 15 kW

Product Range

ALTIVAR 312 0.18-15 kW / 200-240V / 380-500V / 525-600V, 1PH or 3PH

Marketing Model

8I64S200018000, 8I64S200037000, 8I64S200055000, 8I64S200075000, 8I64S200110000, 8I64S200150000, 8I64S200220000, 8I64T400037000, 8I64T400055000, 8I64T400075000, 8I64T400110000, 8I64T400150000, 8I64T400220000, 8I64T400300000, 8I64T400400000, 8I64T400550000, 8I64T400750000, 8I64T401100000, 8I64T401500000, ATV312H018M2, ATV312H018M3, ATV312H037M2, ATV312H037M3, ATV312H037N4, ATV312H055M2, ATV312H055M3, ATV312H055N4, ATV312H075M2, ATV312H075M3, ATV312H075N4, ATV312HD11M3, ATV312HD11N4, ATV312HD15M3, ATV312HD15N4, ATV312HU11M2, ATV312HU11M3, ATV312HU11N4, ATV312HU15M2, ATV312HU15M3, ATV312HU15N4, ATV312HU22M2, ATV312HU22M3, ATV312HU22N4, ATV312HU30M3, ATV312HU30N4, ATV312HU40M3, ATV312HU40N4, ATV312HU55M3, ATV312HU55N4, ATV312HU75M3, ATV312HU75N4.



Size in mm (or m):

W x H x D : 72 x 145 x 142

Weight (excluding packaging) in g:

1090



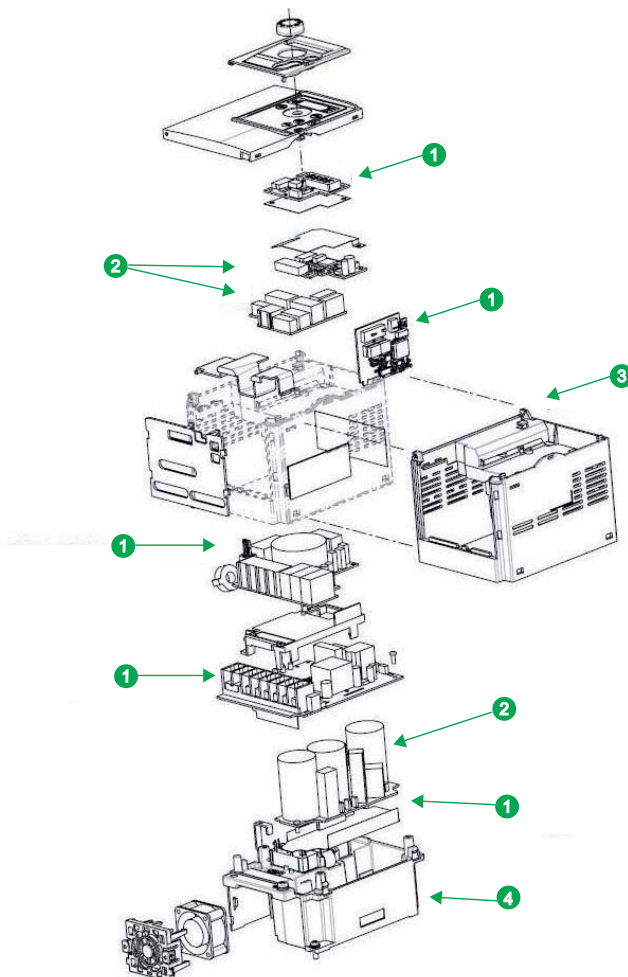
Operations recommended for the end of life treatment

There are several steps to process the products at the end of life so as to recover components, materials or energy :

Reuse ⇒ Depollution ⇒ Dismantling ⇒ Shredding

The components of the products that are recommended to be depolluted (according to the WEEE 2002/96/EC list) or that are recommended to be re-used or dismantled so as to improve the material recovery or that lead to some hazards are listed, identified and located hereunder.

This ATV312 contains electrolytic capacitors which may cause electrical shock during the end of life treatment process. **BEFORE SERVICING, REMOVE ALL POWER, WAIT 15 MINUTES.**



Types of Components	Number on drawing	Components description
Components listed for operating hazards	2	Electrolytic capacitors
Components listed for reuse	None	None
Components listed for depollution	1	Printed Circuit Board Assembly (PCBA)
	2	Electrolytic capacitors
Components listed for dismantling operation which improves the recycling performance	3	Plastic parts > PC FR <
	4	Aluminium (heatsink)

Schneider Electric Industries SAS

35, rue Joseph Monier
CS30323
F - 92506 Rueil Malmaison Cedex

RCS Nanterre 954 503 439
Capital social 896 313 776 €
www.schneider-electric.com

The version of the Guide used to create the document: End of Life Instruction Drafting Guide of Schneider Electric version V1.

Publication : Schneider Electric