



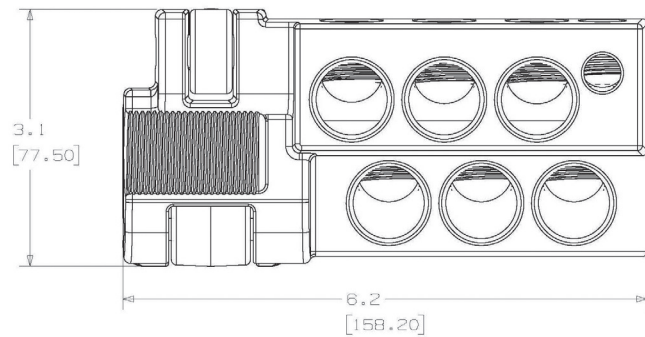
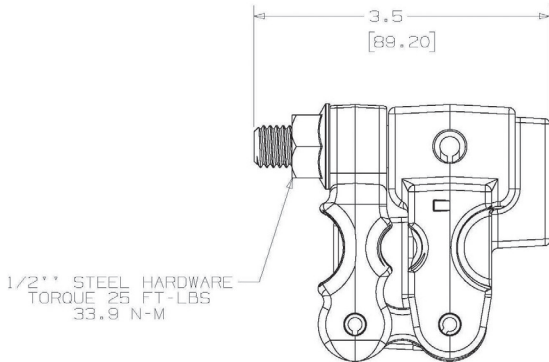
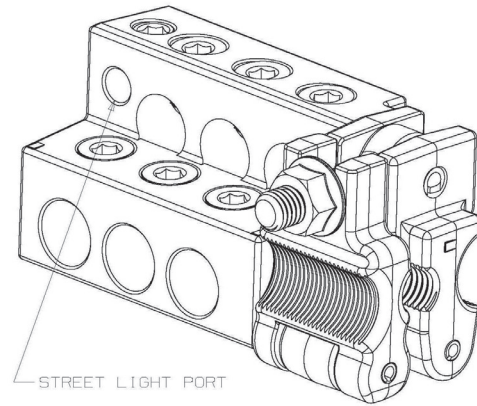
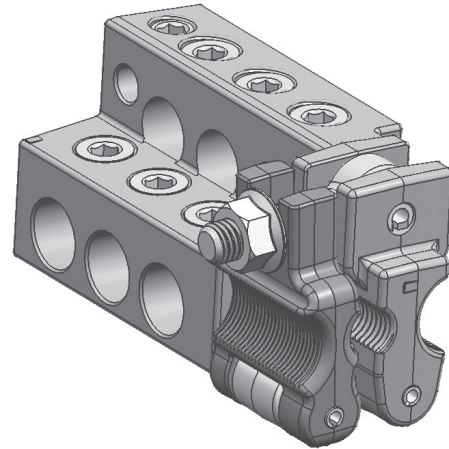
# SET SCREW BAR TRANSFORMER CONNECTORS TOGGLE LATCH

ALUMINUM  
UTZB

- For connecting secondary underground applications to transformer studs.
- Innovative “Toggle Latch” mechanism provides unmatched ease of installation, along with superior electrical performance.
- Reduced inventory; one part accepts both 5/8”-11 and 1”-14 thread transformer studs.
- Oxide Inhibiting Compound provided as part of standard in stud and tap holes.
- Allen head set screws (fits 5/16” allen wrench) provide constant pressure on conductors.
- Meets or exceeds ANSI C119.6 Class “A” tests.
- Toggle nut is 3/4” across flats, fits standard GP223 Speed Wrench.

**Material:** **Body** - Aluminum Alloy  
**Set Screws** - Aluminum Alloy  
**Hardware** - High Strength Steel  
**Boot/Cover** - Poly-vinyl Chloride (PVC)

**Note:** Not suitable for submersible installations.



Units are expressed in inches (millimeters)

## Product Data & Conductor Size

CATALOG NUMBER	TRANSFORMER STUD SIZES	CONDUCTOR RANGE		MAIN PORTS	STREET LIGHT PORTS	PACKAGING PER BOX	
		MAIN PORTS	STREET LIGHT PORT			UNITS	WEIGHT (LBS)
UTZB6500L	5/8”-11 & 1”-14”	#6 SOL - 500 MCM	#12 SOL - 1/0 SOL	6	1	12	32
		0.162” - 0.813”	0.081” - 0.325”				

NOTE: Add suffix “C” for kit with stud bar & clear PVC cover (UTZB6500CL). Factory applied inhibitor (HTJC) included standard.  
 Cover Part Number: CZTL6500