

**Replacing LED Lamps**

The LED lamps inside the unit are not replaceable or field serviceable. Please see the Dual-Lite website for further assistance.

**Troubleshooting**

**Emergency circuit does not work**

- Check wiring connections



**RECYCLING INFORMATION**

All steel, aluminum and thermoplastic parts are recyclable.  
 NOTICE: Emergency units contain rechargeable batteries which must be recycled or disposed of properly.

93158905\_A



**Current Lighting Solutions, LLC**

701 Millennium Blvd.  
 Greenville, SC 29607

[currentlighting.com/dual-lite](http://currentlighting.com/dual-lite)

© 2022 HLI Solutions, Inc. All rights reserved. Information and specifications subject to change without notice. All values are design or typical values when measured under laboratory conditions.

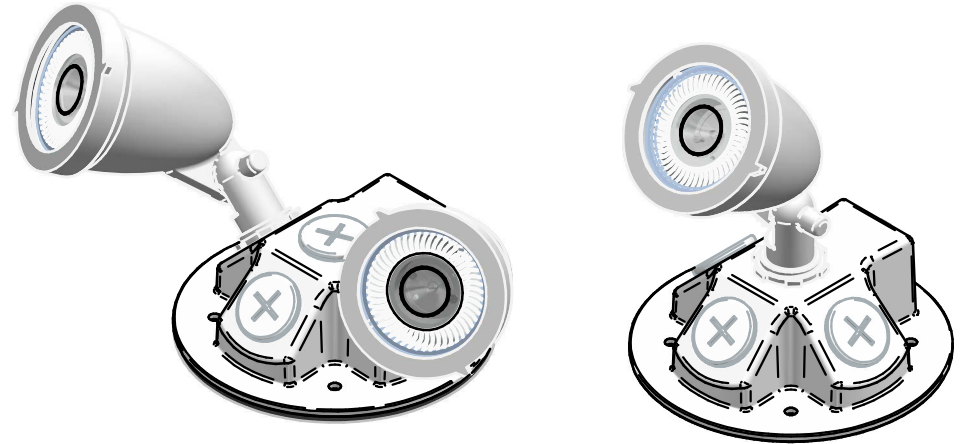
Rev 06/07/22

DL\_OCR\_instruction\_sheet\_93158905\_A\_R01



**OCR-03L**

**LED Outdoor Emergency Remote Light Fixture  
 Installation, Operation and Service Instructions**



93158309, 93158310

**IMPORTANT SAFEGUARDS**

When using electrical equipment, basic safety precautions should always be followed including the following.

**READ AND FOLLOW ALL SAFETY INSTRUCTIONS**

1. Do not let power supply cords touch hot surfaces.
2. Do not mount near gas or electric heaters.
3. Equipment should be mounted in locations and at heights where it will not readily be subject to tampering by unauthorized personnel.
4. The use of accessory equipment not authorized by the manufacturer may cause an unsafe condition.
5. Do not use this equipment for other than its intended purpose.
6. Servicing of this equipment should be performed by qualified service personnel.
7. Test cycling: the Life Safety Code (NFPA 101) requires testing of emergency lighting units once a month for a minimum of 30 seconds, and once a year for a minimum of 90 minutes.

**INSTALLER:**

- SEE UNIT LABEL FOR ADDITIONAL MODEL SPECIFICATIONS
- SAVE THESE INSTRUCTIONS FOR USE BY OWNER/OCCUPANT

**WARNING** – This product contains chemicals known to the State of California to cause cancer, birth defects and/or other reproductive harm. Thoroughly wash hands after installing, handling, cleaning, or otherwise touching this product.



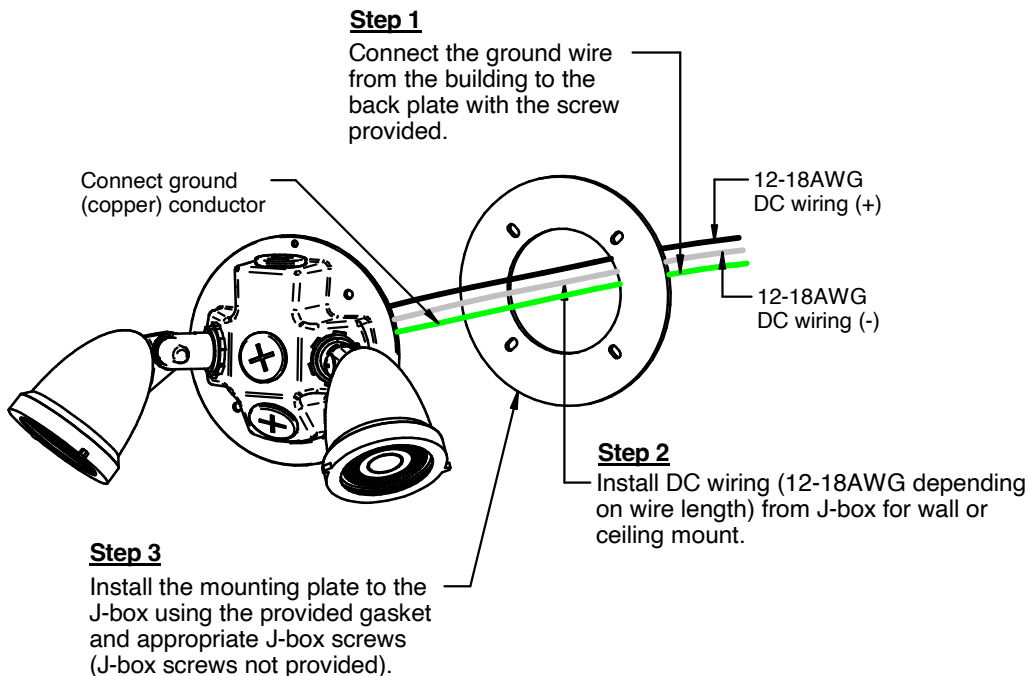
---

## FIXTURE INSTALLATION

---

### **NOTE:**

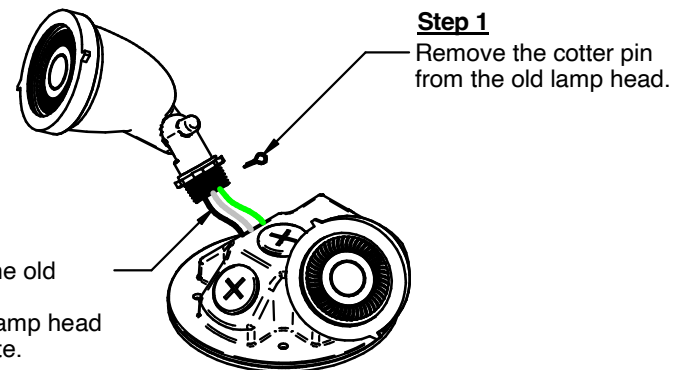
The OCR-03L fixture can be wall mounted or ceiling mounted at a height of 7ft to 10ft. The LED lamps can be adjusted to desired position. The lamp heads can be locked in desired position using the lock nut and screw.



---

## REPLACEMENT HEAD INSTALLATION

---



**Step 2**  
Cut the wires of the old lamp head. Unscrew the old lamp head from the base plate.

**Step 3**  
Remove the cotter pin from the new lamp head. Screw in the new lamp head.

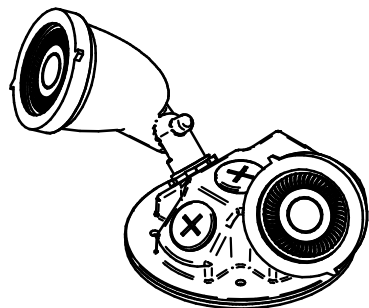
**Step 4**  
Connect the red and black wires. Insert the cotter pin back in the screw head.

---

## NOTES

---

Configuring the number of OCR remotes requires calculation of total wattage capacity based on the capacity of the fixture powering the remotes.



### OCR-03L wattage for calculation:

- OCRSB-03L = 3W
- OCRSW-03L = 3W
- OCRSZ-03L = 3W
- OCRDB-03L = 6W
- OCRDW-03L = 6W
- OCRDZ-03L = 6W