

PG

Emergency LED Sconce

FEATURES

Application

The PG is an indoor/outdoor, die-cast architectural emergency unit. It is a wet location listed, emergency luminaire with high-output LED technology that provides path of egress illumination for mounting over entrance/exit ways and perimeter walkways. Spectron® self-testing/self-diagnostic electronics are included standard. A battery heater for cold temperature operation is available as an option.

Construction

Housing and mounting plate are constructed of 0.125" die-cast aluminum and 0.125" closed-cell, medium density, neoprene gasket. The acrylic lens allows 92% light transmission. The reflector is electro-polished aluminum with 95% reflectance. Housing finish is powder coated electro-deposition paint available in four colors: dark bronze, white, platinum silver and black.

Installation

Universal housing knockouts for mounting to standard 31/2" and 4" octagon and 4" square electrical boxes. A 1/2" - 1/4 NPT threaded conduit opening is provided at the top of the housing and sealed with a closure plug. The back plate mounts to the wall surface using installer supplied hardware. The housing "snaps" to the back plate by a "pin and socket" arrangement, and is secured with two Fillister head screws. AC Lockout feature prevents battery discharge prior to initial unit power-up saving installation time.

Lamps

Four high-output, long life LED lamps arranged in redundant pairs.

Compliances

- UL 924 Listed (emergency models only)
- UL Wet Location Listed
- NFPA 101 Life Safety Code
- NFPA 70 National Electrical Code
- OSHA
- U.S. Patent No. D627,916

Warranty

- Fixture: 5 Years Full
- Battery: 2 Years Full, 8 Years Pro Rata
- Lifetime LED Warranty

Catalog Number	
Comments	Type



White



Dark Bronze



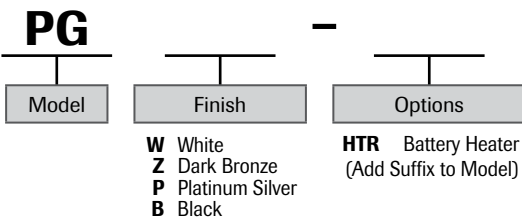
Platinum Silver



Black

Reference "Remote Heads and Fixtures" specification sheet for information on matching PG remote

ORDERING GUIDE



PGR Remote LED

SPECIFICATIONS

Electronics

Upon failure of the normal utility power, a solid-state transfer switch automatically activates the emergency lamp. Upon resumption of the normal utility power, the battery is disconnected from the load and recharged through a solid-state charging unit. A low voltage battery disconnect feature protects the battery from severe damage during prolonged power failures. Spectron® self-testing/self-diagnostic circuitry provides automatic system testing on a monthly and semi-annual basis. Manual testing is available at any time using the push-to-test button: push once for a 60-second system test; push twice for a 90-minute system test.

Number of Lamps: Four high output LEDs

Lamp Configuration: Two sets of 2 LEDs provide illumination. In the unlikely event that any single LED should fail the remaining LEDs will continue to function.

Lamp Type: Solid state high output LEDs

Lamp Color: Cool White, 6350K

Total Lamp Output: 405 Lumens

Input: 120/277VAC, 60 Hz

Battery Charger: Temperature compensating, constant current

Transfer: Solid state

Functional Circuitry: AC lockout, transformer isolation, transient surge protection, low voltage battery disconnect, brownout detection, time delay retransfer

Battery Recharge Cycle: per UL time standards

Test Means: Integral test switch

Battery: Sealed, maintenance-free Nickel-Cadmium

Operating Temperature Range for Models without Heater:
0°C to 50°C (32°F to 122°F)

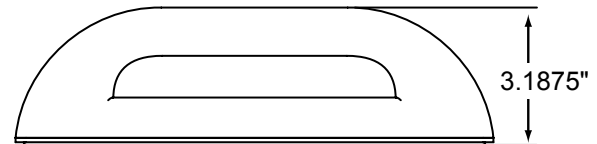
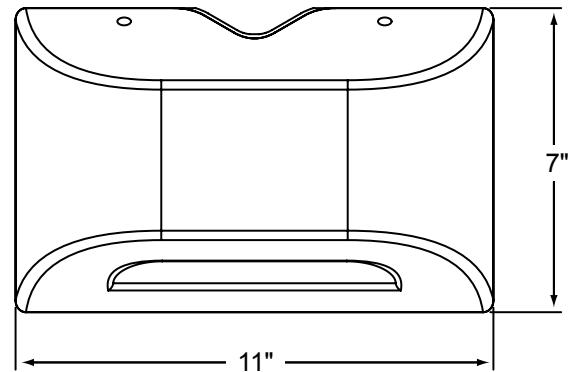
Operating Temperature Range for Models with Heater:
-30°C to 50°C (-22°F to 122°F)

Power Consumption

Models Without Heater		Models With Heater	
120VAC	2.78 watts	120VAC	15.2 watts
277VAC	2.88 watts	277VAC	15.7 watts

Power factor, average: 0.8 (lagging)

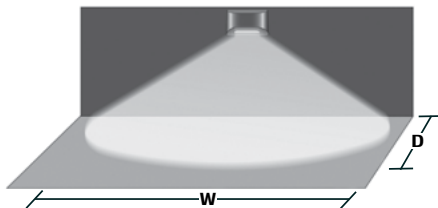
DIMENSIONS



ILLUMINATION PATTERN

SINGLE UNIT COVERAGE

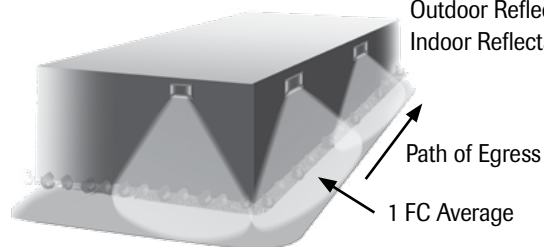
Mounting Height: 9'
Outdoor Reflectance: 0/30/10
Indoor Reflectance: 80/50/20



	Indoor	Outdoor
1 FC Average (W x D)	33' X 10'	27' X 10'
1 FC Minimum (W x D)	10' X 10'	9' X 10'

MULTIPLE UNIT SPACING

Mounting Height: 9'
Illuminated Path Depth: 6'
Outdoor Reflectance: 30/10
Indoor Reflectance: 80/50/20



	Indoor	Outdoor
1 FC Average	44'	33'
1 FC Minimum	16'	15'