



Main

Range of product	Modicon M238 logic controller
Product or component type	Analog input module
Analogue input number	8
Analogue input type	Current 4...20 mA non differential Voltage 0...10 V non differential
Cross talk	<= 1 LSB

Complementary

Range compatibility	Advantys OTB Twido
Analogue input resolution	10 bits
LSB value	19.5 μ A current 9.7 mV voltage
Permissible continuous overload	13 V voltage 40 mA current
Input impedance	\geq 10 kOhm voltage 470 Ohm current
Sampling duration	\leq 160 ms
Acquisition period	160 ms per channel + 1 controller cycle time
Measurement error	\pm 0.2 % of full scale 25 °C
Temperature coefficient	\pm 0.01 %FS/°C
Repeat accuracy	\pm 0.4 %FS
Non-linearity	\pm 0.002 %FS
Total error	\pm 1 %FS
Type of cable	Shielded cable
Insulation between channel and internal logic	Photocoupler
Supply	External supply
[Us] rated supply voltage	24 V DC
Supply voltage limits	20.4...28.8 V
Electrical connection	1 removable screw terminal block power supply 1 removable screw terminal block sensors
Current consumption	45 mA 24 V DC external 60 mA 5 V DC internal
Product weight	0.19 lb(US) (0.085 kg)

Environment

dielectric strength	2500 V between the I/O and internal logic
width	0.93 in (23.5 mm)
depth	2.76 in (70 mm)
height	3.54 in (90 mm)

Offer Sustainability

Green Premium product	Green Premium product
Compliant - since 1039 - Schneider Electric declaration of conformity	Compliant - since 1039 - Schneider Electric declaration of conformity

The information provided in this documentation contains general descriptions and/or technical characteristics of the products contained herein. This documentation is not intended as a substitute for and is not to be used for determining suitability or reliability of these products for specific user applications. It is the duty of any such user or integrator to perform the appropriate and complete risk analysis, evaluation and testing of the products with respect to the relevant specific application or use thereof. Neither Schneider Electric Industries SAS nor any of its affiliates or subsidiaries shall be responsible or liable for misuse of the information contained herein.

Reference not containing SVHC above the threshold Reference not containing SVHC above the threshold

Available Available

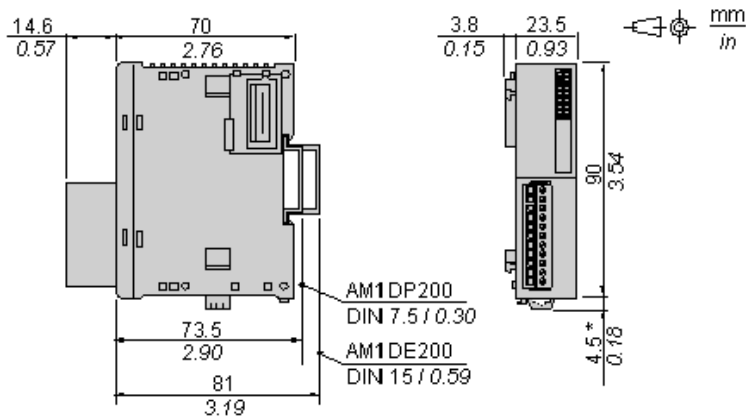
Available Available

Contractual warranty

Warranty period 18 months

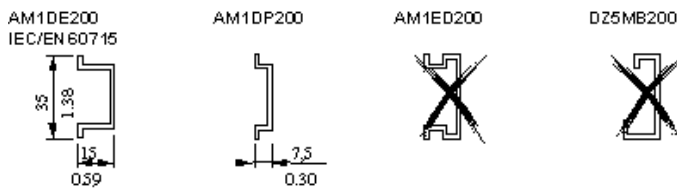
Analog Input Module (8-channel, Voltage/Current)

Dimensions



NOTE: * 8.5 mm (0.33 in) when the clip-on lock is pulled out.

DIN Rail Mounting

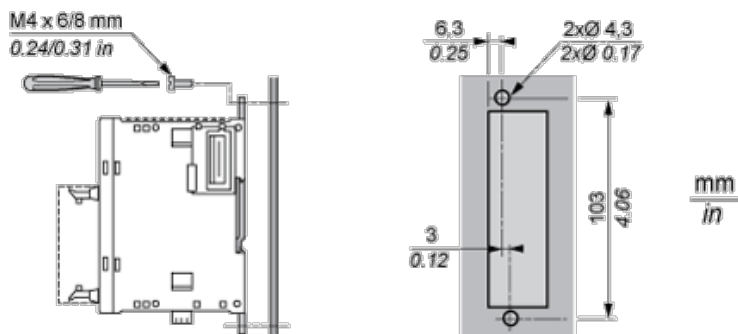


Rail depth	Catalogue part number
15 mm (0.59 in.)	AM1DE200
7,5 mm (0.30 in.)	AM1DP200

NOTE: Do not use AM1ED200 and DZ5MB200

Module Mounting on a Panel Surface

Mounting Hole Layout



Wiring Requirements

Cable Types and Wire Sizes for Removable Screw Terminal Block

 9 0.35 mm in.							
mm ²	0,14...1,5	0,25...0,5	0,25...1,5	0,14...0,5	0,14...0,75	0,25...0,34	0,5
AWG	26...16	24...20	24...16	26...20	26...18	24...22	20

Analog Input Module (8-channel, Voltage/Current)

Wiring Diagram

