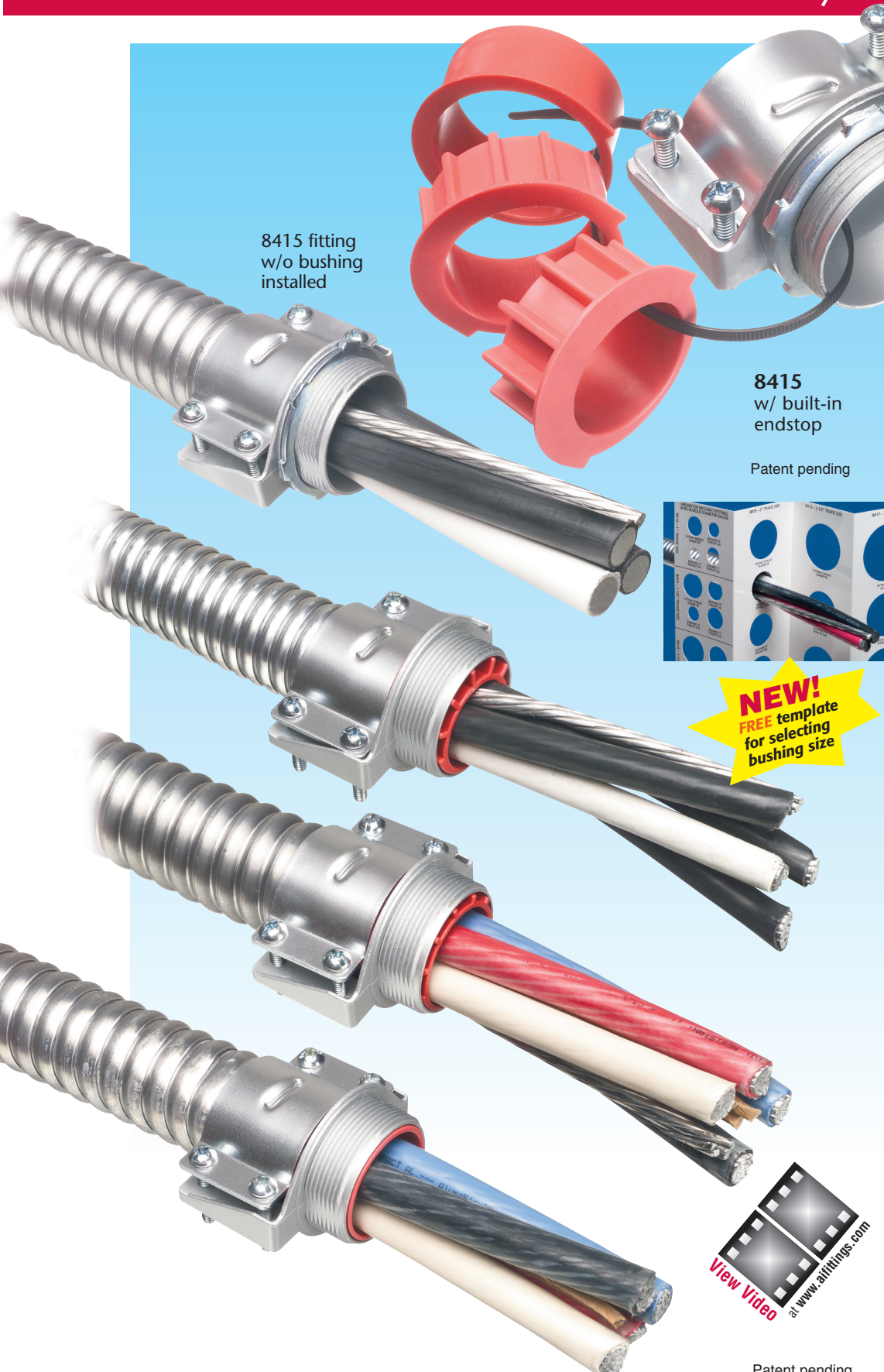


MC Cable Fittings

NEW!
See reverse

Low cost • Fits several cable sizes • Dry locations only



8415 fitting w/o bushing installed

8415 w/ built-in endstop

Patent pending

NEW!
FREE template for selecting bushing size

Save time and money! Arlington's new, low cost MC cable fittings in a variety of sizes, are super-convenient and cost-effective. Each fitting has a built-in end stop, but also comes with additional end stop bushings that accommodate different size cable bundles. ONE trade size fits several cable sizes!

If required, using an end stop bushing is fast and easy. There's no need to remove the strap. Just loosen the screws and insert the bushing that works the best with the cables you're installing in dry locations.

Our zinc diecast MC cable fittings cost much less than steel or malleable iron fittings – and reduce inventory.

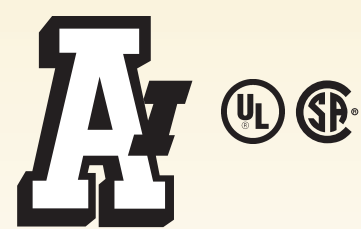
- Built-in end stop in fitting
- UL/CSA Listed

Cable Bundle Diameter-2" Trade Size (8415)

Outer Diameter:	MIN.	MAX.
of Cable	1.70	2.20
of Wire Bundle	1.55	2.05

Examples of 3- and 4-conductor cables usable with 2" Trade Size (8415)

Conductor size/ # of conductors (AWG/KCMIL)	300-4 500-3	350-3	250-4 350-4



Arlington

1 Stauffer Industrial Park
Scranton, PA 18517
800/233.4717
Fax 570/562.0646
www.aifittings.com



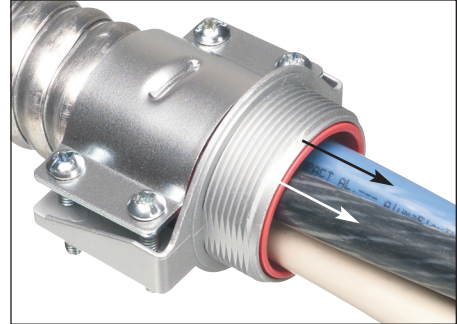
Patent pending

MC Cable Fittings • Free wire bundle template

One trade size fits a variety of MC cable sizes

Catalog Number	UPC/DEI/NAED Mfg. #018997	K.O. Size	Unit/Std Pkg	Cable Outer Dia.		Wire Bundle Outer Dia.**		Conductor size #/Conductors* (AWG/KCMIL)	CSA Tech 90 Conductor size #/Conductors (AWG/KCMIL)
				Min.	Max.	Min.	Max.		
8412	08412	1"	20 / 20	.78	1.12	.66	1.00	6/3, 6/4, 4-3, 4-4, 2-3, 2-4, 1-3	8/3, 8/4, 6/3
8413	08413	1-1/4"	20 / 20	1.000	1.46	.87	1.37	2-3, 2-4, 1-3, 1-4, 1/0-3, 1/0-4, 2/0-3, 2/0-4, 3/0-3	6/3, 6/4, 4/3, 4/4, 3/3, 3/4, 2/3, 2/4
8414	08414	1-1/2"	10 / 10	1.36	1.77	1.25	1.59	2/0-4, 3/0-3, 3/0-4, 4/0-3, 4/0-4, 250-3, 250-4	2/4, 1/3, 1/4, 1/0-3, 1/0-4, 2/0-3
8415	00583	2"	10 / 10	1.70	2.20	1.55	2.05	250-4, 300-4, 350-3, 350-4, 500-3	2/0-3, 2/0-4, 3/0-3, 3/0-4, 4/0-3, 4/0-4, 250-3
8416	08416	2-1/2"	5 / 5	2.10	2.70	1.95	2.40	500-3, 500-4, 600-3, 600-4, 750-3	4/0-4, 250-3, 250-4, 300-3, 300-4, 350-3, 350-4, 500-3
8417	08417	3"	5 / 5	2.50	3.30	2.35	3.00	600-4, 750-3, 750-4	350-4, 500-3, 500-4

Installation is quick and easy. There's no need to remove the strap.

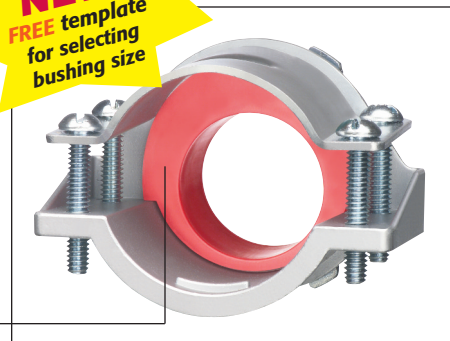


1 Simply loosen the screws and insert end stop bushing if necessary. Slip connector onto MC cable. Retighten screws on strap.



2 If you are using an end stop bushing, determine which one to use by sizing it to the cable bundle (not the metal jacket). **Incorrect size shown above.** The metal jacket should never go through the end stop.

NEW!
FREE template for selecting bushing size



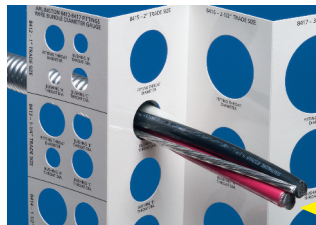
3 Insert the appropriate end stop bushing, making sure that the half-moon shape is positioned at the top of the connector.

Distributed by

REV 8400series 1008/30M

* Examples of 3- and 4-conductor cables. Cable dimensions vary dramatically between manufacturers. It is recommended that cable O.D. (outer diameter) be measured to ensure proper cable-to-fitting installation.

** Measure wire bundle diameter or use template for bushing selection



Visit www.aifittings.com or call 800-233-4717, ext 3080 for your FREE Template



Start installation by loosening these screws to lift strap

Position half-moon shape at the top of the connector

Arlington

1 Stauffer Industrial Park
Scranton, PA 18517
800/233.4717
Fax 570/562.0646
www.aifittings.com

8415
Patent
pending

