

15/25kV	600A Deadbreak Elbow Housing	w/ Test Point	K656BLR
---------	------------------------------	---------------	---------



## Features:

- Fully rated 15/25kV, 600 Amp Deadbreak Elbow
- Fully shielded, fully submersible molded rubber housing
- 100% peroxide-cured construction includes insulation and conductive EPDM materials
- Can be easily connected or disconnected using standard hand tools and equipment in a de-energized state
- Optional accessories allow visible external separation, by-pass, isolation, dead-ending, grounding, and testing as well as adding taps, surge arrestors, and fault current indicators
- Noncorrosive capacitive test point

## K656BLR Elbow Connector Housing (with Test Point)

### Applications:

The Elastimold® K656BLR deadbreak elbow housings are a component of the Elastimold® 600 A elbow product line. The K656BLR can be mated with the other Elastimold® products including the following:

- K651CP
- K650BIP
- K650RTP
- K650RTW
- K650S1
- K650J2, K650J3, or K650J4

### Ratings:

Meets ANSI/IEEE Standard 386, Latest Revision

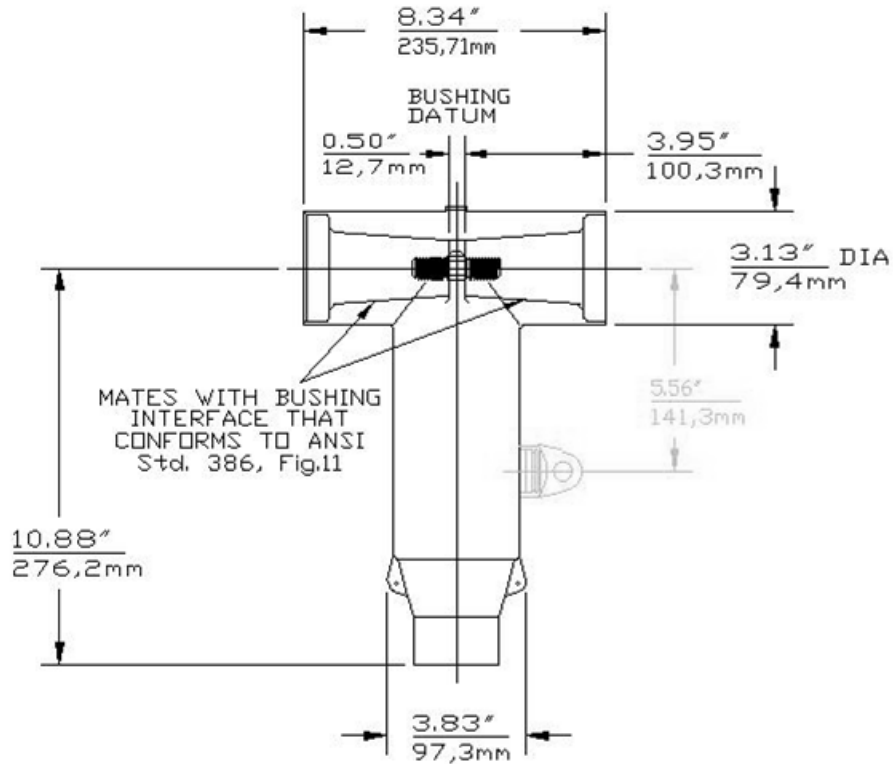
#### For 15kV Voltage Class:

8.3kV Max Phase-to-Ground – Operating Voltage  
 14.4kV Max Phase-to-Phase  
 95kV BIL – Impulse Withstand (1.2 x 50 microsecond wave)  
 34kV AC – One minute withstand  
 53kV DC – 15 minutes withstand  
 11kV AC – Corona Extinction @ 3pC sensitivity  
 600 Amp – Continuous  
 25kA Sym – 10 Cycles Momentary

#### For 28kV Voltage Class:

16.2kV Max Phase-to-Ground – Operating Voltage  
 28kV Max Phase-to-Phase  
 140kV BIL – Impulse Withstand (1.2 x 50 microsecond wave)  
 45kV AC – One minute withstand  
 84kV DC – 15 minutes withstand  
 21.5kV AC – Corona Extinction @ 3pC sensitivity  
 600 Amp – Continuous  
 25kA Sym – 10 Cycles Momentary

15/25kV	600A Deadbreak Elbow Housing	w/ Test Point	K656BLR
---------	------------------------------	---------------	---------



### Ordering Instruction:

To order 15/25kV 600A elbow housing with test point, please specify **K656BLR**.

#### Each kit contains the following:

- |   |                          |         |
|---|--------------------------|---------|
| 1 | Elbow connector housing  | K656BLR |
| 1 | Tube, lubricant          | 82-08   |
| 1 | Stud                     | 650SA   |
| 1 | Installation Instruction | IS-0249 |

#### Example:

The ordering number for a 15/25kV 600 Amp Elbow Connector Housing is K656BLR.