



Product Datasheet

ANDERSON FARGO

WTH607 -- Bus Support, Aluminum Weldment



Bus Support, Aluminum Weldment, Open, Rigid or Slip Fit, 6 IPS/EHIPS Tube to Insulator, 7 in B.C.

Product Specifications

Family Image



Bus Supports

Bus Supports



WTH Series

Tube to Insulator, Open Clamp
Slip-Fit or Rigid Aluminum
Weldment Bus Supports

PDF Catalog Page

[Click HERE to view the web page.](#)

Bolt Circle Diameter

7

Mounting Hardware Material

Galvanized Steel

Dimension C

5.38 in (136.52 mm)

Dimension J

.75 in (19.05 mm)

Dimension K

.81 in X 1.0 in

Dimension L

11.75 in (298.42 mm)

Dimension W

9.13 in (231.78 mm)

Material Type

Non-Standard

UPC Code

09635935344

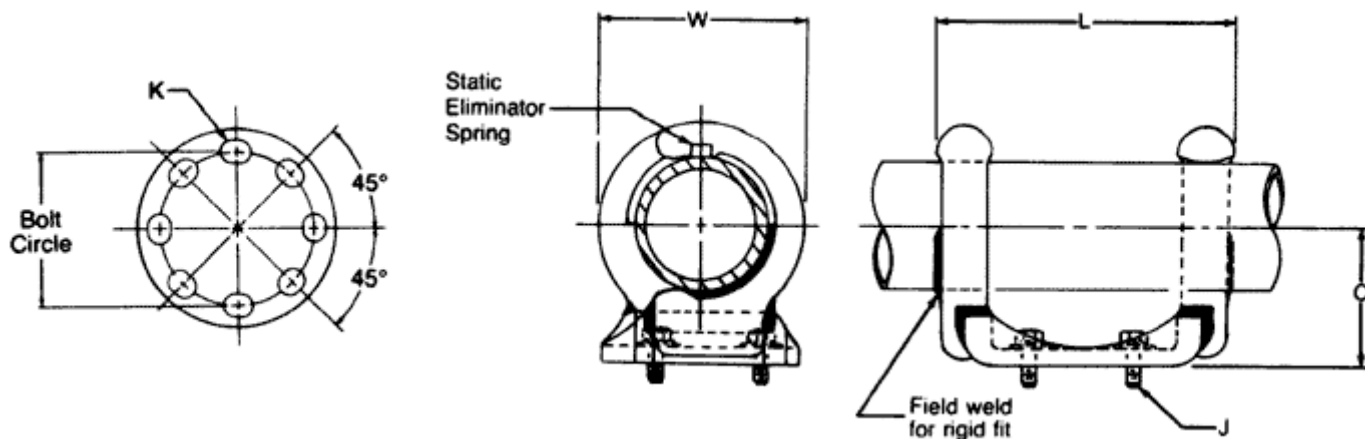
Standard Package

1

Standard Package Unit	Each
Min Order Qty	1
Weight / Ea.	6.762 lbs

Compressed Product Number

WTH607



[Catalog Home](#)



[Warranty Info](#) | [Trademarks](#) | [Terms of Use](#)

All contents Copyright © 2007 Hubbell Power Systems, Inc. All rights reserved.

NOTE: Because Hubbell has a policy of continuous product improvement, we reserve the right to change design and specifications without notice.