



[Catalog Home](#)

Product Datasheet


ANDERSON FARGO

JTS11 -- Compression Terminal



Compression Terminal, Uni-Grip, Jumper Terminal, Straight, Conductor Range, Range 0.951-1.045

Product Specifications

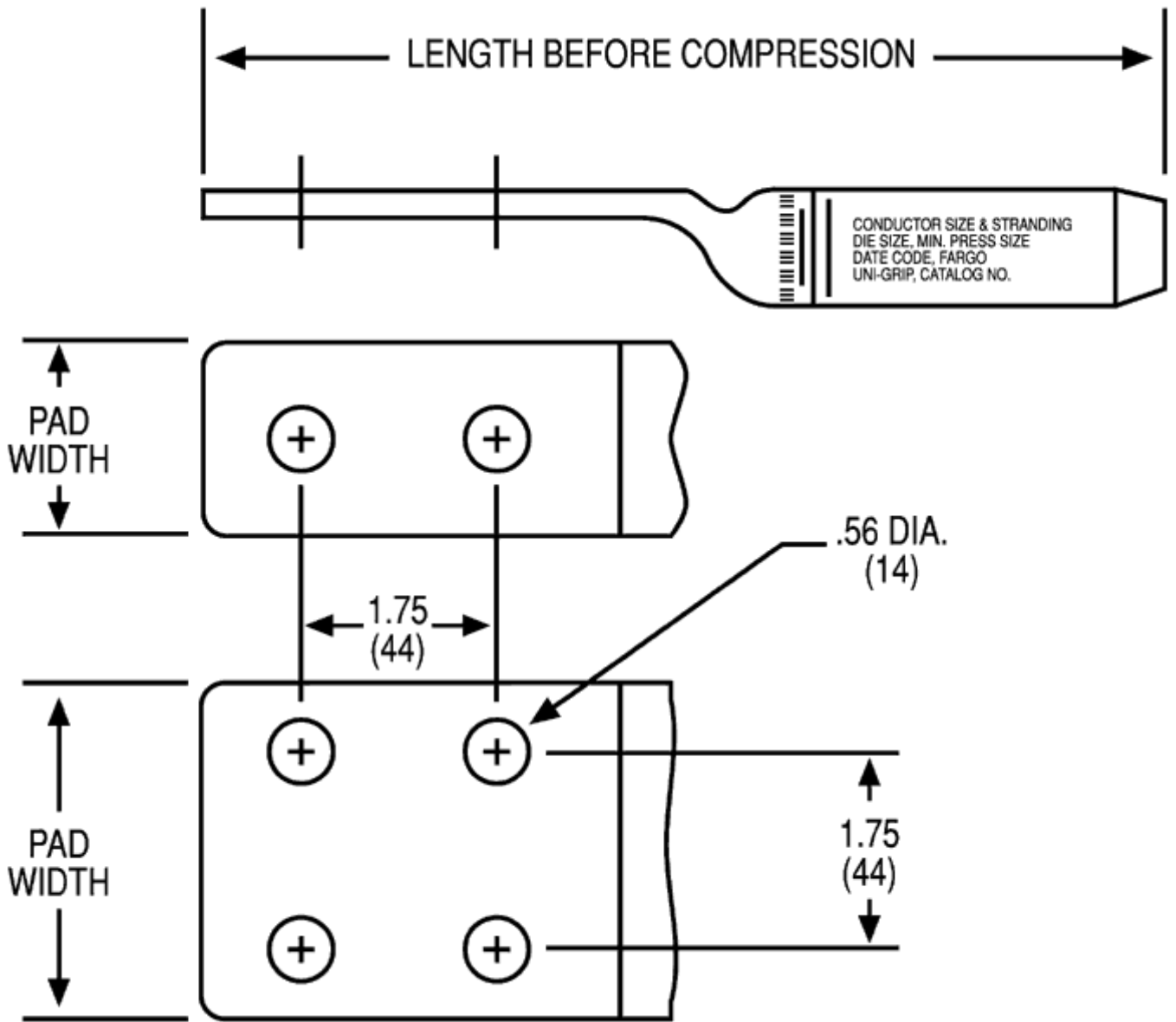
| | |
|---|--|
| <p>Series</p> |  <p>JTS Series</p> <p>Compression Terminal Straight, Partial Tension AAC, AAAC, ACAR & ACSR Conductor</p> |
| <p>PDF Catalog Page</p> | <p>Click HERE to view the web page.</p> |
| <p>Conductor Range (in)</p> | <p>0.951-1.045</p> |
| <p>Length before Compression</p> | <p>11.4 in (290 mm)</p> |
| <p>Pad Width</p> | <p>2.2 in (56 mm)</p> |
| <p>Pad Holes</p> | <p>2</p> |
| <p>Compression Method</p> | <p>Uni-Grip (single die)</p> |
| <p>Material & Connection Method</p> | <p>Aluminum Compression</p> |
| <p>Die Size</p> | <p>10CD</p> |
| <p>Minimum Press (Tons)</p> | <p>60</p> |
| <p>Voltage Application</p> | <p>Std</p> |
| <p>Inhibitor Loaded</p> | <p>Yes</p> |
| <p>Conductor Minimum - Maximum Range</p> | <p>AAC 700 kcmil (61) thru AAC 800 kcmil (61) ACSR 556.5 kcmil (30/7) thru ACSR 715.5 kcmil (24/7)</p> |
| <p>Material Type</p> | <p>Non-Standard</p> |

| | |
|-----------------------|----------|
| Standard Package | 1 |
| Standard Package Unit | Each |
| MOQ | 1 |
| Weight / Ea. | 1.96 lbs |

Notes
 To specify stainless steel hardware add "SS" suffix to catalog number.

Features
 Jumper terminals are prefilled with inhibitor. Taper and pad are coated with protective strippable plastic and bore is capped. Tongue holes have NEMA spacing. Standard hardware includes one Aluminum 1/2-13 bolt, nut and two aluminum washers per .56 diameter hole.

Compressed Product Number
 JTS11





[Warranty Info](#) | [Trademarks](#) | [Terms of Use](#)

All contents Copyright © 2007 Hubbell Power Systems, Inc. All rights reserved.

NOTE: Because Hubbell has a policy of continuous product improvement, we reserve the right to change design and specifications without notice.