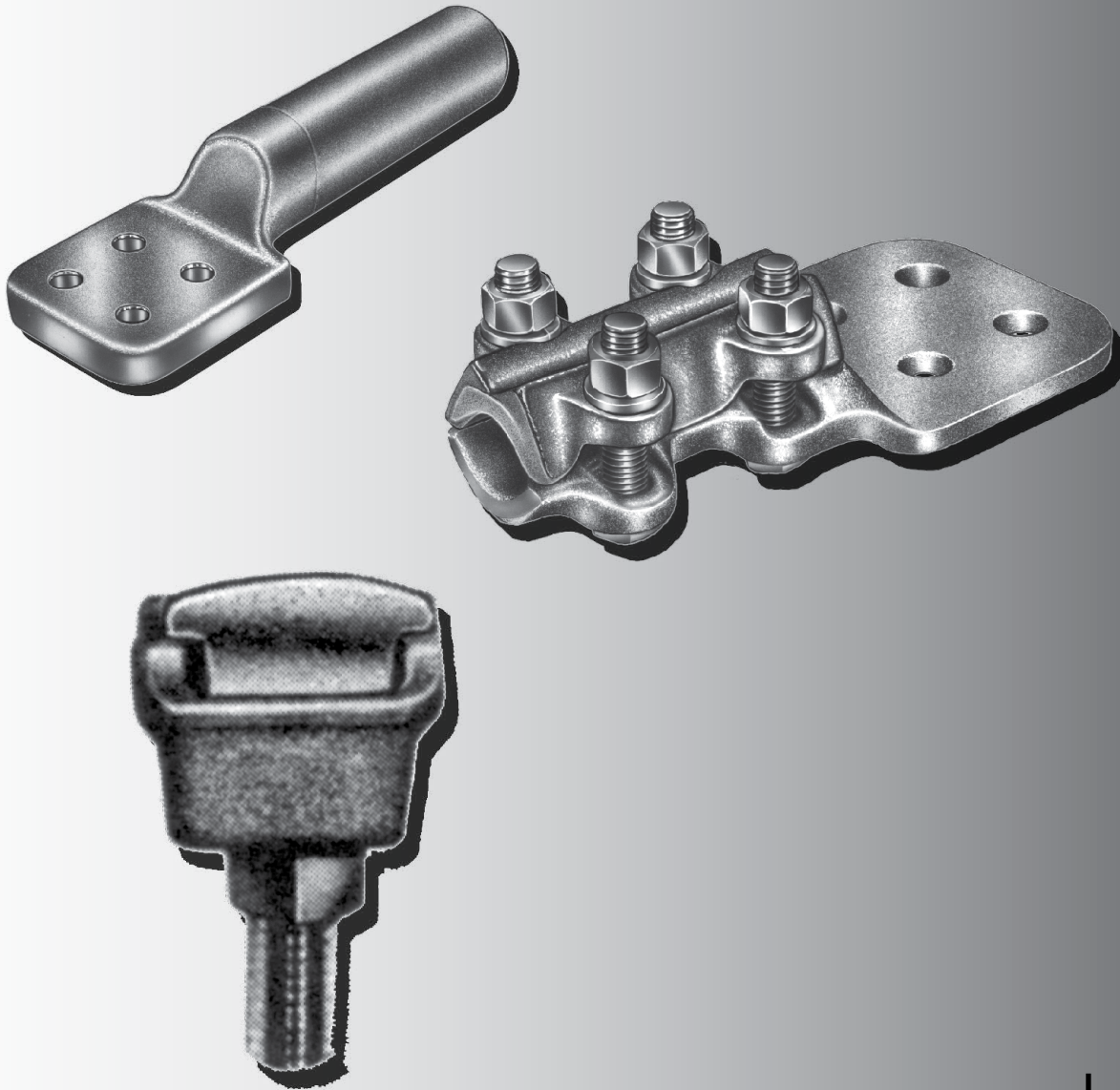




# SUBSTATION CONNECTORS



# SECTIONS SA

- TERMINALS***
- ALUMINUM BOLTED***
- ALUMINUM COMPRESSION***
- ALUMINUM WELDMENT***
- BRONZE BOLTED***
- COPPER COMPRESSION***



# TERMINALS

## **BOLTED/ALUMINUM**

A2CF .....	STRAIGHT BOLT LUG, TWO CABLES TO FLAT .....	SA-2
ACF .....	STRAIGHT BOLT/CABLE TO FLAT .....	SA-1
AFTF .....	EXPANSION TERMINAL, TUBE TO FLAT .....	SA-5
ASTF .....	STRAIGHT BOLT TERMINAL, TUBE TO FLAT .....	SA-3

## **BOLTED/BRONZE**

FSTFLG .....	EXPANSION TERMINAL, TUBE TO FLAT .....	SA-19
SPTP .....	STRAIGHT BOLT TERMINAL, CABLE OR TUBE TO FLAT .....	SA-9
STF4 .....	STRAIGHT BOLT TERMINAL, TUBE TO FLAT .....	SA-18
SWH .....	STRAIGHT BOLT TERMINAL, CABLE TO FLAT .....	SA-11
SWHD .....	STRAIGHT BOLT TERMINAL, TWO CABLES TO FLAT .....	SA-12
SWL .....	STRAIGHT BOLT TERMINAL, CABLE TO FLAT .....	SA-10
TLD .....	TAP LUG TERMINAL, ONE OR TWO CABLES TO FLAT .....	SA-8
TLS .....	ONE CABLE TO FLAT .....	SA-7
TS .....	MULTI-PURPOSE CONNECTOR, CABLE, TUBE, FLAT .....	SA-20
V .....	ADAPTER, TRANSFORMER TERMINAL TO MULTIPLE CABLE .....	SA-21
VL2 .....	DOUBLE EYEBOLT TERMINAL, TWO CABLES TO FLAT .....	SA-15
VL3D .....	DOUBLE EYEBOLT TERMINAL, THREE CABLES TO FLAT .....	SA-16
VL44D .....	DOUBLE EYEBOLT TERMINAL, FOUR CABLES TO FLAT .....	SA-17
VL4D .....	DOUBLE EYEBOLT TERMINAL, ONE OR TWO CABLES TO FLAT .....	SA-14
VL4S .....	SINGLE EYEBOLT TERMINAL, CABLE TO FLAT .....	SA-13

## **WELDMENT/ALUMINUM**

W2CF .....	TWO CABLES TO FLAT .....	SA-25
WCF .....	CABLE TO FLAT .....	SA-23
WFTF .....	EXPANSION TERMINAL, TUBE TO FLAT .....	SA-27
WSTF .....	TUBE TO FLAT .....	SA-26

## **COMPRESSION/ALUMINUM**

ACF .....	CABLE TO FLAT .....	SA-28
CCLS .....	SHORT BARREL, CABLE TO FLAT .....	SA-30

## **COPPER**

BCL .....	CABLE TO FLAT .....	SA-33
-----------	---------------------	-------



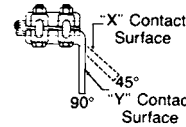
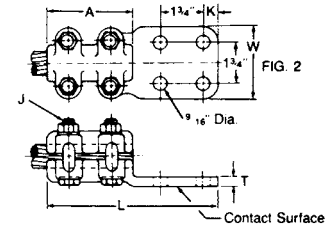
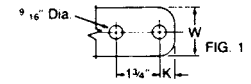
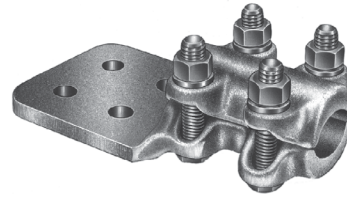
# TERMINALS BOLTED ALUMINUM STRAIGHT BOLT/CABLE TO FLAT

ALUMINUM  
ACF

Aluminum alloy terminal for connecting aluminum cable to aluminum or copper flat pad combinations. Side formed tongues are standard to allow clearance for flush mounting. Clamping bolts have hex-stops for one-wrench installation. Tongue holes have NEMA spacing. Contact sealant is recommended.

**Material:** Castings—356-T6 aluminum alloy  
Clamping Hardware—aluminum alloy

45° & 90° Angle connectors may be obtained by specifying desired angle. **Example:** ACF11B2Y90



## Product Data & Conductor Size

CATALOG NUMBER	FIG. NO.	CONDUCTOR RANGE			DIMENSIONS INCHES (MM)						APPROX. WT. EACH LBS. (KG)
		AAC	ACSR	CABLE DIA. INCHES (MM)	L	A	K	T	W	J	
*ACF6B	1	#4-250 MCM	#4-4/0 Str.	.232-.575 (5.89-14.6)	6 (152.4)	3 (76.2)	5/8 (15.88)	5/16 (7.94)	1-1/2 (38.1)	1/2 (12.7)	1.0 (.45)
*ACF6B2	1				6 (152.4)	3 (76.2)	5/8 (15.88)	5/16 (7.94)	2 (50.8)	1/2 (12.7)	1.0 (.45)
*ACF6C	2				6 (152.4)	3 (76.2)	5/8 (15.88)	5/16 (7.94)	3 (76.2)	1/2 (12.7)	1.1 (.50)
ACF7B	1	250-400 MCM	4/0-336 MCM	.563-.744 (14.3-18.9)	6 (152.4)	3 (76.2)	5/8 (15.88)	5/16 (7.94)	1-1/2 (38.1)	1/2 (12.7)	1.0 (.45)
ACF7B2	1				6 (152.4)	3 (76.2)	5/8 (15.88)	5/16 (7.94)	2 (50.8)	1/2 (12.7)	1.0 (.45)
ACF7C	2				6 (152.4)	3 (76.2)	5/8 (15.88)	5/16 (7.94)	3 (76.2)	1/2 (12.7)	1.1 (.50)
ACF9B2	1	350-600 MCM	336-477 MCM	.681-.893 (17.3-22.68)	6-1/4 (158.75)	3-1/4 (82.55)	5/8 (15.88)	3/8 (9.52)	2 (50.8)	1/2 (12.7)	1.2 (.54)
ACF9C	2				6-1/4 (158.75)	3-1/4 (82.55)	5/8 (15.88)	3/8 (9.52)	3 (76.2)	1/2 (12.7)	1.4 (.64)
ACF11B2	1	600-900 MCM	556.5-795 MCM	.870-1.108 (22.1-28.14)	6-1/2 (165.1)	3-1/2 (88.9)	5/8 (15.88)	3/8 (9.52)	2 (50.8)	5/8 (15.88)	1.4 (.64)
ACF11C	2				6-1/2 (165.1)	3-1/2 (88.9)	5/8 (15.88)	3/8 (9.52)	3 (76.2)	1/2 (12.7)	1.5 (.68)
ACF13B2	1	900-1250 MCM	715-1113 MCM	1.081-1.293 (27.46-32.84)	6-7/8 (174.6)	3-3/4 (95.25)	5/8 (15.88)	3/8 (9.52)	2 (50.8)	1/2 (12.7)	1.6 (.72)
ACF13C	2				7-1/8 (181.0)	3-3/4 (95.25)	5/8 (15.88)	3/8 (9.52)	3 (76.2)	1/2 (12.7)	1.7 (.77)
ACF13D	2				7-3/4 (196.85)	3-3/4 (95.25)	1-1/8 (28.58)	3/8 (9.52)	4 (101.6)	1/2 (12.7)	2.1 (.95)
ACF15C	2	1250-1600 MCM	1113-1272 MCM	1.289-1.459 (32.74-37.06)	7-1/4 (184.15)	4-1/4 (107.95)	5/8 (15.88)	5/8 (15.88)	3 (76.2)	5/8 (15.88)	2.8 (1.27)
ACF15D	2				8-1/4 (209.55)	4-1/4 (107.95)	1-1/8 (28.58)	1/2 (12.7)	4 (101.6)	5/8 (15.88)	3.1 (1.4)
ACF16C	2	1500-2000 MCM	1272-1780 MCM	1.382-1.632 (35.10-41.45)	7-1/2 (190.5)	4-1/2 (114.3)	5/8 (15.88)	7/16 (11.11)	3 (76.2)	5/8 (15.88)	3.0 (1.36)
ACF16D	2				8-1/2 (215.9)	4-1/2 (114.3)	1-1/8 (28.58)	7/16 (11.11)	4 (101.6)	5/8 (15.88)	3.3 (1.50)
†ACF18D	2	2000-2500 MCM	2034-2312 MCM	1.632-1.824 (41.45-46.33)	10-3/4 (273.05)	6-3/4 (171.45)	1-1/8 (28.58)	5/8 (15.88)	4 (101.6)	5/8 (15.88)	5.1 (2.31)

\* Furnished with reversible cable caps.

† Furnished with six clamping bolts.

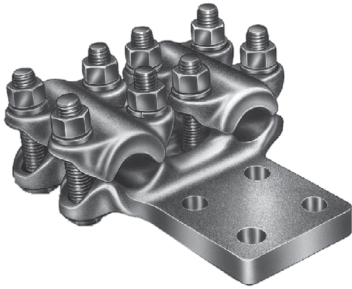


# TERMINALS

## BOLTED ALUMINUM STRAIGHT BOLT LUG, TWO CABLES TO FLAT

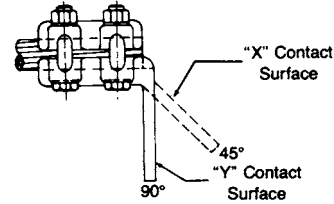
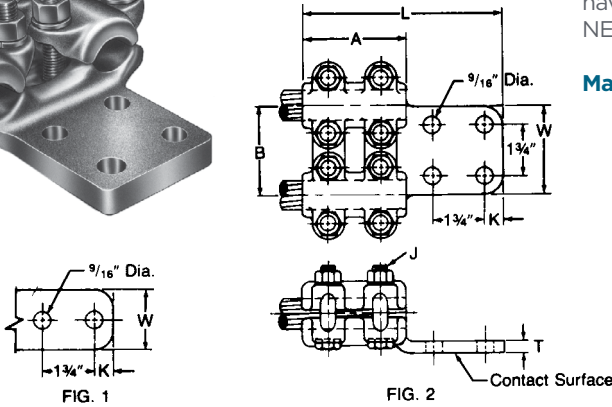
ALUMINUM  
A2CF

SA  
2



Aluminum alloy terminal for connecting two aluminum cables to aluminum or copper flat pad combinations. Side formed tongues are standard to allow clearance for flush mounting. Clamping bolts have hex-stops for one-wrench installation. Tongue holes have NEMA spacing. Contact sealant is recommended.

**Material:** Castings—356-T6 aluminum alloy  
**Clamping Hardware**—aluminum alloy



### Product Data & Conductor Size

CATALOG NUMBER	FIG. NO.	CONDUCTOR RANGE			DIMENSIONS INCHES (MM)							APPROX. WT. EACH LBS. (KG)
		AAC	ACSR	CABLE DIA. INCHES (MM)	L	A	K	T	W	B	J	
*A2CF6B2	1	#4-250 MCM	#4-4/0	.232-.575 (5.89-14.6)	6-1/8 (155.58)	3 (76.2)	5/8 (15.88)	15/32 (11.91)	2 (50.8)	2-9/16 (65.09)	1/2 (12.7)	1.7 (.8)
*A2CF6C	2				6-1/8 (155.58)	3 (76.2)	5/8 (15.88)	15/32 (11.91)	3 (76.2)	2-9/16 (65.09)	1/2 (12.7)	2.0 (.9)
A2CF7B2	1	250-400 MCM	4/0-336	.563-.744 (14.3-18.9)	6-1/8 (155.58)	3 (76.2)	5/8 (15.88)	1/2 (12.7)	2 (50.8)	2-9/16 (65.09)	1/2 (12.7)	2.1 (1.0)
A2CF7C	2				6-1/4 (158.75)	3 (76.2)	5/8 (15.88)	9/16 (14.29)	3 (76.2)	2-13/16 (71.44)	1/2 (12.7)	2.3 (1.04)
A2CF9B2	1	350-600 MCM	336-477	.681-.893 (17.3-22.68)	6-3/8 (161.92)	3-1/4 (82.55)	5/8 (15.88)	9/16 (14.29)	2 (50.8)	2-13/16 (71.44)	1/2 (12.7)	2.4 (1.1)
A2CF9C	2				6-3/8 (161.92)	3-1/4 (82.55)	5/8 (15.88)	9/16 (14.29)	3 (76.2)	2-13/16 (71.44)	1/2 (12.7)	2.6 (1.2)
A2CF11B2	1	600-900 MCM	556-795	.870-1.108 (22.1-28.14)	6-5/8 (168.28)	3-1/2 (88.9)	5/8 (15.88)	5/8 (15.88)	2 (50.8)	3-1/16 (77.79)	1/2 (12.7)	2.6 (1.2)
A2CF11C	2				6-3/4 (171.45)	3-1/2 (88.9)	5/8 (15.88)	5/8 (15.88)	3 (76.2)	3-1/16 (77.79)	1/2 (12.7)	2.9 (1.3)
A2CF11D	2				7-3/4 (196.85)	3-1/2 (88.9)	1-1/8 (28.58)	5/8 (15.88)	4 (101.6)	3-1/16 (77.79)	1/2 (12.7)	3.2 (1.45)
A2CF13C	2	900-1250 MCM	715-1113	1.081-1.293 (27.46-32.84)	7 (177.8)	3-3/4 (95.25)	5/8 (15.88)	5/8 (15.88)	3 (76.2)	3-5/16 (84.14)	1/2 (12.7)	3.3 (1.5)
A2CF13D	2				8 (203.2)	3-3/4 (95.25)	1-1/8 (28.58)	5/8 (15.88)	4 (101.6)	3-5/16 (84.14)	1/2 (12.7)	3.6 (1.7)
A2CF15C	2	1250-1600 MCM	1113-1272	1.289-1.459 (32.74-37.06)	7-1/2 (190.5)	4-1/4 (107.95)	1-1/8 (28.58)	21/32 (16.67)	3 (76.2)	3-13/16 (96.84)	5/8 (15.88)	5.2 (2.4)
A2CF15D	2				8-5/8 (219.08)	4-1/4 (107.95)	1-1/8 (28.58)	5/8 (15.88)	4 (101.6)	3-13/16 (96.84)	5/8 (15.88)	5.8 (2.6)
A2CF16C	2	1500-2000 MCM	1272-1780	1.382-1.632 (35.1-41.45)	7-5/8 (193.68)	4-1/2 (114.3)	1-1/8 (28.58)	21/32 (16.67)	3 (76.2)	4 1/16 (103.19)	5/8 (15.88)	6.0 (2.7)
A2CF16D	2				8-7/8 (225.42)	4-1/2 (114.3)	1-1/8 (28.58)	7/8 (22.22)	4 (101.6)	4 1/16 (103.19)	5/8 (15.88)	6.9 (3.1)
A2CF18D	2	2000-2500 MCM	2034-2312	1.632-1.824 (41.45-46.33)	8-3/4 (222.25)	4-3/8 (111.12)	1-1/8 (28.58)	1 (25.4)	4 (101.6)	4 1/16 (103.19)	5/8 (15.88)	7.9 (4.1)

\*Furnished with reversible cable caps.

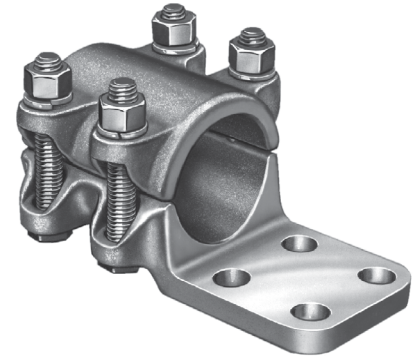


# TERMINALS BOLTED ALUMINUM STRAIGHT BOLT TERMINAL, TUBE TO FLAT

ALUMINUM  
ASTF

Aluminum alloy terminal for connecting aluminum tubing to aluminum or copper flat pad combinations. Side formed tongues are standard to allow clearance for flush mounting. Clamping bolts have hex-stops for one-wrench installation. Tongue holes have NEMA spacing. Contact sealant is recommended.

**Material:** Castings—356-T6 aluminum alloy  
Hardware—aluminum alloy

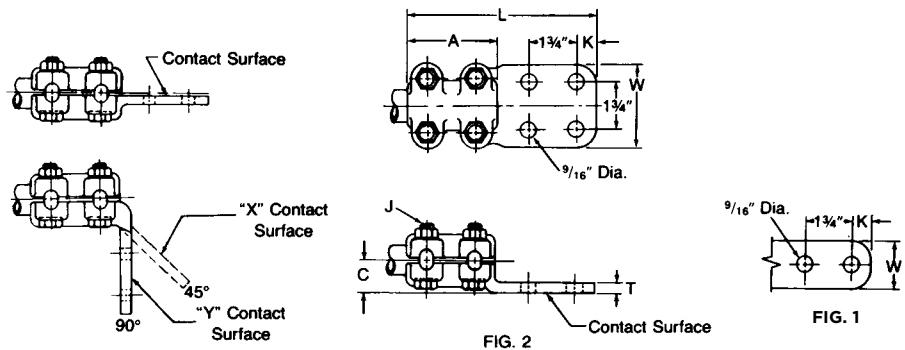


Center formed pads may be obtained by adding suffix-CF to the catalog number.

**Example:** ASTF20B2CF

45° & 90° angle connectors may be obtained by specifying desired angle.

**Example:** ASTF20B2Y90



## Product Data & Conductor Size

CATALOG NUMBER	FIG. NO.	CONDUCTOR SIZE TUBING IPS/EHIPS	DIMENSIONS INCHES (MM)							APPROX. WT. EACH LBS. (KG)
			L	A	C	K	T	W	J	
ASTF06B2	1	3/4	5-7/8 (149.2)	2-1/2 (63.5)	1-3/8 (34.92)	5/8 (15.88)	1/2 (12.7)	2 (50.8)	1/2 (12.7)	1.2 (.5)
ASTF06C	2	3/4	5-3/4 (146.05)	2-1/2 (63.5)	1-3/8 (34.92)	5/8 (15.88)	3/8 (9.52)	3 (76.2)	1/2 (12.7)	1.2 (.5)
ASTF10B2	1	1	6-1/8 (155.6)	2-3/4 (69.85)	1-3/8 (34.92)	5/8 (15.88)	1/2 (12.7)	2 (50.8)	1/2 (12.7)	1.5 (.7)
ASTF10C	2	1	6 (152.4)	2-3/4 (69.85)	1-3/8 (34.92)	5/8 (15.88)	3/8 (9.52)	3 (76.2)	1/2 (12.7)	1.5 (.7)
ASTF12B2	1	1-1/4	6-1/4 (158.75)	3 (76.2)	1-5/8 (41.28)	5/8 (15.88)	3/8 (9.52)	2 (50.8)	1/2 (12.7)	1.6 (.7)
ASTF12C	2	1-1/4	6-1/4 (158.75)	3 (76.2)	1-5/8 (41.28)	5/8 (15.88)	3/8 (9.52)	3 (76.2)	1/2 (12.7)	1.6 (.7)
ASTF14B2	1	1-1/2	6-1/2 (165.1)	3-1/4 (82.55)	1-1/2 (38.1)	5/8 (15.88)	7/16 (11.1)	2 (50.8)	1/2 (12.7)	1.7 (.8)
ASTF14C	2	1-1/2	6-1/2 (165.1)	3-1/4 (82.55)	1-1/2 (38.1)	5/8 (15.88)	1/2 (12.7)	3 (76.2)	1/2 (12.7)	1.9 (.9)
ASTF20B2	1	2	6-7/8 (174.6)	3-1/2 (88.9)	1-3/4 (44.45)	5/8 (15.88)	7/16 (11.1)	2 (50.8)	1/2 (12.7)	2.0 (.9)
ASTF20C	2	2	6-7/8 (174.6)	3-1/2 (88.9)	1-3/4 (44.45)	5/8 (15.88)	7/16 (11.1)	3 (76.2)	1/2 (12.7)	2.2 (1.0)
ASTF20D	2	2	7-3/4 (196.85)	3-1/2 (88.9)	1-3/4 (44.45)	1-1/8 (28.58)	3/8 (9.52)	4 (101.6)	1/2 (12.7)	2.4 (1.1)

Continued on next page.



# TERMINALS BOLTED ALUMINUM STRAIGHT BOLT TERMINAL, TUBE TO FLAT (CONTINUED)

SA  
4

## Product Data & Conductor Size

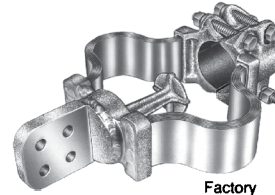
CATALOG NUMBER	FIG. NO.	CONDUCTOR SIZE TUBING IPS/EHIPS	DIMENSIONS INCHES (MM)							APPROX. WT. EACH LBS. (KG)
			L	A	C	K	T	W	J	
ASTF24B2	1	2-1/2	7-1/8 (181.0)	3-3/4 (95.25)	2-1/4 (57.15)	5/8 (15.88)	9/16 (14.29)	2 (50.8)	5/8 (15.88)	3.0 (1.4)
ASTF24C	2	2-1/2	7-1/4 (184.15)	3-3/4 (95.25)	2-1/4 (57.15)	5/8 (15.88)	9/16 (14.29)	3 (76.2)	5/8 (15.88)	3.3 (1.5)
ASTF24D	2	2-1/2	8 (203.2)	3-3/4 (95.25)	2-1/4 (57.15)	1-1/8 (28.58)	9/16 (14.29)	4 (101.6)	5/8 (15.88)	3.4 (1.5)
ASTF30C	2	3	7-9/16 (192.1)	4 (101.6)	2-3/8 (60.33)	5/8 (15.88)	5/8 (15.88)	3 (76.2)	5/8 (15.88)	4.3 (1.9)
ASTF30D	2	3	8-9/16 (217.5)	4 (101.6)	2-3/8 (60.33)	1-1/8 (28.58)	5/8 (15.88)	4 (101.6)	5/8 (15.88)	4.7 (2.1)
ASTF34C	2	3-1/2	7-3/4 (196.85)	4-1/4 (107.95)	3-1/4 (82.55)	5/8 (15.88)	3/4 (19.05)	3 (76.2)	5/8 (15.88)	4.2 (1.9)
ASTF34D	2	3-1/2	8-5/8 (219.1)	4-1/4 (107.95)	3-1/4 (82.55)	1-1/8 (28.58)	5/8 (15.88)	4 (101.6)	5/8 (15.88)	4.5 (2.1)
ASTF40C	2	4	7-3/4 (196.85)	4-1/4 (107.95)	3-1/2 (88.9)	5/8 (15.88)	3/4 (19.05)	3 (76.2)	5/8 (15.88)	4.9 (2.2)
ASTF40D	2	4	8-1/2 (215.9)	4-1/4 (107.95)	3-1/2 (88.9)	1-1/8 (28.58)	3/4 (19.05)	4 (101.6)	5/8 (15.88)	5.6 (2.5)
ASTF50D	2	5	10-1/4 (260.35)	5 (127.0)	3-9/10 (98.42)	1-1/8 (28.58)	1 (25.4)	4 (101.6)	5/8 (15.88)	8.4 (3.8)
ASTF60D	2	6	10-3/4 (273.05)	6 (152.4)	4-3/8 (111.12)	1-1/8 (28.58)	1 (25.4)	4 (101.6)	5/8 (15.88)	10.1 (4.6)



# TERMINALS BOLTED ALUMINUM EXPANSION TERMINAL, TUBE TO FLAT

ALUMINUM  
AFTF

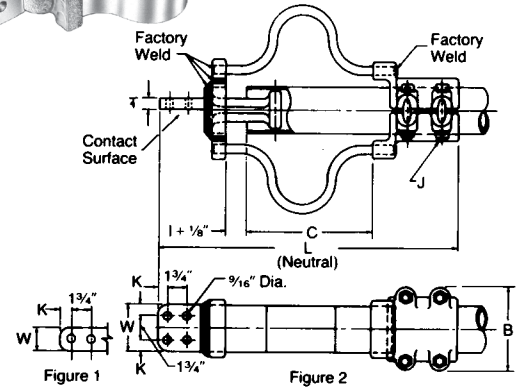
Aluminum laminated bolted expansion terminal for aluminum tubing to aluminum or copper flat pad. Designed for +/-2 inch expansion on tubing larger than 2" I.P.S. Guides and laminations are proper size for use with standard schedule 40 IPS tubing. Clamping bolts have hex-stops for one-wrench installation. Tongue holes have NEMA spacing. Contact sealant is recommended.



**Material:** Castings—356-T6 aluminum alloy  
Factory formed laminated shunts—aluminum  
Clamping hardware—aluminum alloy

**Notes:** (1)To specify extra heavy (schedule 80, EHIPS) tubing, add "H" to catalog number. **Example:** AFTFH40D  
(2)To obtain pad rotated 90 degrees, add "V" to catalog number. **Example:** AFTFV30D

Refer to chart DC-9295 on page SA-6 for installation instructions.



## Product Data & Conductor Size

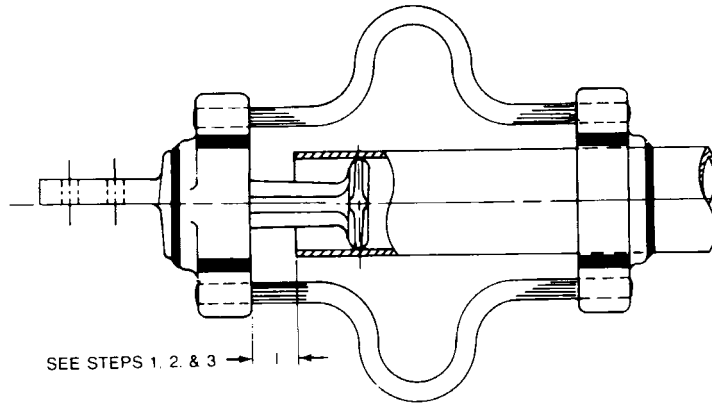
CATALOG NUMBER	FIG. NO.	CONDUCTOR SIZE TUBING IPS ∅	DIMENSIONS INCHES (MM)							APPROX. WT. EACH LBS. (KG)
			L	C	K	T	W	B	J	
AFTF10B2	1	1	15 (38.10)	4-3/4 (120.65)	5/8 (15.88)	3/4 (19.05)	2 (50.8)	3-1/4 (82.55)	1/2 (12.7)	5.1 (2.3)
AFTF10C	2	1	15-1/4 (387.35)	4-3/4 (120.65)	5/8 (15.88)	5/8 (15.88)	3 (76.2)	3-1/4 (82.55)	1/2 (12.7)	5.1 (2.3)
AFTF12B2	1	1-1/4	15-3/4 (400.05)	4-5/8 (117.48)	5/8 (15.88)	3/8 (9.52)	2 (50.8)	3-5/8 (92.08)	1/2 (12.7)	5.2 (2.36)
AFTF12C	2	1-1/4	15-3/4 (400.05)	4-5/8 (117.48)	5/8 (15.88)	5/8 (15.88)	3 (76.2)	3-5/8 (92.08)	1/2 (12.7)	5.3 (2.4)
AFTF14B2	1	1-1/2	15-7/8 (403.22)	4-5/8 (117.48)	5/8 (15.88)	1/2 (12.7)	2 (50.8)	3-3/16 (98.64)	1/2 (12.7)	5.4 (2.45)
AFTF14C	2	1-1/2	15-7/8 (403.22)	4-5/8 (117.48)	5/8 (15.88)	1/2 (12.7)	3 (76.2)	3-13/16 (96.84)	1/2 (12.7)	5.6 (2.54)
AFTF20B2	1	2	15-15/16 (404.81)	4-1/2 (114.3)	5/8 (15.88)	1/2 (12.7)	2 (50.8)	4-5/16 (109.54)	1/2 (12.7)	6.1 (2.77)
AFTF20C	2	2	15-15/16 (404.81)	4-1/2 (114.3)	5/8 (15.88)	1/2 (12.7)	3 (76.2)	4-5/16 (109.54)	1/2 (12.7)	6.3 (2.86)
AFTF24B2	1	2-1/2	15-5/8 (396.87)	4-5/8 (117.48)	5/8 (15.88)	5/8 (15.88)	2 (50.8)	5-3/16 (131.76)	5/8 (15.88)	9.2 (4.17)
AFTF24C	2	2-1/2	15-5/8 (396.87)	4-11/16 (119.06)	5/8 (15.88)	5/8 (15.88)	3 (76.2)	5-3/16 (131.76)	5/8 (15.88)	9.4 (4.26)
AFTF24D	2	2-1/2	16-5/8 (422.28)	4-5/8 (117.48)	1-1/8 (28.58)	1/2 (12.7)	4 (101.60)	5-3/16 (131.76)	5/8 (15.88)	9.6 (4.35)
AFTF30D	2	3	17-13/16 (452.44)	4-7/8 (123.82)	1-1/8 (28.58)	5/8 (15.88)	4 (101.60)	5-13/16 (147.64)	5/8 (15.88)	11.4 (5.17)
AFTF34D	2	3-1/2	17-3/4 (450.85)	4-5/8 (117.48)	1-1/8 (28.58)	3/4 (19.05)	4 (101.60)	6-5/16 (160.34)	5/8 (15.88)	12.3 (5.58)
AFTF40D	2	4	18 (457.2)	4-7/8 (123.82)	1-1/8 (28.58)	7/8 (22.22)	4 (101.60)	6-15/16 (176.21)	5/8 (15.88)	14.4 (6.53)
AFTF50D	2	5	19-3/8 (492.12)	5-1/8 (130.18)	1-1/8 (28.58)	1 (25.4)	4 (101.60)	7-15/16 (201.61)	5/8 (15.88)	20.2 (9.16)
AFTF60D	2	6	20-5/8 (523.88)	5-3/8 (130.18)	1-1/8 (28.58)	1 (25.4)	4 (101.60)	9-1/16 (230.19)	5/8 (15.88)	24.8 (11.25)

∅ 140 ft. maximum total bus length.



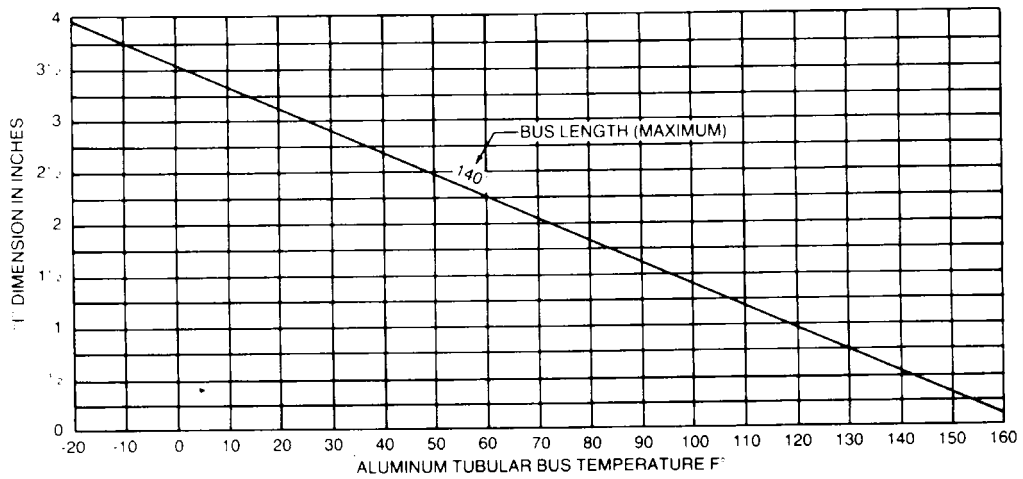
# INSTALLATION CHART DC-9295

SA  
6



TYPICAL FLEXIBLE TERMINAL

## TYPES AFTF AND WFTF



### HOW TO USE CHART

1. Determine tubular bus temperature and locate on temperature scale.
2. Using 140 ft. bus length, locate the intersection of the bus length and the temperature reading.
3. Read "I" dimensions setting from this intersection point.
4. Total tubular bus length must not exceed 140 feet.





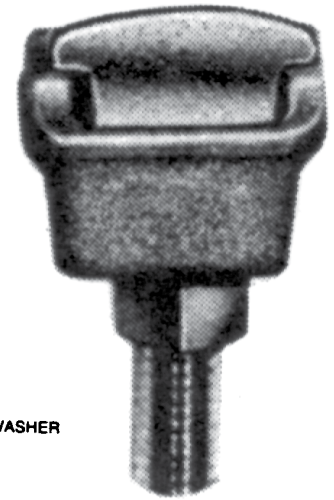
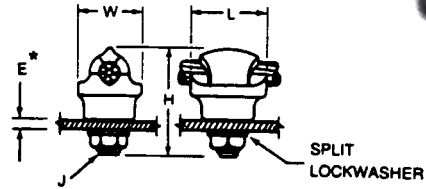
# TERMINALS BRONZE BOLTED TAP LUG TERMINAL ONE CABLE TO FLAT

BRONZE
TLS

Bronze alloy terminal for connecting a copper cable directly to a flat copper pad. Recommended for power or grounding applications.

**Material:** **Castings**—Bronze alloy  
**Eyebolt**—High strength bronze  
**Hardware**—Stainless steel

**Note:** For copper cable connection to aluminum bus bar, specify tin-plated terminal with Belleville spring washer by adding suffix TPBW to catalog number. **Example:** TLS62LTPBW



SA  
7

## Product Data & Conductor Size

CATALOG NUMBER	COPPER CONDUCTOR RANGE		DIMENSIONS INCHES (MM)					APPROX. WT. EACH LBS. (KG)
	CABLE	CABLE DIAMETER INCHES (MM)	L	H	W	J	E*	
TLS22	#10 Sol.-#1 Str.	.102-.332 (2.59-8.43)	1-1/8 (28.58)	1-15/16 (49.21)	7/8 (22.22)	3/8 (9.52)	1/4 (6.35)	.20 (.10)
TLS22L	#10 Sol.-#1 Str.	.102-.332 (2.59-8.43)	1-1/8 (28.58)	2-7/16 (61.91)	7/8 (22.22)	3/8 (9.52)	3/4 (19.05)	.22 (.11)
TLS32	#8 Sol.-2/0 Str.	.128-.419 (3.25-10.64)	1-1/2 (38.1)	2-3/8 (60.32)	1-1/8 (28.58)	1/2 (12.7)	1/2 (6.35)	.30 (.14)
TLS32L	#8 Sol.-2/0 Str.	.128-.419 (3.25-10.64)	1-1/2 (38.1)	2-7/8 (73.02)	1-1/16 (26.99)	1/2 (12.7)	3/4 (19.05)	.34 (.15)
TLS35	#8 Sol.-2/0 Str.	.128-.419 (3.25-10.64)	1-1/4 (31.75)	2 (50.8)	1-1/16 (26.99)	3/8 (9.52)	1/4 (6.35)	.20 (.10)
TLS42	#6 Sol.-250 MCM	.162-.575 (4.11-14.60)	1-1/2 (38.1)	2-5/8 (66.68)	1-1/4 (31.75)	1/2 (12.7)	1/4 (6.35)	.43 (.20)
TLS42L	#6 Sol.-250 MCM	.162-.575 (4.11-14.60)	1-1/2 (38.1)	3-1/8 (79.38)	1-5/16 (33.34)	1/2 (12.7)	3/4 (19.05)	.46 (.21)
TLS52	#2 Sol.-350 MCM	.258-.681 (6.55-17.30)	1-11/16 (42.86)	2-3/4 (69.85)	1-5/16 (33.34)	1/2 (12.7)	1/4 (6.35)	.50 (.23)
TLS52L	#2 Sol.-350 MCM	.258-.681 (6.55-17.30)	1-11/16 (42.86)	3-1/4 (82.55)	1-5/16 (33.34)	1/2 (12.7)	3/4 (19.05)	.54 (.24)
TLS62	1/0 Sol.-500 MCM	.325-.813 (8.26-20.65)	1-11/16 (42.86)	3-1/16 (77.79)	1-9/16 (39.69)	1/2 (12.7)	1/4 (6.35)	.50 (.23)
TLS62L	1/0 Sol.-500 MCM	.325-.813 (8.26-20.65)	1-11/16 (42.86)	3-9/16 (90.49)	1-1/2 (38.10)	1/2 (12.7)	3/4 (19.05)	.54 (.25)
TLS89	2/0 Sol.-1000 MCM	.365-1.152 (9.27-29.26)	1-11/16 (42.86)	3-9/16 (90.49)	1-3/4 (44.45)	1/2 (12.7)	1/4 (6.35)	.79 (.36)
TLS89L	2/0 Sol.-1000 MCM	.365-1.152 (9.27-29.26)	1-11/16 (42.86)	4-3/8 (111.12)	1-3/4 (44.45)	1/2 (12.7)	3/4 (19.05)	.83 (.38)

\* Eyebolt is of sufficient length to bolt through a maximum of 1/4" or 3/4" thickness for parts with the 'L' suffix.



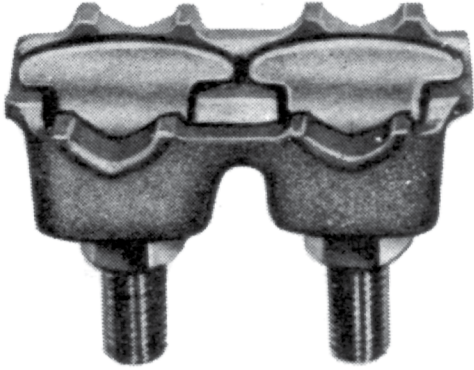
# TERMINALS

## BRONZE BOLTED TAP LUG TERMINAL

### ONE OR TWO CABLES TO FLAT

BRONZE  
TLD

SA  
8



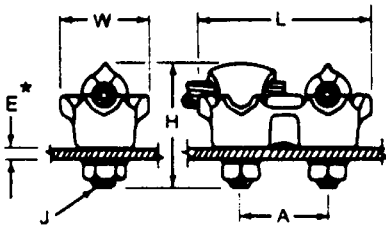
Bronze alloy terminal for connecting one or two copper cables directly to a flat copper pad. Recommended for power or grounding applications.

**Material:** Castings—Bronze alloy  
Eyebolt—High strength bronze  
Hardware—Stainless steel

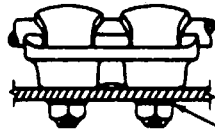
**Notes:** Sizes TLD32 through TLD89, can be tandem mounted side by side on NEMA 1 3/4" hole centers drilled for 1/2" bolts.

For copper cable connection to aluminum bus bar, specify tin-plated terminal with Belleville spring washer by adding suffix TPBW to catalog number.

**Example:** TLD62LTPBW



TWO WAY CUP  
FURNISHED THROUGH  
THE TLD32 SIZE.



ONE WAY CUP  
FURNISHED ON TLD52  
SIZE AND ABOVE

SPLIT  
LOCKWASHER

### Product Data & Conductor Size

CATALOG NUMBER	COPPER CONDUCTOR RANGE		DIMENSIONS INCHES (MM)						APPROX. WT. EACH LBS. (KG)
	CABLE	CABLE DIAMETER INCHES (MM)	L	A	H	W	J	E*	
TLD32	#8 Sol.-2/0 Str.	.128-.419 (3.25-10.64)	3-1/4 (82.55)	1-3/4 (44.45)	2-3/8 (60.32)	1-1/2 (38.1)	1/2 (12.7)	1/4 (6.35)	.90 (.40)
TLD32L	#8 Sol.-2/0 Str.	.128-.419 (3.25-10.64)	3-1/4 (82.55)	1-3/4 (44.45)	2-7/8 (73.02)	1-1/2 (38.1)	1/2 (12.7)	3/4 (19.05)	.97 (.41)
TLD52	#6 Sol.-350 MCM	.258-.681 (6.55-17.30)	3-7/16 (87.31)	1-3/4 (44.45)	2-3/4 (69.85)	1-5/16 (33.34)	1/2 (12.7)	1/4 (6.35)	1.10 (.50)
TLD52L	#6 Sol.-350 MCM	.258-.681 (6.55-17.30)	3-7/16 (87.31)	1-3/4 (44.45)	3-1/4 (82.55)	1-5/16 (33.34)	1/2 (12.7)	3/4 (19.05)	1.20 (.52)
TLD62	1/0 Sol.-500 MCM	.325-.813 (8.26-20.65)	3-7/16 (87.31)	1-3/4 (44.45)	3-1/16 (77.79)	1-9/16 (39.69)	1/2 (12.7)	1/4 (6.35)	1.20 (.52)
TLD62L	1/0 Sol.-500 MCM	.325-.813 (8.26-20.65)	3-7/16 (87.31)	1-3/4 (44.45)	3-9/16 (90.49)	1-9/16 (39.69)	1/2 (12.7)	3/4 (19.05)	1.30 (.59)
TLD89	2/0 Sol.-1000 MCM	.365-1.152 (9.27-29.26)	3-7/16 (87.31)	1-3/4 (44.45)	3-9/16 (90.49)	1-3/4 (44.45)	1/2 (12.7)	1/4 (6.35)	2.0 (.94)
TLD89L	2/0 Sol.-1000 MCM	.365-1.152 (9.27-29.26)	3-7/16 (87.31)	1-3/4 (44.45)	4-3/8 (111.12)	1-3/4 (44.45)	1/2 (12.7)	3/4 (19.05)	2.1 (.95)
TLD92L	1000-1500 MCM	1.152-1.412 (29.26-35.86)	4 (101.6)	1-3/4 (44.45)	4 (101.6)	2-1/2 (63.5)	1/2 (12.7)	3/4 (19.05)	3.0 (1.4)

\* Eyebolt is of sufficient length to bolt through a maximum of 1/4" or 3/4" thickness for parts with the 'L' suffix.

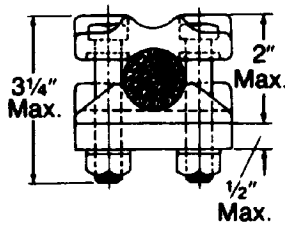
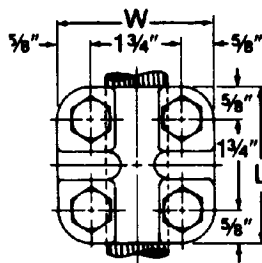
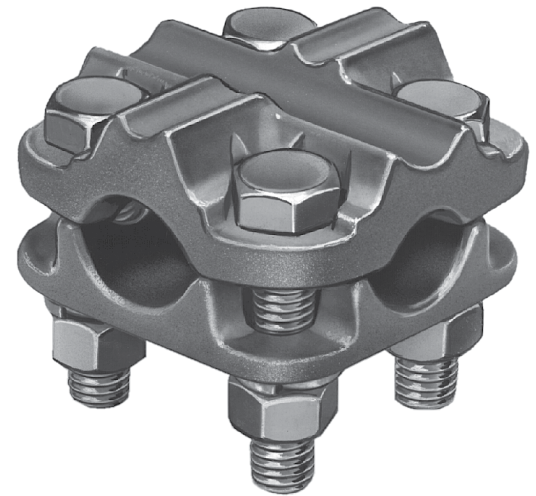


# TERMINALS BRONZE STRAIGHT BOLT TERMINAL CABLE OR TUBE TO FLAT

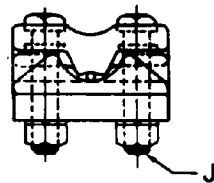
BRONZE
SPTP

Bronze alloy terminal for connecting copper cable or tube to copper flat. Reversible cap accommodates a wide range of conductor sizes. Conductor can enter straight or at 90 degrees. Bolt spacing designed to mount on NEMA 4-hole pad.

**Material:** **Castings**—bronze alloy—tin plated  
**Hardware**—stainless steel or silicon bronze



Large Groove



Small Groove

## Product Data & Conductor Size

CATALOG NUMBER	COPPER CONDUCTOR RANGE			DIMENSIONS INCHES (MM)			APPROX. WT. EACH LBS. (KG)
	CABLE	CABLE DIA. INCHES (MM)	TUBING IPS	L	W	J	
SP4TP	#6 Sol.—1000 MCM	.162-1.152 (41.15-29.26)	3/8-3/4	3 (76.2)	3 (76.2)	1/2 (12.70)	2.7 (1.2)

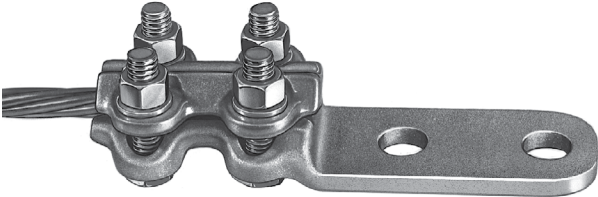


# TERMINALS

## BRONZE STRAIGHT BOLT TERMINAL CABLE TO FLAT

BRONZE  
SWL

SA  
10

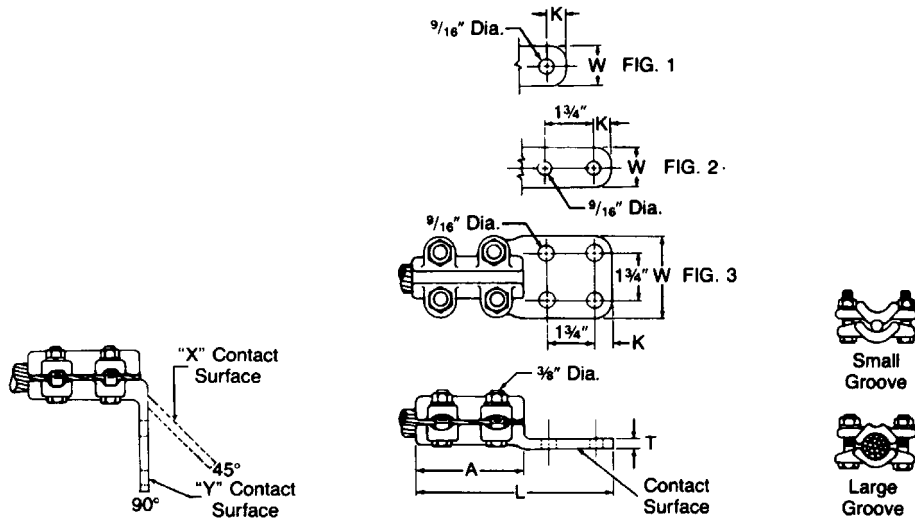


Bronze alloy terminal, with 3/8" dia. hex head clamping bolts, for connecting copper cable to copper flat. Side formed pads are standard for flush mounting. Clamping bolts have hex-stops for one-wrench installation. Tongue holes have NEMA spacing. All sizes furnished with reversible cable caps.

**Material:** Castings—bronze alloy  
**Clamping hardware**—silicon bronze or stainless steel

45° & 90° angle connectors may be obtained by specifying desired angle.

**Example:** SWL050CY90



### Product Data & Conductor Size

CATALOG NUMBER	FIG. NO.	COPPER CONDUCTOR RANGE			DIMENSIONS INCHES (MM)					APPROX. WT. EACH LBS. (KG)
		SMALL GROOVE	LARGE GROOVE	DIA. INCHES (MM)	L	A	K	T	W	
SWL022B	2	#6 Sol.-#2 Str.	#2 Sol.-2/0 Str.	.162-.419 (4.11-10.64)	5-3/4 (146.04)	2-1/2 (63.5)	5/8 (15.88)	1/4 (6.35)	1-1/2 (38.1)	1.5 (.7)
SWL022C	3				5-7/8 (149.22)	2-1/2 (63.5)	5/8 (15.88)	1/4 (6.35)	3 (76.2)	1.8 (.8)
SWL025B	2	#4 Sol.-1/0 Str.	2/0 Sol.-250 MCM	.204-.575 (5.18-14.60)	6-1/8 (155.58)	2-3/4 (69.85)	5/8 (15.88)	1/4 (6.35)	1-1/2 (38.1)	1.4 (.7)
SWL025C	3				6-1/8 (155.58)	2-3/4 (69.85)	5/8 (15.88)	1/4 (6.35)	3 (76.2)	2.0 (.9)
SWL050B2	2	1/0 Sol.-4/0 Str.	250-500 MCM	.325-.813 (8.25-20.65)	6-1/4 (158.75)	2-3/4 (69.85)	5/8 (15.88)	3/8 (9.52)	2 (50.8)	2.1 (1.0)
SWL050C	3				6-1/4 (158.75)	2-3/4 (69.85)	5/8 (15.88)	5/16 (7.94)	3 (76.2)	2.4 (1.1)

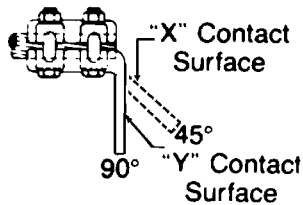
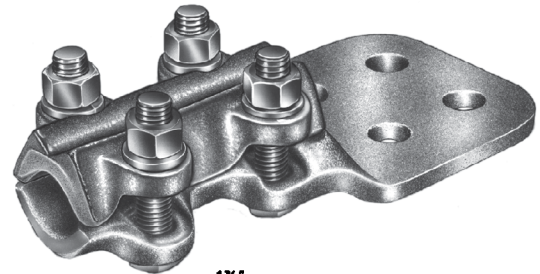


# TERMINALS BRONZE STRAIGHT BOLT TERMINAL CABLE TO FLAT

BRONZE  
SWH

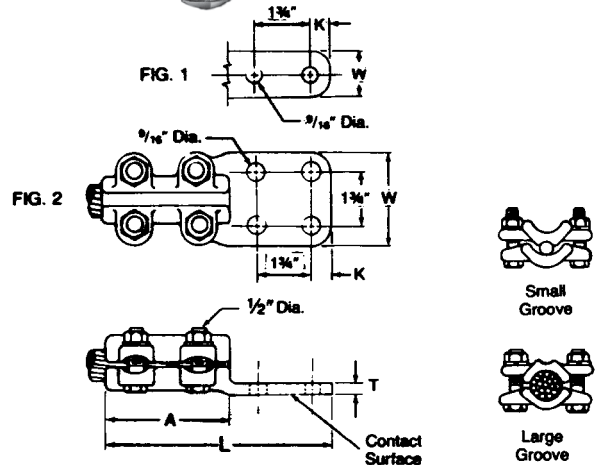
Heavy duty, bronze alloy terminal, with 1/2" dia. hex-head clamping bolts for connecting copper cable to copper flat. Side formed pads are standard for flush mounting. Clamping bolts have hex-stops for one-wrench installation. Tongue holes have NEMA spacing. All sizes furnished with reversible cable caps.

**Material:** Castings—bronze alloy  
Clamping hardware—silicon bronze or stainless steel



45° & 90° angle connectors may be obtained by specifying desired angle.

**Example:** SWH025BY90



## Product Data & Conductor Size

CATALOG NUMBER	FIG. NO.	COPPER CONDUCTOR RANGE			DIMENSIONS INCHES (MM)					APPROX. WT. EACH LBS. (KG)
		SMALL GROOVE	LARGE GROOVE	CABLE DIA. INCHES (MM)	L	A	K	T	W	
SWH025B	1	#4 Sol.-1/0 Str.	2/0 Str.-250 MCM	.204-.575 (5.18-14.60)	6 (152.4)	2-3/4 (69.85)	5/8 (15.88)	1/4 (6.35)	1-1/2 (38.1)	2.4 (1.1)
SWH025C	2				6 (152.4)	2-3/4 (69.85)	5/8 (15.88)	1/4 (6.35)	3 (76.2)	2.7 (2.1)
SWH050B2	1	1/0 Sol.-4/0 Str.	250-500 MCM	.325-.813 (8.26-20.65)	6 (152.4)	2-3/4 (69.85)	5/8 (15.88)	5/16 (7.94)	2 (50.8)	2.9 (1.3)
SWH050C	2				6-1/4 (158.75)	2-3/4 (69.85)	5/8 (15.88)	1/4 (6.35)	3 (76.2)	2.8 (1.3)
SWH080B2	1	2/0 Sol.-500 MCM	500-800 MCM	.365-1.031 (9.27-26.19)	6-1/4 (158.75)	2-3/4 (69.85)	5/8 (15.88)	3/8 (9.52)	2 (50.8)	3.2 (1.5)
SWH080C	2				6-1/4 (158.75)	4 (101.6)	5/8 (15.88)	5/16 (7.94)	3 (76.2)	4.1 (1.9)
SWH080D	2				8-1/4 (209.55)	4 (101.6)	1-1/8 (28.58)	5/16 (7.94)	4 (101.6)	6.4 (2.9)
SWH100B2	1	4/0 Str.-750 MCM	750-1000 MCM	.522-1.152 (13.26-29.76)	7-3/4 (196.85)	4-1/2 (114.3)	5/8 (15.88)	7/16 (11.11)	2 (50.8)	4.4 (2.0)
SWH100C	2				7 (177.85)	3-1/2 (88.9)	5/8 (15.88)	7/16 (11.11)	3 (76.2)	4.2 (1.9)
SWH100D	2				8-3/4 (222.25)	4-1/2 (114.3)	1-1/8 (28.58)	5/16 (7.94)	4 (101.6)	5.6 (2.5)
SWH200C	2	500-1500 MCM	1500-2000 MCM	.811-1.632 (20.60-41.45)	8-1/2 (215.9)	5-1/4 (133.35)	5/8 (15.88)	7/16 (11.11)	3 (76.2)	7.2 (3.3)
SWH200D	2				9-1/2 (241.3)	5-1/4 (133.35)	1-1/8 (28.58)	7/16 (11.11)	4 (101.6)	8.5 (3.9)



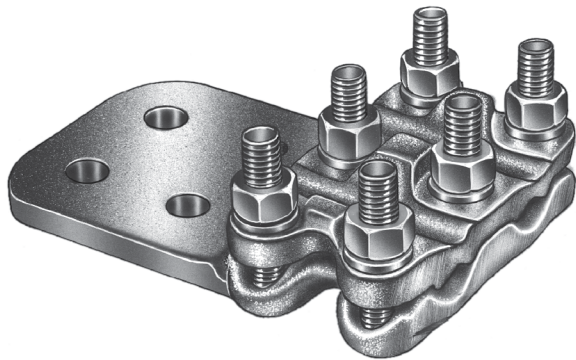
# TERMINALS

## BRONZE STRAIGHT BOLT TERMINAL

### TWO CABLES TO FLAT

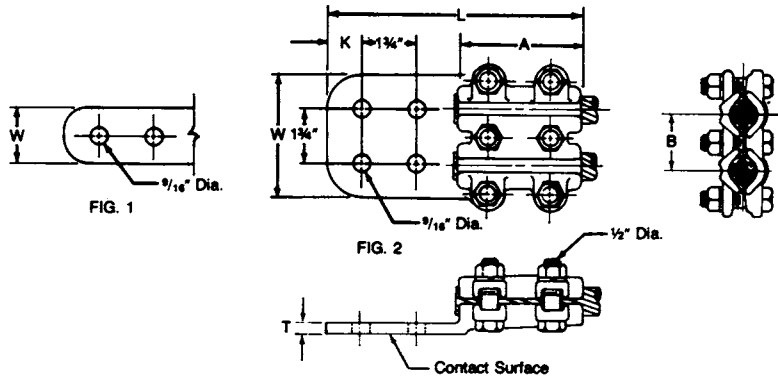
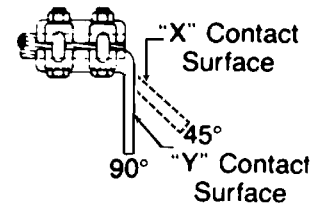
BRONZE  
SWHD

SA  
12



Bronze alloy terminal for connecting two copper cables of equal size to a copper flat. Tongue holes have NEMA spacing. All sizes furnished with reversible cable caps.

**Material:** Castings—bronze alloy  
Clamping hardware—silicon bronze or stainless steel



45° & 90° angle connectors may be obtained by specifying desired angle.

**Example:** SWHD050B2Y90

### Product Data & Conductor Size

CATALOG NUMBER	FIG. NO.	COPPER CONDUCTOR RANGE			DIMENSIONS INCHES (MM)						APPROX. WT. EACH LBS. (KG)
		SMALL GROOVE	LARGE GROOVE	CABLE DIA. INCHES (MM)	L	A	K	T	W	B	
SWHD025B2	1	#4 Sol.-1/0 Str.	2/0 Sol.-250 MCM	.204-.575 (5.18-14.60)	6-1/4 (158.75)	2-1/2 (63.5)	5/8 (15.88)	5/16 (7.94)	2 (50.8)	1-1/4 (31.75)	3.7 (1.7)
SWHD025C	2				6-1/4 (158.75)	2-1/2 (63.5)	5/8 (15.88)	5/16 (7.94)	3 (76.2)	1-1/4 (31.75)	4.1 (1.9)
SWHD050B2	1	1/0 Sol.-4/0 Str.	250-500 MCM	.325-.813 (8.26-20.65)	6-3/8 (161.92)	2-3/4 (69.85)	5/8 (15.88)	1/2 (12.7)	2 (50.8)	3-7/8 (98.42)	5.1 (2.3)
SWHD050C	2				6-3/8 (161.92)	2-3/4 (69.85)	5/8 (15.88)	1/2 (12.7)	3 (76.2)	1-3/8 (34.92)	5.4 (2.4)
SWHD050D	2				7-1/2 (190.5)	2-3/4 (69.85)	1-1/8 (28.58)	1/2 (12.7)	4 (101.6)	1-3/8 (34.92)	6.6 (3.0)
SWHD100D	2	4/0 Str.-750 MCM	750-1000 MCM	.522-1.152 (13.26-29.26)	7-1/4 (184.15)	2-3/4 (69.85)	1-1/8 (28.58)	1/2 (12.7)	4 (101.6)	1-7/8 (47.62)	6.8 (3.1)
SWHD200D	2	500-1500 MCM	1500-2000 MCM	.811-1.632 (20.60-41.45)	9-3/4 (247.65)	5-1/4 (133.35)	1-1/8 (28.58)	3/4 (19.05)	4 (101.6)	2-1/4 (57.15)	7.6 (3.4)



# TERMINALS

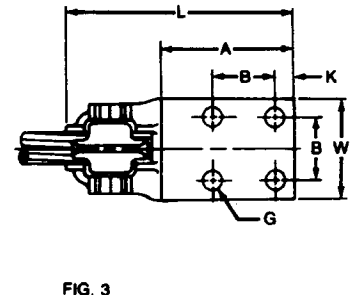
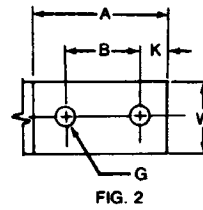
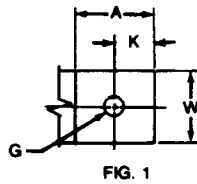
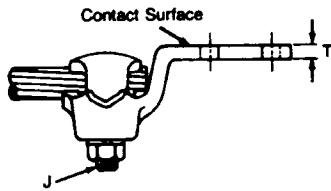
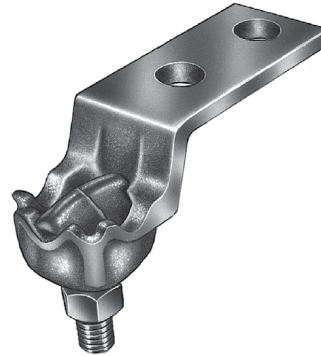
## BRONZE SINGLE EYEBOLT TERMINAL

### CABLE TO FLAT

BRONZE  
VL4S

Bronze single eyebolt terminal for connecting copper cable to copper flat. Side formed pads are standard for flush mounting.

**Material:** **Castings**—bronze alloy  
**Eyebolt**—high strength bronze  
**Hardware**—silicon bronze or stainless steel



### Product Data & Conductor Size

CATALOG NUMBER	FIG. NO.	COPPER CONDUCTOR RANGE		DIMENSIONS INCHES (MM)								APPROX. WT. EACH LBS. (KG)
		CABLE	CABLE DIA. INCHES (MM)	L	A	B	K	T	W	J	G	
VL4S212H	1	#10 Sol.-#1 Str.	.102-.332 (2.59-8.43)	3-3/8 (85.72)	1-1/2 (38.1)	—	1/2 (12.7)	3/16 (4.76)	1 (25.4)	3/8 (9.52)	7/16 (11.11)	.4 (.2)
VL4S213H	2			3-3/4 (95.25)	2-1/2 (63.5)	1-1/8 (28.58)	1/2 (12.7)	3/16 (4.76)	1 (25.4)	3/8 (9.52)	7/16 (11.11)	.5 (.2)
VL4S341H	1	#8 Sol.-# 2/O Str.	.128-.419 (3.25-10.64)	2-13/16 (71.44)	1-3/8 (34.92)	—	1/2 (12.7)	1/4 (6.35)	3/4 (19.05)	3/8 (9.52)	7/16 (11.11)	.4 (.2)
VL4S343H	2			4-1/16 (103.19)	2-5/8 (66.68)	1-1/8 (28.58)	1/2 (12.7)	1/4 (6.35)	1 (25.4)	3/8 (9.52)	7/16 (11.11)	1.5 (.7)
VL4S344H	2			5-1/8 (130.18)	3-5/8 (92.08)	1-3/4 (44.45)	5/8 (15.88)	1/4 (6.35)	1 (25.4)	3/8 (9.52)	9/16 (14.29)	.6 (.3)
VL4S411H	1	#6 Sol.-250 MCM	.162-.575 (4.11-14.60)	3-7/8 (98.42)	1-1/4 (31.75)	—	9/16 (14.29)	1/4 (6.35)	1-1/8 (28.58)	1/2 (12.7)	9/16 (14.29)	.9 (.4)
VL4S412H	2			3-7/8 (98.42)	2 (50.8)	1 (25.4)	1/2 (12.7)	1/4 (6.35)	1-1/4 (31.75)	1/2 (12.7)	7/16 (11.11)	.8 (.3)
VL4S414H	2			5-1/4 (133.35)	3-5/8 (92.06)	1-3/4 (44.45)	5/8 (15.88)	1/4 (6.35)	1-5/8 (41.28)	1/2 (12.7)	9/16 (14.29)	1.2 (.5)
VL4S571H	1	#2 Sol.-350 MCM	.258-.681 (6.55-17.30)	3-7/16 (87.31)	1-1/2 (38.1)	—	5/8 (15.88)	1/4 (6.35)	1-1/8 (28.58)	1/2 (12.7)	9/16 (14.29)	1.0 (.5)
VL4S574H	2			5-5/8 (142.88)	3-5/8 (92.08)	1-3/4 (44.45)	5/8 (15.88)	1/4 (6.35)	1-5/8 (41.28)	1/2 (12.7)	9/16 (14.29)	1.3 (.6)
*VL4S611H	2	1/0 Sol.-500 MCM	.325-.813 (8.26-20.65)	4-7/8 (123.82)	2-1/4 (57.15)	1-1/8 (28.58)	1/2 (12.7)	1/4 (6.35)	1-1/4 (31.75)	1/2 (12.7)	7/16 (11.11)	1.9 (.9)
*VL4S613H	2			5-7/8 (149.22)	3-5/8 (92.08)	1-3/4 (44.45)	5/8 (15.88)	1/4 (6.35)	1-5/8 (41.28)	1/2 (12.7)	9/16 (14.29)	1.6 (.7)
*VL4S614H	2			5-11/16 (144.46)	3-1/4 (82.55)	1-3/4 (44.45)	5/8 (15.88)	1/4 (6.35)	3 (76.2)	1/2 (12.7)	9/16 (14.29)	2.3 (1.0)

\* Cable entrance only from end of terminal.

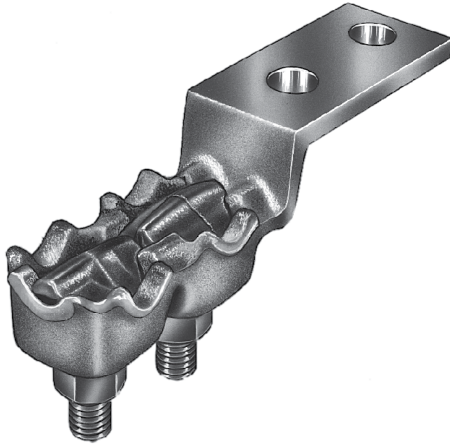


# TERMINALS

## BRONZE DOUBLE EYEBOLT TERMINAL ONE OR TWO CABLES TO FLAT

BRONZE
VL4D

SA  
14



Double eyebolt, bronze alloy terminal for connecting one or two copper cables to copper flat. Double eyebolt provides high pullout resistance.

- Material:** Casting—bronze alloy
- Eyebolts—high strength bronze
- Hardware—silicon bronze or stainless steel

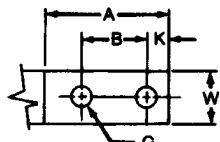


FIGURE 1

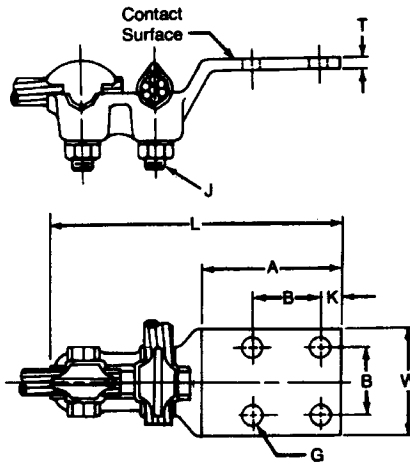


FIGURE 2

### Product Data & Conductor Size

CATALOG NUMBER	FIG. NO.	COPPER CONDUCTOR RANGE		DIMENSIONS INCHES (MM)								APPROX. WT. EACH LBS. (KG)
		CABLE	CABLE DIA. INCHES (MM)	L	A	B	K	T	W	J	G	
VL4D412H	1	#6 Sol.-250 MCM	.162-.575 (4.11-14.60)	5-7/8 (149.22)	2-1/2 (63.5)	1 (25.4)	1/2 (12.7)	1/4 (6.35)	1-1/8 (28.58)	1/2 (12.7)	7/16 (11.11)	1.2 (.5)
VL4D414H	1			7 (177.8)	3-1/4 (82.55)	1-3/4 (44.45)	5/8 (15.88)	1/4 (6.35)	1-5/8 (41.28)	1/2 (12.7)	9/16 (14.29)	1.8 (.8)
VL4D574H	1	#2 Sol.-350 MCM	.258-.681 (6.55-17.30)	7-1/2 (190.5)	3-5/8 (92.08)	1-3/4 (44.45)	5/8 (15.88)	1/4 (6.35)	1-5/8 (41.28)	1/2 (12.7)	9/16 (14.29)	2.0 (.9)
*VL4D611H	1			7 (177.8)	2-1/2 (63.5)	1-3/4 (44.45)	1/2 (12.7)	1/4 (6.35)	1-1/4 (31.75)	1/2 (12.7)	7/16 (11.11)	2.1 (1.0)
*VL4D613H	1	1/0 Sol.-500 MCM	.325-.813 (8.26-20.65)	8 (203.2)	4 (101.6)	1-3/4 (44.45)	5/8 (15.88)	1/4 (6.35)	1-5/8 (41.28)	1/2 (12.7)	9/16 (14.29)	2.5 (1.2)
*VL4D614H	2			7-1/2 (190.5)	3-5/8 (92.06)	1-3/4 (44.45)	5/8 (15.88)	1/4 (6.35)	3 (76.2)	1/2 (12.7)	9/16 (14.29)	3.5 (1.6)
*VL4D892H	1	2/0 Sol.-1000 MCM	.365-1.152 (9.27-29.26)	7-1/2 (190.5)	3-1/4 (82.55)	1-3/4 (44.45)	5/8 (15.88)	1/2 (12.7)	2 (50.8)	1/2 (12.7)	9/16 (14.29)	4.5 (2.0)
*VL4D893H	2			7-1/2 (190.5)	3-1/4 (82.55)	1-3/4 (44.45)	5/8 (15.88)	1/2 (12.7)	3 (76.2)	1/2 (12.7)	9/16 (14.29)	4.9 (2.2)

\* Cable entrance only from end of terminal.





# TERMINALS

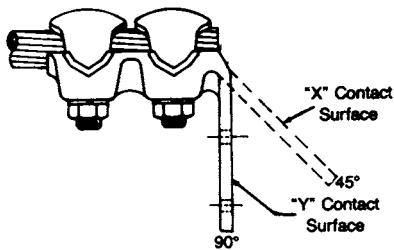
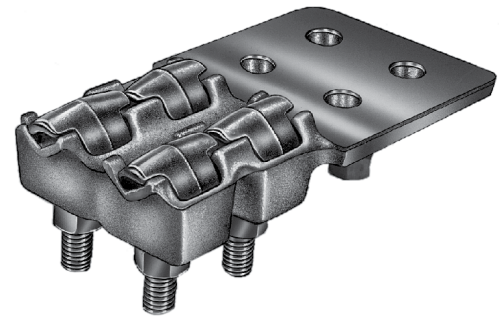
## BRONZE DOUBLE EYEBOLT TERMINAL

### TWO CABLES TO FLAT

BRONZE
VL2

Bronze alloy terminal, with double eyebolt clamping for connecting two copper cables to copper flat. Double eyebolt provides high pullout resistance. Tongue holes have NEMA spacing.

**Material:** Casting—bronze alloy  
 Eyebolts—high strength bronze  
 Hardware—silicon bronze or stainless steel



45° & 90° angle connectors may be obtained by specifying desired angle.

**Example:** VL261B2HY90

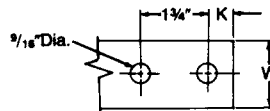


FIG. 1

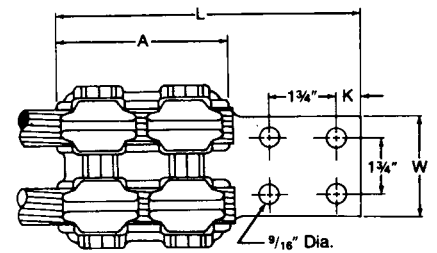
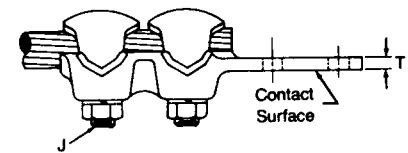


FIG. 2

### Product Data & Conductor Size

CATALOG NUMBER	FIG. NO.	COPPER CONDUCTOR RANGE		DIMENSIONS INCHES (MM)						APPROX. WT. EACH LBS. (KG)
		CABLE	CABLE DIA. INCHES (MM)	L	A	K	T	W	J	
VL241BH	1	#6 Sol.-250 MCM	.162-.575 (4.11-14.60)	6-1/2 (165.1)	3-1/4 (82.55)	5/8 (15.88)	1/4 (6.35)	2 (50.8)	1/2 (12.7)	2.7 (1.3)
VL241CH	2			6-3/4 (171.45)	3-1/2 (88.9)	5/8 (15.88)	1/4 (6.35)	3 (76.2)	1/2 (12.7)	3.0 (1.3)
VL257B2H	1	#2 Sol.-350 MCM	.258-.681 (6.55-17.30)	6-9/16 (166.69)	3-9/16 (90.49)	5/8 (15.88)	1/4 (6.35)	2 (50.8)	1/2 (12.7)	3.0 (1.3)
VL257CH	2			6-9/16 (166.69)	3-9/16 (90.49)	5/8 (15.88)	1/4 (6.35)	3 (76.2)	1/2 (12.7)	3.5 (1.6)
*VL261B2H	1	1/0 Sol.-500 MCM	.325-.813 (8.26-20.65)	6-9/16 (166.69)	3-9/16 (90.49)	5/8 (15.88)	5/16 (7.94)	2 (50.8)	1/2 (12.7)	3.8 (1.7)
*VL261CH	2			6-11/16 (169.86)	3-11/16 (93.66)	5/8 (15.88)	5/16 (7.94)	3 (76.2)	1/2 (12.7)	3.5 (1.6)
*VL261DH	2			7-9/16 (192.09)	3-9/16 (90.49)	1-1/8 (28.58)	5/16 (7.94)	4 (101.6)	1/2 (12.7)	4.5 (2.0)
*VL289CH	2	2/0 Sol.-1000 MCM	.365-1.152 (9.27-29.26)	6-15/16 (176.21)	3-11/16 (93.66)	5/8 (15.88)	1/2 (12.7)	3 (76.2)	1/2 (12.7)	5.6 (2.6)
*VL289DH	2			7-15/16 (201.61)	3-11/16 (93.66)	1-1/8 (28.58)	1/2 (12.7)	4 (101.6)	1/2 (12.7)	6.7 (3.0)
*VL292DH	2	1000-1500 MCM	1.152-1.412 (29.26-35.86)	8-1/4 (209.55)	4 (101.6)	1-1/8 (28.58)	5/8 (15.88)	4 (101.6)	1/2 (12.7)	7.9 (3.5)

\* Cable entrance only from end of terminal.

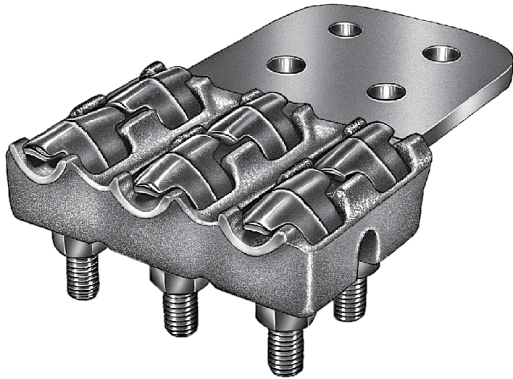


# TERMINALS

## BRONZE DOUBLE EYEBOLT TERMINAL THREE CABLES TO FLAT

BRONZE  
VL3D

SA  
16

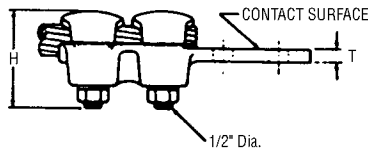
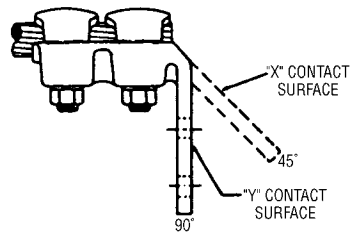
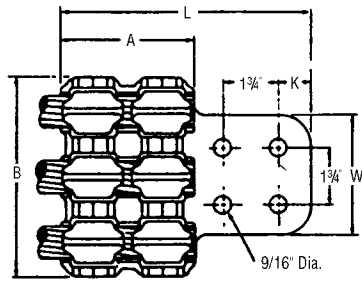


Bronze alloy terminal, with double eyebolt clamping for connecting three copper cables to copper flat. Double eyebolt provides high pullout resistance. Tongue holes have NEMA spacing.

- Material:** Casting—bronze alloy
- Eyebolts—high strength bronze
- Hardware—silicon bronze or stainless steel

45° & 90° angle connectors may be obtained by specifying desired angle.

**Example:** VL3D61DHY90



### Product Data & Conductor Size

CATALOG NUMBER	COPPER CONDUCTOR RANGE		DIMENSIONS INCHES (MM)							APPROX. WT. EACH LBS. (KG)
	CABLE	CABLE DIA. INCHES (MM)	L	A	H	K	T	W	B	
VL3D61DH	1/0 Sol.-500 MCM	.325-.813 (8.26-20.65)	8 (203.2)	4 (101.6)	3 (76.2)	1-1/8 (28.58)	5/16 (7.94)	4 (101.6)	5-1/16 (128.59)	6.0 (2.7)
VL3D71CH	350-750 MCM	.681-.998 (16.3-25.35)	7-1/2 (190.5)	4 (101.6)	3 (76.2)	5/8 (15.88)	1/2 (12.7)	3 (76.2)	5-3/4 (146.05)	6.7 (3.04)
VL3D89DH	2/0 Sol.-1000 MCM	.365-1.152 (9.27-29.26)	8 (203.2)	3-3/4 (95.25)	3-3/4 (95.25)	1-1/8 (28.58)	1/2 (12.7)	4 (101.6)	5-7/8 (149.22)	9.6 (4.4)
VL3D92DH	1000-1500 MCM	1.152-1.412 (29.26-35.86)	8 (203.2)	4 (101.6)	4 (101.6)	1-1/8 (28.58)	5/8 (15.88)	4 (101.6)	7-1/2 (190.5)	12.0 (5.4)



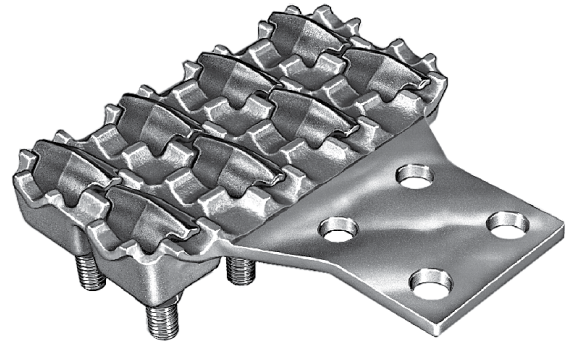
# TERMINALS

## BRONZE DOUBLE EYEBOLT TERMINAL FOUR CABLES TO FLAT

BRONZE  
VL44D

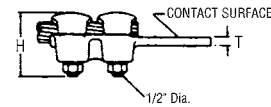
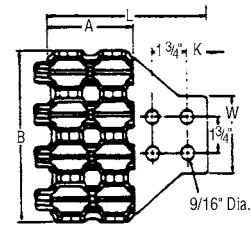
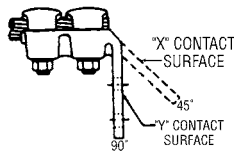
Bronze alloy terminal, with double eyebolt clamping for connecting four copper cables to copper flat. Double eyebolt provides high pullout resistance. Tongue holes have NEMA spacing.

**Material:** **Casting**—bronze alloy  
**Eyebolts**—high strength bronze  
**Hardware**—silicon bronze or stainless steel



45° & 90° angle connectors may be obtained by specifying desired angle.

**Example:** VL44D71DHY90



### Product Data & Conductor Size

CATALOG NUMBER	COPPER CONDUCTOR RANGE		DIMENSIONS INCHES (MM)							APPROX. WT. EACH LBS. (KG)
	CABLE	CABLE DIA. INCHES (MM)	L	A	H	K	T	W	B	
VL44D61DH	1/0 Sol.-500 MCM	.325-.813 (8.26-20.65)	8-1/4 (209.55)	4 (101.6)	3 (76.2)	1-1/8 (28.58)	5/16 (7.94)	4 (101.6)	6-3/4 (171.45)	7.5 (3.4)
VL44D71DH	350-750 MCM	.681-.998 (16.3-25.35)	8-1/4 (209.55)	4 (101.6)	3 (76.2)	1-1/8 (28.58)	3/8 (9.52)	4 (101.6)	7-5/8 (193.68)	9.6 (4.36)
VL44D89DH	2/0 Sol.-1000 MCM	.365-1.152 (9.27-29.26)	8-1/4 (209.55)	3-11/16 (93.66)	3-3/4 (95.25)	1-1/8 (28.58)	1/2 (12.7)	4 (101.6)	8 (203.2)	11.6 (5.3)



# TERMINALS

## BRONZE STRAIGHT BOLT TERMINAL TUBE TO FLAT

BRONZE  
STF4

Copper alloy terminal for connecting copper tubing to copper flat. Side formed pad is standard for flush mounting. Suitable for normal and heavy duty applications. Tongue holes have NEMA spacing.

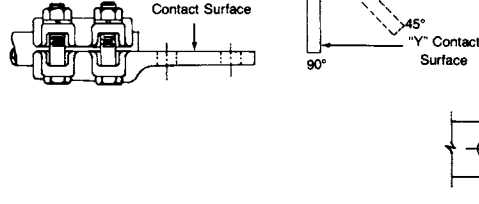
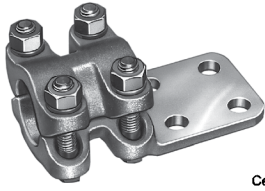


FIG. 1

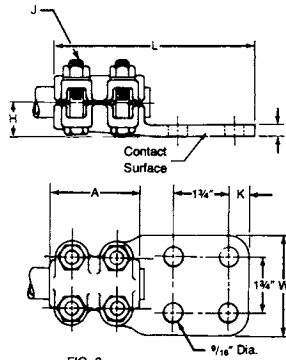


FIG. 2

**Material:** Castings—bronze alloy  
**Clamping hardware**—silicon bronze or stainless steel

Center formed tongues may be obtained by adding suffix "CF" to catalog number.

**Example:** STF420CCF

45° & 90° angle connectors may be obtained by specifying desired angle.

**Example:** STF414B2Y90

### Product Data & Conductor Size

CATALOG NUMBER	FIG. NO.	CONDUCTOR SIZE TUBING IPS	DIMENSIONS INCHES (MM)							APPROX. WT. EACH LBS. (KG)
			L	A	H	K	T	W	J	
STF404B3	1	1/2	5-3/4 (146.05)	2-1/2 (63.5)	7/8 (22.22)	5/8 (15.88)	5/16 (7.94)	1-1/2 (38.1)	3/8 (9.52)	1.8 (.8)
STF406B2	1	3/4	6 (152.4)	2-1/2 (63.5)	1-1/8 (28.58)	5/8 (15.88)	3/8 (9.52)	2 (50.8)	1/2 (12.7)	3.6 (1.6)
STF406C	2	3/4	6 (152.4)	2-1/2 (63.5)	1-1/8 (28.58)	5/8 (15.88)	3/8 (9.52)	3 (76.2)	1/2 (12.7)	3.8 (1.7)
STF410B2	1	1	5-5/8 (142.88)	2-1/2 (63.5)	1-1/8 (28.58)	5/8 (15.88)	5/16 (7.94)	2 (50.8)	1/2 (12.7)	3.3 (1.5)
STF410C	2	1	5-3/4 (146.05)	2-1/2 (63.5)	1-1/8 (28.58)	5/8 (15.88)	3/8 (9.52)	3 (76.2)	1/2 (12.7)	4.2 (1.9)
STF412B2	1	1-1/4	6 (152.4)	2-3/4 (69.85)	1-3/8 (34.92)	5/8 (15.88)	3/8 (9.52)	2 (50.8)	1/2 (12.7)	4.2 (1.9)
STF412C	2	1-1/4	6 (152.4)	2-3/4 (69.85)	1-3/8 (34.92)	5/8 (15.88)	3/8 (9.52)	3 (76.2)	1/2 (12.7)	4.5 (2.0)
STF414B2	1	1-1/2	6 (152.4)	2-3/4 (69.85)	1-5/8 (41.28)	5/8 (15.88)	7/16 (11.11)	2 (50.8)	1/2 (12.7)	4.1 (1.9)
STF414C	2	1-1/2	6 (152.4)	2-3/4 (69.85)	1-5/8 (41.28)	5/8 (15.88)	3/8 (9.52)	3 (76.2)	1/2 (12.7)	5.0 (2.3)
STF420B2	1	2	6-1/4 (158.75)	2-3/4 (69.85)	1-3/4 (44.45)	5/8 (15.88)	7/16 (11.11)	2 (50.8)	1/2 (12.7)	4.5 (2.0)
STF420C	2	2	6 (152.4)	2-3/4 (69.85)	1-3/4 (44.45)	1-1/8 (28.58)	3/8 (9.52)	3 (76.2)	1/2 (12.7)	5.5 (2.5)
STF420D	2	2	7-1/8 (180.98)	2-3/4 (69.85)	1-3/4 (44.45)	5/8 (15.88)	3/8 (9.52)	4 (101.6)	1/2 (12.7)	6.7 (3.0)
STF424C	2	2-1/2	6 (152.4)	2-3/4 (69.85)	2-1/8 (53.98)	1-1/8 (28.58)	1/2 (12.7)	3 (76.2)	1/2 (12.7)	6.3 (2.9)
STF424D	2	2-1/2	7-3/4 (196.85)	3-1/4 (82.55)	2-1/8 (53.98)	1-1/8 (28.58)	1/2 (12.7)	4 (101.6)	1/2 (12.7)	7.4 (3.4)
STF430C	2	3	7 (177.8)	3-1/2 (88.9)	2-1/2 (63.5)	5/8 (15.88)	5/8 (15.88)	3 (76.2)	5/8 (15.88)	10.9 (4.9)
STF430D	2	3	8 (203.2)	3-1/2 (88.9)	2-1/2 (63.5)	1-1/8 (28.58)	5/8 (15.88)	4 (101.6)	5/8 (15.88)	11.8 (5.3)
STF434D	2	3-1/2	8-1/4 (209.55)	3-1/2 (88.9)	2-7/8 (73.02)	1-1/8 (28.58)	3/4 (19.05)	4 (101.6)	5/8 (15.88)	15.2 (6.9)
STF440D	2	4	8-1/2 (215.9)	4 (101.6)	3-1/4 (82.55)	1-1/8 (28.58)	3/4 (19.05)	4 (101.6)	5/8 (15.88)	18.3 (8.3)

SA  
18

# TERMINALS

## BRONZE BOLTED EXPANSION TERMINAL TUBE TO FLAT

BRONZE  
FSTFL\_\_G

Bronze alloy, expansion terminal for connecting a copper tube to copper flat. Tongue holes have NEMA spacing. Tubing guide ball is designed for use with standard tubing.

- Material:**
- Castings**—bronze alloy
  - Factory formed laminated shunt**—copper
  - Clamping hardware**—silicon bronze or stainless steel
  - Shunt hardware**—silicon bronze or stainless steel
  - Guide ball**—bronze alloy

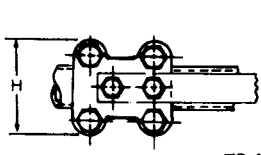
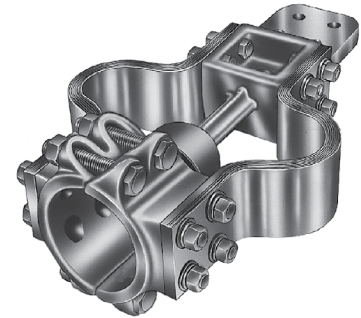


FIG. 1

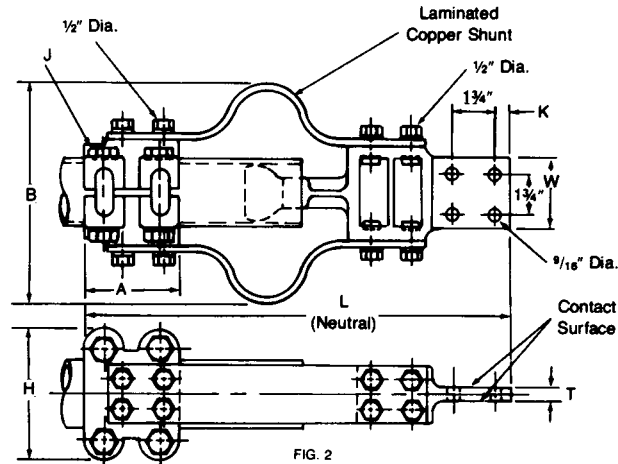
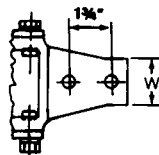


FIG. 2

### Product Data & Conductor Size

CATALOG NUMBER	FIG. NO.	CONDUCTOR SIZE TUBING IPS	DIMENSIONS INCHES (MM)								APPROX. WT. EACH LBS. (KG)
			L	A	H	K	T	W	B	J	
FSTFL10B2G	1	1	16 (406.4)	3 (76.2)	3-3/16 (98.64)	5/8 (15.88)	7/16 (11.11)	2 (50.8)	7-1/2 (190.5)	1/2 (12.7)	28.1 (12.8)
FSTFL10CG	2	1	16 (406.4)	3 (76.2)	3-3/16 (98.64)	5/8 (15.88)	3/8 (9.52)	3 (76.2)	7-1/4 (184.2)	1/2 (12.7)	29.2 (13.2)
FSTFL12B2G	1	1-1/4	16 (406.4)	3 (76.2)	3-3/8 (85.72)	5/8 (15.88)	7/16 (11.11)	2 (50.8)	8-3/4 (222.25)	1/2 (12.7)	28.9 (13.1)
FSTFL12CG	2	1-1/4	16 (406.4)	3 (76.2)	3-3/8 (85.72)	5/8 (15.88)	3/8 (9.52)	3 (76.2)	8-3/4 (222.25)	1/2 (12.7)	30.1 (13.7)
FSTFL14B2G	1	1-1/2	16 (406.4)	3 (76.2)	3-7/8 (98.42)	5/8 (15.88)	7/16 (11.11)	2 (50.8)	8-1/2 (215.9)	1/2 (12.7)	29.1 (13.2)
† FSTFL14CG	2	1-1/2	16 (406.4)	3-1/4 (82.55)	3-7/8 (98.42)	5/8 (15.88)	3/8 (9.52)	3 (76.2)	8-1/2 (215.9)	1/2 (12.7)	30.8 (14.0)
FSTFL20B2G	1	2	16 (406.4)	3-1/2 (88.9)	4-1/4 (107.95)	5/8 (15.88)	7/16 (11.11)	2 (50.8)	9-1/2 (241.3)	1/2 (12.7)	30.3 (13.7)
† FSTFL20CG	2	2	16 (406.4)	3-1/2 (88.9)	4-1/4 (107.95)	5/8 (15.88)	3/8 (9.52)	3 (76.2)	9-1/2 (241.3)	1/2 (12.7)	31.5 (14.3)
FSTFL24DG	2	2-1/2	16 (406.4)	3-3/4 (95.25)	4-7/8 (123.82)	1-1/8 (28.58)	3/4 (19.05)	4 (101.6)	9-1/2 (241.3)	1/2 (12.7)	32.6 (14.8)
FSTFL30DG	2	3	17 (431.8)	4 (101.6)	5-7/8 (149.22)	1-1/8 (28.58)	3/4 (19.05)	4 (101.6)	10 (254)	5/8 (15.88)	33.4 (15.2)
FSTFL34DG	2	3-1/2	18 (457.2)	4-1/4 (107.95)	6-1/4 (158.75)	1-1/8 (28.58)	3/4 (19.05)	4 (101.6)	11 (279.4)	5/8 (15.88)	34.1 (15.5)
FSTFL40DG	2	4	18 (457.2)	4 (101.6)	6-3/4 (171.45)	1-1/8 (28.58)	3/4 (19.05)	4 (101.6)	12 (304.8)	5/8 (15.88)	35.0 (15.9)

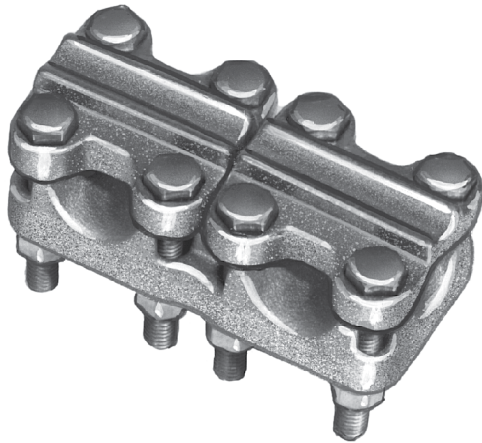
† Mounting pad is rotated 90° from plane of laminated copper straps.



# TERMINALS BRONZE BOLTED MULTI-PURPOSE CONNECTOR CABLE, TUBE, FLAT

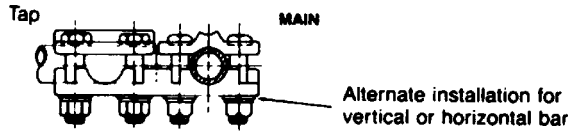
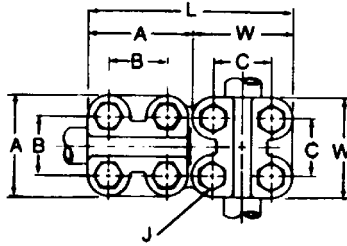
BRONZE
TS

SA  
20



Bronze multi-purpose connector for connecting copper cable, tubing, or flats as terminals, couplers or tee connectors. Recommended for emergency stocks to prevent unnecessary stoppage. Reversible cap accommodates a wide range of cable or tubing sizes. Clamping bolts have hex-stops for one-wrench installation.

**Material:** Casting—bronze alloy  
Hardware—silicon bronze or stainless steel



## Product Data & Conductor Size

CATALOG NUMBER	COPPER CONDUCTOR RANGE				MAX BAR THICK-NESS	DIMENSIONS INCHES (MM)						APPROX. WT. EACH LBS. (KG)
	MAIN		TAP			L	A	B	W	C	J	
	IPS	CABLE	IPS	CABLE								
TSAA3	1/4—3/4	#2 Sol.—800 MCM	1/4—3/4	#2 Sol.—800 MCM	1/4	4-3/4 (120.65)	2-3/8 (60.32)	1-1/2 (38.1)	2-3/8 (60.32)	1-1/2 (38.1)	3/8 (9.52)	4.8 (2.18)
TSAA		#6 Sol.—850 MCM		#6 Sol.—850 MCM	3/8	6-1/8 (155.6)	3 (76.2)	1-3/4 (44.45)	3 (76.2)	1-3/4 (44.45)	1/2 (12.7)	5.9 (2.68)
TSBA	1/2—1	4/0 Sol.—1500 MCM	1/4—3/4	#6 Sol.—850 MCM	3/8	6-3/8 (161.92)	3-1/4 (82.55)	2 (50.8)	3 (76.2)	1-3/4 (44.45)	1/2 (12.7)	7.2 (3.27)
TSBB			1/2—1	4/0 Sol.—1500 MCM	3/8	6-3/4 (171.45)	3-1/4 (82.55)	2 (50.8)	3-1/4 (82.55)	2 (50.8)	1/2 (12.7)	7.5 (3.40)
TSCC	3/4—1-1/2	850—2000 MCM	3/4—1-1/2	850—2000 MCM	1/2	8-3/8 (212.73)	4 (101.6)	2-3/4 (69.85)	4 (101.6)	2-3/4 (69.85)	1/2 (12.7)	8.5 (3.86)

# TERMINALS BRONZE BOLTED CABLE TERMINAL ADAPTER TRANSFORMER TERMINAL TO MULTIPLE CABLE

BRONZE
V

Bronze terminal adapter for connecting two, three or four copper cables to NEMA secondary transformer terminals.

**Material:** Casting—bronze alloy  
Eyebolts—high strength bronze

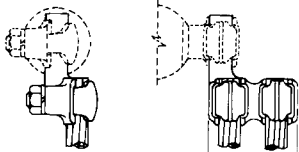
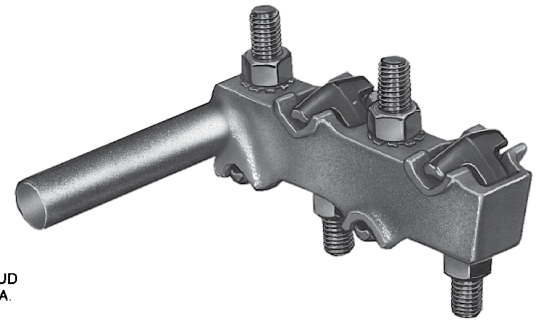


FIG. 1

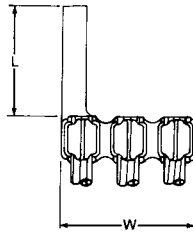


FIG. 2

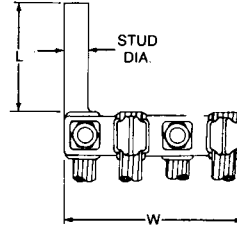


FIG. 3

## Product Data & Conductor Size

CATALOG NUMBER	FIG. NO.	TRANSFORMER TERMINAL		STUD DIA.	COPPER CONDUCTOR RANGE		DIMENSIONS INCHES (MM)		APPROX. WT. EACH LBS. (KG)
		EYEBOLT OPENING	CONDUCTOR RANGE		CABLE	DIA.	L	W	
V233	1	7/16	#8 Sol.-2/0 Str.	3/8	#8 Sol.-2/0 Sol.	.128-.365 (3.25-9.27)	1-3/4 (44.45)	2 (50.8)	.42 (.19)
V243	1	5/8	#6 Sol.-4/0 Str.	9/16	#6 Sol.-250 MCM	.162-.574 (4.11-14.58)	2 (50.8)	2-5/8 (66.68)	.94 (.43)
V253	1	13/16	#2 Sol.-350 MCM	11/16	#2 Sol.-350 MCM	.255-.681 (6.48-17.30)	2-1/2 (63.5)	3-1/8 (79.38)	1.4 (.64)
V263	1	15/16	1/0 Sol.-500 MCM	27/32	1/0 Sol.-500 MCM	.321-.813 (8.15-20.65)	3-3/4 (95.25)	3-3/4 (95.25)	2.1 (.95)
V333	2	7/16	#8 Sol.-2/0 Str.	3/8	#8 Sol.-2/0 Sol.	.128-.365 (3.25-9.27)	1-3/4 (44.45)	3 (76.2)	.64 (.29)
V343	2	5/8	#6 Sol.-4/0 Str.	9/16	#6 Sol.-250 MCM	.162-.574 (4.11-14.58)	2 (50.8)	3-7/8 (98.42)	1.3 (.59)
V353	2	13/16	#2 Sol.-350 MCM	11/16	#2 Sol.-350 MCM	.255-.681 (6.48-17.30)	2-1/2 (63.5)	4-3/4 (120.65)	1.9 (.86)
V363	2	15/16	1/0 Sol.-500 MCM	27/32	1/0 Sol.-500 MCM	.321-.813 (8.15-20.65)	3-3/4 (95.25)	5-5/8 (142.88)	2.9 (1.32)
V389	2	1-1/4	2/0 Sol.-1000 MCM	1-5/32	2/0 Sol.-1000 MCM	.361-1.152 (9.17-29.26)	4-1/2 (114.3)	6 (152.4)	4.8 (2.18)
V433	3	7/16	#8 Sol.-2/0 Str.	3/8	#8 Sol.-2/0 Sol.	.128-.365 (3.25-9.27)	1-3/4 (44.45)	4 (101.6)	1.0 (.45)
V443	3	5/8	#6 Sol.-4/0 Str.	9/16	#6 Sol.-250 MCM	.162-.574 (4.11-14.58)	2 (50.8)	5 (127.0)	1.7 (.77)
V453	3	13/16	#2 Sol.-350 MCM	11/16	#2 Sol.-350 MCM	.255-.681 (6.48-17.30)	2-1/2 (63.5)	5-5/8 (142.88)	2.2 (1.0)
V463	3	15/16	1/0 Sol.-500 MCM	27/32	1/0 Sol.-500 MCM	.321-.813 (8.15-20.65)	3-3/4 (95.25)	6-5/8 (168.28)	3.3 (1.50)
V489	3	1-1/4	2/0 Sol.-1000 MCM	1-5/32	2/0 Sol.-1000 MCM	.361-1.152 (9.17-29.26)	4-1/2 (114.3)	7-3/4 (196.85)	5.4 (2.45)



# ALUMINUM WELDMENT CONNECTORS

## INTRODUCTION

SA  
22

Welded joints of aluminum conductors offer advantages over bolted and compression fittings in performance and economy for certain applications. This is especially true when the proper welding method (MIG or TIG) and the proper weldment connectors are selected.

The best electrical joints are obtained when quality connectors of proven performance, that are backed by a reputable connector manufacturer, are installed with the proper welding methods.

Electric arc welding, with an inert gas shield, provides electrically and mechanically sound joints that require no special surface preparation other than cleaning of the joint to be welded. There is no contact resistance in a properly welded joint. The resulting connection is highly efficient and adds very little bulk to the conductors.

From an economic standpoint, welded joints are more feasible in larger substations that can justify the services of experienced welders and the use of the proper welding apparatus. Practically all types of joints for joining aluminum angle bar, sheet and tubular bus are possible through the use of proper welding accessories. It is also practical to weld tubular bus to cable and cable terminal joints through proper welding techniques and cable connectors. Of course, proper provision must be made to free the cable of high stresses in the vicinity of the weld because of the annealed conductor strands.

Many techniques have been developed for the welded assembly of aluminum conductors in substations, but certain ones have been found to offer more advantages than others. Accessories in the form of cast aluminum weldment connectors have been developed to facilitate the joining and supporting of aluminum conductors. These connectors, as developed by Anderson, have been designed to provide:

1. Rigid support and proper alignment.
2. Fast assembly without need for tedious forming and fitting of bus.
3. Continuous welds of regular contours that provide a weld area equivalent to 1-10% of the cross sectional area of the connector.
4. Neat appearance without bulky additions beyond the size and shape of the conductors.
5. Smooth contours suitable for high voltage applications where corona and R.I.V. level are of concern.
6. Flexible couplers to compensate for expansion and contraction of bus.
7. Many other features available for specific applications.

Anderson supplies cast weldment fittings of 356 aluminum alloy which are heat treated to T6 condition for applications requiring high strength and good electrical conductivity. It is wise to choose the filler alloy on the basis of the parent metal alloys to be joined. A poor choice can cause various difficulties, i.e.,

1. Low strength.
2. Weld cracking.
3. Poor corrosion resistance.
4. Poor color matching.
5. Difficulty in welding.

The filler rod material recommended by Anderson for joining 356-T6 cast aluminum fittings to EC grade aluminum conductor materials is 4043 alloy. This filler material has a typical conductivity of 40 per cent (IACS). Although it would appear that a purer material should be used for welding aluminum castings and the EC grades of conductor materials, the resulting joint usually has a lower resistance than an equivalent length of conductor. Also, a further point for consideration is that 4043 alloy is considerably easier to weld than the higher purity filler materials.

***For more information on Welding Methods and Apparatus, see reference section ST.***



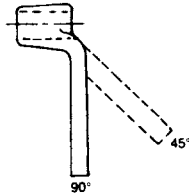


# TERMINALS WELDMENT ALUMINUM TERMINAL CABLE TO FLAT

ALUMINUM  
WCF

Aluminum alloy weldment terminal for connecting aluminum cable to aluminum or copper flat pad. Tongue holes have NEMA spacing. Contact sealant is recommended for contact pad after welding. Cable should be positioned 1/8" to 3/16" from edge inside barrel prior to puddle welding. For use with any stranding Aluminum conductor.

**Material:** Casting—356-F aluminum alloy



45° & 90° angle connectors may be obtained by specifying desired angle.

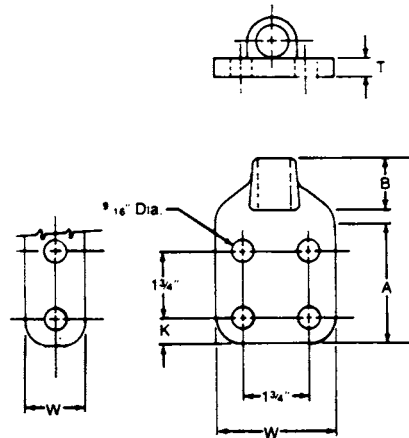


Fig. 1

Fig. 2



SA  
23

**Example:** WCF39BY90

## Product Data & Conductor Size

CATALOG NUMBER	FIG. NO.	AAC CONDUCTOR RANGE		DIMENSIONS INCHES (MM)						APPROX. WT. EACH LBS. (KG)
		CABLE SIZE	DIA.	L	A	K	T	W	B	
WCF50B	1	3/0	.447 - .470 (11.35 - 11.94)	4-1/2 (114.3)	3-1/4 (82.55)	5/8 (15.88)	5/16 (7.94)	1-1/2 (38.1)	1 (25.4)	.19 (.09)
WCF56B	1	4/0	.502 - .528 (12.75 - 13.41)	4-1/2 (114.3)	3-1/4 (82.55)	5/8 (15.88)	5/16 (7.94)	1-1/2 (38.1)	1 (25.4)	.22 (.10)
WCF63B	1	250 - 266.8 MCM	.563 - .593 (14.3 - 15.06)	4-1/2 (114.3)	3-1/4 (82.55)	5/8 (15.88)	5/16 (7.94)	1-1/2 (38.1)	1 (25.4)	.22 (.10)
WCF63C	2	250 - 266.8 MCM	.563 - .593 (14.3 - 15.06)	4-1/2 (114.3)	3-1/4 (82.55)	5/8 (15.88)	5/16 (7.94)	3 (76.2)	1 (25.4)	.42 (.19)
WCF67B	1	300 - 336.4 MCM	.625 - .670 (15.88 - 17.02)	4-3/4 (120.65)	3-1/4 (82.55)	5/8 (15.88)	3/8 (9.52)	1-1/2 (38.1)	1-1/4 (31.75)	.31 (.14)
WCF67C	2	300 - 336.4 MCM	.625 - .670 (15.88 - 17.02)	4-3/4 (120.65)	3-1/4 (82.55)	5/8 (15.88)	3/8 (9.52)	3 (76.2)	1-1/4 (31.75)	.53 (.24)
WCF72B2	1	336.4 - 350 MCM	.666 - .684 (16.92 - 17.37)	4-3/4 (120.65)	3-1/4 (82.55)	5/8 (15.88)	3/8 (9.52)	3 (76.2)	1-1/4 (31.75)	.71 (.32)
WCF72C	2	336.4 - 350 MCM	.666 - .684 (16.92 - 17.37)	4-3/4 (120.65)	3-1/4 (82.55)	5/8 (15.88)	3/8 (9.52)	3 (76.2)	1-1/4 (31.75)	.89 (.40)
WCF78B	1	397.5 - 400 MCM	.721 - .728 (18.31 - 18.49)	4-3/4 (120.65)	3-1/4 (82.55)	5/8 (15.88)	3/8 (9.52)	1-1/2 (38.1)	1-1/4 (31.75)	.78 (.35)
WCF78C	2	397.5 - 400 MCM	.721 - .728 (18.31 - 18.49)	4-3/4 (120.65)	3-1/4 (82.55)	5/8 (15.88)	3/8 (9.52)	3 (76.2)	1-1/4 (31.75)	.84 (.38)
WCF83B	1	450 - 477 MCM	.772 - .795 (19.61 - 20.19)	4-3/4 (120.65)	3-1/4 (82.55)	5/8 (15.88)	3/8 (9.52)	1-1/2 (38.1)	1-1/4 (31.75)	.75 (.34)
WCF83C	2	450 - 477 MCM	.772 - .795 (19.61 - 20.19)	4-3/4 (120.65)	3-1/4 (82.55)	5/8 (15.88)	3/8 (9.52)	3 (76.2)	1-1/4 (31.75)	.89 (.40)
WCF88B	1	500	.806 - .846 (20.47 - 21.49)	4-3/4 (120.65)	3-1/4 (82.55)	5/8 (15.88)	3/8 (9.52)	1-1/2 (38.1)	1-1/4 (31.75)	.89 (.40)
WCF88C	2	500	.806 - .846 (20.47 - 21.49)	4-3/4 (120.65)	3-1/4 (82.55)	5/8 (15.88)	3/8 (9.52)	3 (76.2)	1-1/4 (31.75)	.93 (.42)
WCF92B2	1	550 - 556.5 MCM	.855 - .883 (21.49 - 22.43)	5 (127.0)	3-1/4 (82.55)	5/8 (15.88)	1/2 (12.7)	2 (50.8)	1-1/2 (38.1)	.90 (.41)
WCF92C	2	550 - 556.5 MCM	.855 - .883 (21.49 - 22.43)	5 (127.0)	3-1/4 (82.55)	5/8 (15.88)	1/2 (12.7)	3 (76.2)	1-1/2 (38.1)	.90 (.41)

Continued on the next page.



# TERMINALS

## WELDMENT ALUMINUM TERMINAL

### CABLE TO FLAT (CONTINUED)

SA  
24

#### Product Data & Conductor Size

CATALOG NUMBER	FIG. NO.	ALUMINUM CONDUCTOR RANGE		DIMENSIONS INCHES (MM)						APPROX. WT. EACH LBS. (KG)
		CABLE SIZE	DIA.	L	A	K	T	W	B	
WCF97B2	1	600 - 650 MCM	.891 - .930 (22.63 - 23.62)	5 (127.0)	3-1/4 (82.55)	5/8 (15.88)	1/2 (12.7)	2 (50.8)	1-1/2 (38.1)	.92 (.42)
WCF97C	2	600 - 650 MCM	.891 - .930 (22.63 - 23.62)	5 (127.0)	3-1/4 (82.55)	5/8 (15.88)	1/2 (12.7)	1-1/2 (38.1)	1-1/2 (38.1)	.77 (.35)
WCF106B2	1	750 - 795 MCM	.990 - 1.028 (25.15 - 26.11)	5 (127.0)	3-1/4 (82.55)	5/8 (15.88)	1/2 (12.7)	2 (50.8)	1-1/2 (38.1)	.72 (.33)
WCF106C	2	750 - 795 MCM	.990 - 1.028 (25.15 - 26.11)	5 (127.0)	3-1/4 (82.55)	5/8 (15.88)	1/2 (12.7)	3 (76.2)	1-1/2 (38.1)	.83 (.38)
WCF106D	2	750 - 795 MCM	.990 - 1.028 (25.15 - 26.11)	6 (152.4)	4-1/8 (104.8)	1-1/8 (28.6)	1/2 (12.7)	4 (101.6)	1-3/4 (44.45)	1.03 (.47)
WCF117B2	1	900 - 954 MCM	1.093 - 1.125 (27.76 - 28.58)	5-1/4 (133.4)	3-1/4 (82.55)	5/8 (15.88)	5/8 (15.9)	2 (50.8)	1-3/4 (44.45)	.73 (.33)
WCF117C	2	900 - 954 MCM	1.093 - 1.125 (27.76 - 28.58)	5-1/4 (133.4)	3-1/4 (82.55)	5/8 (15.88)	5/8 (15.9)	3 (76.2)	1-3/4 (44.45)	.96 (.44)
WCF117D	2	900 - 954 MCM	1.093 - 1.125 (27.76 - 28.58)	6 (152.4)	4-1/8 (104.8)	1-1/8 (28.6)	1/2 (12.7)	4 (101.6)	1-3/4 (44.45)	1.2 (.54)
WCF123B2	1	1000 - 1033.5 MCM	1.140 - 1.172 (28.96 - 29.77)	5-1/4 (133.4)	3-1/4 (82.55)	5/8 (15.88)	5/8 (15.9)	2 (50.8)	1-3/4 (44.45)	.75 (.34)
WCF123C	2	1000 - 1033.5 MCM	1.140 - 1.172 (28.96 - 29.77)	5-1/4 (133.4)	3-1/4 (82.55)	5/8 (15.88)	5/8 (15.9)	3 (76.2)	1-3/4 (44.45)	.98 (.44)
WCF123D	2	1000 - 1033.5 MCM	1.140 - 1.172 (28.96 - 29.77)	6 (152.4)	4-1/8 (104.8)	1-1/8 (28.6)	1/2 (12.7)	4 (101.6)	1-3/4 (44.45)	1.3 (.59)
WCF129B2	1	1100 - 1113 MCM	1.196 - 1.245 (30.38 - 31.62)	5-1/2 (139.7)	3-1/4 (82.55)	5/8 (15.88)	3/4 (19.1)	2 (50.8)	2 (50.8)	1.0 (.45)
WCF129D	2	1100 - 1113 MCM	1.196 - 1.245 (30.38 - 31.62)	6-1/4 (158.8)	4-1/8 (104.8)	1-1/8 (28.6)	9/16 (14.3)	4 (101.6)	2 (50.8)	1.4 (.63)
WCF136D	2	1200 - 1300 MCM	1.263 - 1.315 (32.08 - 33.40)	6-1/4 (158.8)	4-1/8 (104.8)	1-1/8 (28.6)	9/16 (14.3)	4 (101.6)	2 (50.8)	1.5 (.68)
WCF143D	2	1351.5 MCM	1.320 - 1.346 (33.53 - 34.19)	6-1/4 (158.8)	4-1/8 (104.8)	1-1/8 (28.6)	9/16 (14.3)	4 (101.6)	2 (50.8)	1.5 (.68)
WCF147D	2	1431 MCM	1.364 - 1.412 (34.65 - 46.33)	6-1/4 (158.8)	4-1/8 (104.8)	1-1/8 (28.6)	9/16 (14.3)	4 (101.6)	2 (50.8)	1.5 (.68)
WCF155D	2	1590 - 1700 MCM	1.454 - 1.504 (36.93 - 38.20)	6-3/4 (171.5)	4-1/8 (104.8)	1-1/8 (28.6)	5/8 (15.9)	4 (101.6)	2-1/2 (63.5)	2.3 (1.04)
WCF172D	2	2000 MCM	1.630 - 1.631 (41.40 - 41.43)	6-3/4 (171.5)	4-1/8 (104.8)	1-1/8 (28.6)	5/8 (15.9)	4 (101.6)	2-1/2 (63.5)	2.3 (1.04)
WCF181D	2	2250 MCM	1.729 - 1.762 (43.92 - 44.75)	7-1/4 (184.2)	4-1/8 (104.8)	1-1/8 (28.6)	3/4 (19.1)	4 (101.6)	3 (76.2)	3.6 (1.63)
WCF188D	2	2500 MCM	1.823 - 1.824 (46.30 - 46.33)	7-1/4 (184.2)	4-1/8 (104.8)	1-1/8 (28.6)	3/4 (19.1)	4 (101.6)	3 (76.2)	3.6 (1.63)
WCF240D	2	--	2.4 (60.96)	7-1/4 (184.2)	4-1/4 (107.95)	1-1/8 (28.6)	1 (25.4)	4 (101.6)	2-3/4 (69.85)	3.8 (1.72)



# TERMINALS

## WELDMENT ALUMINUM TERMINAL

### TWO CABLES TO FLAT

ALUMINUM  
W2CF

Aluminum alloy weldment terminal for connecting two aluminum cables to aluminum or copper flat pad. Tongue holes have NEMA spacing. Contact sealant is recommended for contact pad after welding. Cable should be positioned 1/8" to 3/16" from edge inside barrel prior to puddle welding. For use with any stranding Aluminum conductor.

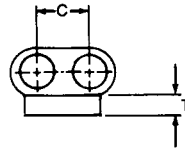
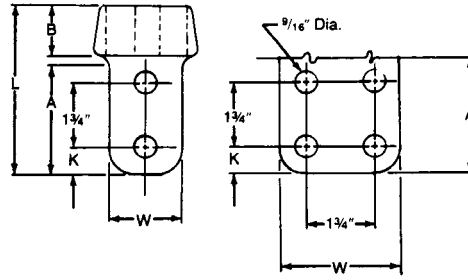


Fig. 1

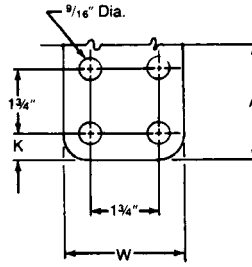
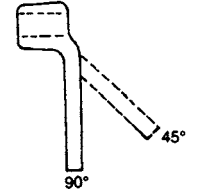
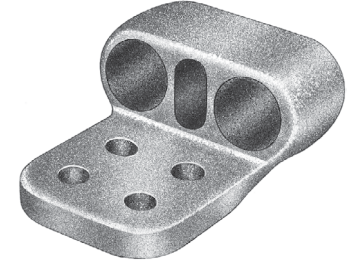


Fig. 2



**Material:** Casting—356-F aluminum alloy

45° & 90° angle connectors may be obtained by specifying desired angle.

**Example:** W2CF72CY90

### Product Data & Conductor Size

CATALOG NUMBER	FIG. NO.	ALUMINUM CONDUCTOR SIZE		DIMENSIONS INCHES (MM)							APPROX. WT. EACH LBS. (KG)
		CABLE SIZE	DIA.	L	A	K	T	B	W	C	
W2CF72C	2	336.4 - 350 MCM	.666 - .684 (16.92 - 17.37)	4-3/4 (120.7)	3-1/4 (82.6)	5/8 (15.9)	7/16 (11.1)	1-1/4 (31.8)	3 (76.2)	1-1/2 (38.1)	.72 (.33)
W2CF78C	2	397.5 - 400 MCM	.721 - .728 (18.31 - 18.49)	4-3/4 (120.7)	3-1/4 (82.6)	5/8 (15.9)	7/16 (11.1)	1-1/4 (31.8)	3 (76.2)	1-1/2 (38.1)	.73 (.33)
W2CF83C	2	450 - 477 MCM	.772 - .795 (19.61 - 20.19)	4-3/4 (120.7)	3-1/4 (82.6)	5/8 (15.9)	7/16 (11.1)	1-1/4 (31.8)	3 (76.2)	1-1/2 (38.1)	.78 (.35)
W2CF92C	2	550 - 556.5 MCM	.855 - .883 (21.97 - 22.43)	5 (127.0)	3-1/4 (82.6)	5/8 (15.9)	1/2 (12.7)	1-1/2 (38.1)	3 (76.2)	1-7/8 (47.6)	.80 (.36)
W2CF97B2	1	600 - 650 MCM	.891 - .930 (22.63 - 23.62)	5 (127.0)	3-1/2 (88.9)	5/8 (15.9)	5/8 (15.9)	1-1/2 (38.1)	3 (76.2)	1-7/8 (47.6)	.93 (.42)
W2CF97C	2	600 - 650 MCM	.891 - .930 (22.63 - 23.62)	5 (127.0)	3-1/4 (82.6)	5/8 (15.9)	1/2 (12.7)	1-1/2 (38.1)	3 (76.2)	1-7/8 (47.6)	1.1 (.50)
W2CF103C	2	700 - 715.5 MCM	.953 - .977 (24.21 - 24.82)	5 (127.0)	3-1/4 (82.6)	5/8 (15.9)	1/2 (12.7)	1-1/2 (38.1)	3 (76.2)	1-7/8 (47.6)	1.2 (.54)
W2CF106B2	1	750 - 795 MCM	.990 - 1.028 (25.15 - 26.11)	5 (127.0)	3-1/2 (88.9)	5/8 (15.9)	5/8 (15.9)	1-1/2 (38.1)	3 (76.2)	1-7/8 (47.6)	1.1 (.50)
W2CF106C	2	750 - 795 MCM	.990 - 1.028 (25.15 - 26.11)	5 (127.0)	3-1/4 (82.6)	5/8 (15.9)	1/2 (12.7)	1-1/2 (38.1)	3 (76.2)	1-7/8 (47.6)	1.3 (.59)
W2CF117C	2	900 - 954 MCM	1.093 - 1.125 (27.76 - 28.58)	5-1/4 (133.4)	3-1/4 (82.6)	5/8 (15.9)	11/16 (17.5)	1-3/4 (44.5)	3 (76.2)	2-3/16 (55.6)	1.4 (.64)
W2CF123C	2	1000 - 1033.5 MCM	1.140 - 1.172 (28.96 - 29.77)	5-1/4 (133.4)	3-1/4 (82.6)	5/8 (15.9)	11/16 (17.5)	1-3/4 (44.5)	3 (76.2)	2-3/16 (55.6)	1.8 (.82)
W2CF129D	2	1100 - 1113 MCM	1.196 - 1.245 (30.38 - 31.62)	6-1/4 (158.8)	4-1/8 (104.8)	1-1/8 (28.6)	11/16 (17.5)	2 (50.8)	4 (101.6)	2-9/16 (65.1)	2.7 (1.22)
W2CF136D	2	1200 - 1300 MCM	1.263 - 1.315 (32.08 - 33.40)	6-1/4 (158.8)	4-1/8 (104.8)	1-1/8 (28.6)	11/16 (17.5)	2 (50.8)	4 (101.6)	2-9/16 (65.1)	2.7 (1.22)
W2CF143D	2	1351.5 MCM	1.320 - 1.346 (33.53 - 34.19)	6-1/4 (158.8)	4-1/8 (104.8)	1-1/8 (28.6)	9/16 (14.3)	2 (50.8)	4 (101.6)	2-9/16 (65.1)	2.7 (1.22)
W2CF155D	2	1590 - 1700 MCM	1.454 - 1.504 (36.93 - 38.20)	6-3/4 (171.5)	4-1/8 (104.8)	1-1/8 (28.6)	3/4 (19.1)	2-1/2 (63.5)	4 (101.6)	3 (76.2)	3.6 (1.63)
W2CF172D	2	2000 MCM	1.630 - 1.631 (41.40 - 41.43)	6-3/4 (171.5)	4-1/8 (104.8)	1-1/8 (28.6)	5/8 (15.9)	2-1/2 (63.5)	4 (101.6)	3 (76.2)	3.6 (1.63)
W2CF188D	2	2500 MCM	1.823 - 1.824 (46.30 - 46.33)	7-1/4 (184.2)	4-1/8 (104.8)	1-1/8 (28.6)	1 (25.4)	3 (76.2)	4 (101.6)	3-1/4 (82.6)	5.7 (2.85)

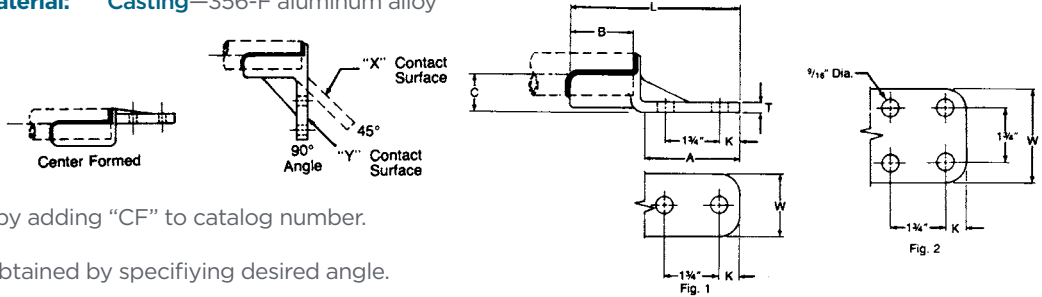
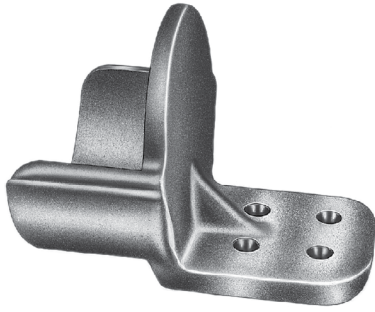


ALUMINUM  
WSTF

# TERMINALS WELDMENT ALUMINUM TERMINAL TUBE TO FLAT

Aluminum alloy weldment terminal for connecting aluminum tubing to aluminum or copper flat pad. Tongue holes have NEMA spacing. Contact sealant is recommended for contact pad after welding.

**Material:** Casting—356-F aluminum alloy



Center formed pad may be obtained by adding "CF" to catalog number.

**Example:** WSTF10B2CF

45° & 90° angle connectors may be obtained by specifying desired angle.

**Example:** WSTF06B2Y90

## Product Data & Conductor Size

CATALOG NUMBER	FIG. NO.	ALUMINUM CONDUCTOR SIZE IPS/EHIPS	DIMENSIONS INCHES (MM)							APPROX. WT. EACH LBS. (KG)
			L	A	B	C	K	T	W	
WSTF06B2	1	3/4	6 (152.4)	3-1/4 (82.55)	2-1/2 (63.5)	1-1/2 (38.1)	5/8 (15.88)	3/8 (9.52)	2 (50.8)	.53 (.24)
WSTF10B2	1	1	6-1/4 (158.75)	3-1/4 (82.55)	2-3/4 (69.85)	1-3/16 (30.16)	5/8 (15.88)	3/8 (9.52)	2 (50.8)	.66 (.30)
WSTF10C	2	1	6-1/8 (155.58)	3-1/4 (82.55)	2-3/4 (69.85)	1-3/16 (30.16)	5/8 (15.88)	3/8 (9.52)	3 (76.2)	.70 (.32)
WSTF12B2	1	1-1/4	6-5/8 (168.28)	3-1/4 (82.55)	3 (76.2)	1-3/8 (34.92)	5/8 (15.88)	3/8 (9.52)	2 (50.8)	.76 (.34)
WSTF12C	2	1-1/4	6-3/8 (161.92)	3-1/4 (82.55)	3 (76.2)	1-3/8 (34.92)	5/8 (15.88)	3/8 (9.52)	3 (76.2)	.87 (.40)
WSTF14B2	1	1-1/2	6-3/4 (171.45)	3-1/4 (82.55)	3-1/4 (82.55)	1-1/2 (38.1)	5/8 (15.88)	7/16 (11.11)	2 (50.8)	.90 (.41)
WSTF14C	2	1-1/2	6-3/4 (171.45)	3-1/4 (82.55)	3-1/4 (82.55)	1-1/2 (38.1)	5/8 (15.88)	3/8 (9.52)	3 (76.2)	.85 (.39)
WSTF20B2	1	2	7-1/8 (180.98)	3-1/4 (82.55)	3-1/2 (88.9)	1-3/4 (44.45)	5/8 (15.88)	7/16 (11.11)	2 (50.8)	1.1 (.48)
WSTF20C	2	2	5-1/2 (139.7)	3-1/4 (82.55)	1-3/4 (44.45)	1-3/4 (44.45)	5/8 (15.88)	3/8 (9.52)	3 (76.2)	1.1 (.48)
WSTF20D	2	2	7-7/8 (200.02)	4-1/4 (107.95)	3-1/2 (88.9)	1-3/4 (44.45)	1-1/8 (28.58)	1/2 (12.7)	4 (101.6)	2.0 (.89)
WSTF24B2	1	2-1/2	7-1/2 (190.5)	3-1/4 (82.55)	3-3/4 (95.25)	2 (50.8)	5/8 (15.88)	9/16 (14.29)	2 (50.8)	1.4 (.64)
WSTF24C	2	2-1/2	7-1/2 (190.5)	3-1/4 (82.55)	3-3/4 (95.25)	2 (50.8)	5/8 (15.88)	9/16 (14.29)	3 (76.2)	1.7 (.75)
WSTF24D	2	2-1/2	8-1/4 (209.55)	4-1/4 (107.95)	3-3/4 (95.25)	2 (50.8)	1-1/8 (28.58)	1/2 (12.7)	4 (101.6)	2.0 (.89)
WSTF30B2	1	3	7-7/8 (200.02)	3-1/4 (82.55)	4 (101.6)	2-3/8 (60.32)	5/8 (15.88)	11/16 (17.46)	2 (50.8)	1.9 (.86)
WSTF30C	2	3	6-1/4 (158.75)	3-1/4 (82.55)	2-1/2 (63.5)	2-3/8 (60.32)	5/8 (15.88)	5/8 (15.88)	3 (76.2)	2.0 (.89)
WSTF30D	2	3	9 (228.5)	4-1/4 (107.95)	4 (101.6)	2-3/8 (60.32)	1-1/8 (28.58)	5/8 (15.88)	4 (101.6)	2.9 (1.3)
WSTF34C	2	3-1/2	7-3/4 (196.85)	3-1/4 (82.55)	4-1/4 (107.95)	2-5/8 (66.68)	5/8 (15.88)	5/8 (15.88)	3 (76.2)	2.5 (1.1)
WSTF34D	2	3-1/2	8-3/4 (222.25)	4-1/4 (107.95)	4-1/4 (107.95)	2-5/8 (66.68)	1-1/8 (28.58)	5/8 (15.88)	4 (101.6)	3.0 (1.4)
WSTF40D	2	4	7-3/4 (196.85)	4-1/4 (107.95)	3 (76.2)	2-7/8 (73.02)	1-1/8 (28.58)	3/4 (19.05)	4 (101.6)	3.1 (1.4)
WSTF50D	2	5	7-3/4 (196.85)	4-1/4 (107.95)	3 (76.2)	3-5/8 (92.08)	1-1/8 (28.58)	3/4 (19.05)	4 (101.6)	4.1 (1.9)
WSTF60D	2	6	9-1/4 (234.95)	4-1/4 (107.95)	4-1/4 (107.95)	4 (101.6)	1-1/8 (28.58)	1 (25.4)	4 (101.6)	6.1 (2.8)



# TERMINALS WELDMENT ALUMINUM EXPANSION TERMINAL TUBE TO FLAT

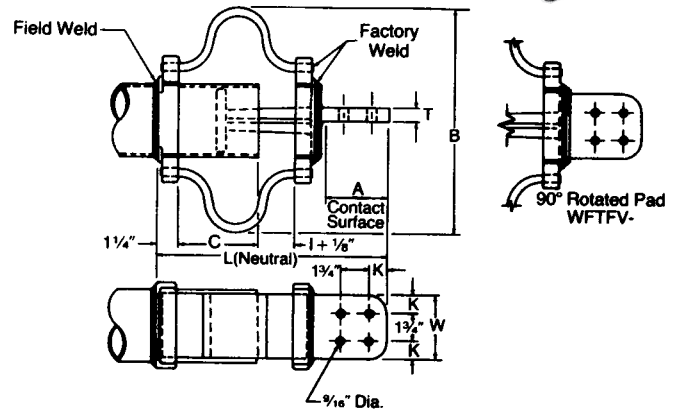
ALUMINUM  
WTFF

Aluminum alloy weldment expansion terminals for connecting standard (Schedule 40) aluminum tubing to aluminum or copper flat pad. Designed for +/- 2 inch expansion. Specify "H" in catalog number (WTFFH) if Schedule 80 EHIPS tubing is to be used. Proper guide ball and heavy laminations will be furnished. Contact sealant is recommended for contact pad.

**Material:** Casting—356-F aluminum alloy  
Factory formed laminated shunt—aluminum

**Note:** To obtain pad rotated 90 degrees, add "V" to catalog number.

**Example:** WFTFV30D



Refer to chart DC-9295 on page SA-6 for installation instructions.

## Product Data & Conductor Size

CATALOG NUMBER	ALUMINUM ** CONDUCTOR SIZE IPS	DIMENSIONS INCHES (MM)							APPROX. WT. EACH LBS. (KG)
		L	A	C	K	T	B	W	
WTF14C	1-1/2	13-1/8 (333.38)	3-1/8 (79.38)	4-5/8 (117.48)	5/8 (15.88)	1/2 (12.7)	11 (279.4)	3 (76.2)	4.3 (1.95)
WTF20C	2	13 (330.2)	3-1/8 (79.38)	4-1/2 (114.3)	5/8 (15.88)	1/2 (12.7)	11 (279.4)	3 (76.2)	5.7 (2.58)
WTF20D	2	14 (355.6)	4-1/8 (104.78)	4-1/2 (114.3)	1-1/8 (28.58)	3/8 (9.52)	11 (279.4)	4 (101.6)	7.1 (3.22)
WTF24C	2-1/2	13-1/8 (333.38)	3-1/8 (79.38)	4-5/8 (117.48)	5/8 (15.88)	5/8 (15.88)	11-1/2 (292.1)	3 (76.2)	7.8 (3.54)
WTF24D	2-1/2	14-1/8 (358.78)	4-1/8 (104.78)	4-5/8 (117.48)	1-1/8 (28.58)	1/2 (12.7)	11-1/2 (292.1)	4 (101.6)	8.2 (3.72)
WTF30C	3	13-3/8 (339.72)	3-1/8 (79.38)	4-7/8 (123.82)	5/8 (15.88)	3/4 (19.05)	12-7/8 (327.02)	3 (76.2)	8.9 (4.04)
WTF30D	3	14-3/8 (365.12)	4-1/8 (104.78)	4-7/8 (123.82)	1-1/8 (28.58)	5/8 (15.88)	12-7/8 (327.02)	4 (101.6)	9.5 (4.31)
WTF34D	3-1/2	14-1/8 (358.78)	4-1/8 (104.78)	4-5/8 (117.48)	1-1/8 (28.58)	3/4 (19.05)	13 (330.2)	4 (101.6)	10.2 (4.63)
WTF40C	4	13-3/8 (339.72)	3-1/8 (79.38)	4-7/8 (123.82)	5/8 (15.88)	7/8 (22.22)	14 (355.6)	3 (76.2)	11.1 (5.03)
WTF40D	4	14-3/8 (365.12)	4-1/8 (104.78)	4-7/8 (123.82)	1-1/8 (28.58)	7/8 (22.22)	14 (355.6)	4 (101.6)	11.8 (5.35)
WTF50D	5	14-3/4 (364.65)	4-1/8 (104.78)	5-1/8 (130.18)	1-1/8 (28.58)	1 (25.4)	15-1/2 (393.7)	4 (101.6)	15.2 (6.89)
WTF60D	6	15 (381.0)	4-1/8 (104.78)	5-3/8 (136.52)	1-1/8 (28.58)	1 (25.4)	17-1/2 (444.5)	4 (101.6)	18.5 (8.39)

\*\*40 ft. maximum total bus length

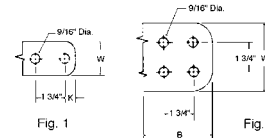
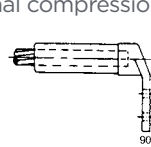


# TERMINALS LONG BARREL COMPRESSION CABLE TO FLAT

ALUMINUM  
ACF



Pure aluminum cast compression terminal for connecting aluminum cable to flat pad. Connector barrel is filled with rubber compatible sealant and enclosed in clear plastic bags. Contact sealant is recommended on the pads. Pad holes have NEMA spacing. For use with conventional compression tooling.



**Material:** Cast aluminum

## Product Data & Conductor Size

CATALOG NUMBER	CONDUCTOR RANGE*			RECOMMENDED CRIMPING DIES	FIG. NO. TYPE BARREL	DIMENSIONS INCHES (MM)						APPROX. WT. EACH LBS. (KG)		
	CONVENTIONAL COMPRESSION					L	A	B	K	T	W			
	INCHES (MM)	AAC	ACSR											
ACF20B	.414-.448	2/0	2/0 (6/1)	KEARNEY 840 OR 845; BURNDY W-K840 OR V-K840 INDEX 249; T&B TX OR 76; ALCOA 11AH;	1-A	5-7/8	2-1/4	3	5/8	7/16	1-1/2	.34		
ACF20C	(10.52-11.38)				3	(38.1)	(15.88)	(11.11)	3	(76.2)	(.15)			
ACF30B	.462-.502	3/0	3/0 (6/1)		1-A	5-7/8	2-1/4	3	5/8	7/16	1-1/2	.33		
ACF30C	(11.73-12.75)				3	(38.1)	(15.88)	(11.11)	3	(76.2)	(.15)			
ACF40B	.522-.575	4/0 - 266.8	4/0 (6/1)		1-A	5-7/8	2-1/4	3	5/8	7/16	1-1/2	.33		
ACF40C	(13.26-14.60)				3	(38.1)	(15.88)	(11.11)	3	(76.2)	(.15)			
ACF300B	.563-.630	266.8 - 300	4/0 (6/1) 266.8 (18/1)		EEI-13A; KEARNEY 1-1/8-OR 1-1/8-2 BURNDY INDEX 316, 655, OR 705; T&B 96	1-A	6-11/16	2-3/4	3	5/8	7/16	1-11/16	.58	
ACF300C	(14.30-16.00)					3	(42.85)	(15.88)	(11.11)	3	(76.2)	(.34)		
ACF350B	.618-.684	300 - 350	266.8 (26/7) 336.4 (18/1)			1-A	6-11/16	2-3/4	3	5/8	7/16	1-11/16	.57	
ACF350C	(15.70-17.37)					3	(42.85)	(15.88)	(11.11)	3	(76.2)	(.34)		
ACF400B	.666-.741	336.4 - 400	336.4 (18/1) (26/7) 397.5 (18/1)	ALCOA 13AH OR 76 AH		1-A	6-11/16	2-3/4	3	5/8	7/16	1-11/16	.56	
ACF400C	(16.92-18.82)					3	(42.85)	(15.88)	(11.11)	3	(76.2)	(.25)		
ACF475B	.743-.814	450 - 500	397.5 (18/1) (26/7) 477 (18/1)			1-A	8-1/4	4-1/2	3	5/8	9/16	1-11/16	.89	
ACF475C	(18.87-20.68)					3	(42.85)	(15.88)	(14.29)	3	(76.2)	(.40)		
ACF575B	.811-.879	500 - 556.5	477 (18/1) (26/7) 556.5 (18/1)			EEI-15A; KEARNEY 1-5/16; BURNDY INDEX 318, 720; T&B 115; ALCOA 24AH	1-A	8-1/4	4-1/2	3	5/8	9/16	1-11/16	.87
ACF575C	(20.60-22.33)						3	(42.85)	(15.88)	(14.29)	3	(76.2)	(.39)	
ACF675B	.879-.966	600 - 700	477 (30/7) 556.5 (26/7) (30/7) 636 (18/1) (36/1)		1-A		8-1/4	4-1/2	3	5/8	9/16	1-11/16	.85	
ACF675C	(22.33-24.54)				3		(42.85)	(15.88)	(14.29)	3	(76.2)	(.39)		
ACF795B	.964-1.031	700 - 800	636 (24/7) (26/7) 666 (24/7) (26/7) 715.5 (36/1)		KEARNEY 1-1/2; BURNDY INDEX 301, 342, 608, 722, OR 786; T&B 125; ALCOA 24AH		1-A	8-11/16	4-9/16	3	5/8	1/2	1-11/16	1.06
ACF795C	(24.48-26.19)						3	(42.85)	(15.88)	(12.7)	3	(76.2)	(.48)	

SA  
28



# TERMINALS LONG BARREL COMPRESSION CABLE TO FLAT

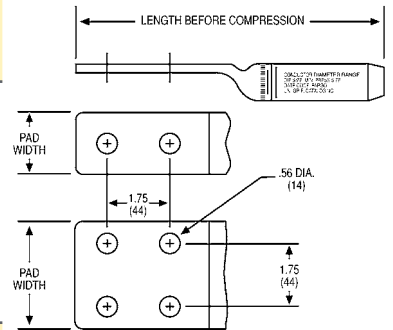
ALUMINUM  
ACF

## Product Data & Conductor Size

CATALOG NUMBER	AAC KCMIL	ACSR KCMIL (STR)	O.D. (IN) STD COND. (COMPACT / TW)	COMPR. DIES	MIN. PRESS (TONS)	PAD DETAILS		LENGTH BEFORE COMPR. (IN)	NET WT. LBS. (KG)
						BOLT HOLES	WIDTH (IN.)		
ACF630N2	266.8, 300	266.8 (18/1) (26/7)	0.574 - 0.642 (0.537 - 0.570)	76AH L792	12	2	1.6	9.1	0.7 (.32)
ACF684N2	336.4, 350	300 (26/7), 336.4 (18/1)	0.642 - 0.684 (0.610 - 0.620)	20AH L719	12	2	1.7	9.3	0.8 (.36)
ACF752N2	397.5, 400	336.4 (26/7) (30/7) 397.5 (18/1) (20/7)	0.701 - 0.752 (0.660 - 0.693)	20AH L719	12	2	1.7	9.3	0.8 (.36)
ACF814N2	450 - 500	397.5 (24/7) (26/7) (30/7) 477 (18/1)	0.752 - 0.814 (0.698 - 0.740)	20AH L719	12	2	1.8	10.9	0.8 (.36)
ACF858N2	556.5	477 (24/7) (26/7)	0.814 - 0.858 (0.745 - 0.789)	24AH L722	60	2	2.0	11	1.1 (.50)
ACF929N2	600 - 650	477 (30/7) 556 (24/7) (26/7)	0.883 - 0.929 (0.825 - 0.852)	24AH L722	60	2	2.0	11	1.0 (.45)
ACF1026N4	700 - 795	556.5 (26/7) (30/7)	0.927 - 1.026 (0.835 - 0.927)	27AH	60	4	3.2	11.3	1.5 (.68)
		636 (24/7) (26/7) (30/7)							
		666 (24/7) (26/7) (30/7)	L725						
		636 (24/7) (26/7) (30/7)							
ACF1108N4	795-900	636 (30/19)	1.019 - 1.108 (0.921 - 1.010)	30AH	60	4	2.98	13.06	2.0 (.91)
		715.5 (24/7) (26/7) (30/19)							
		795 (45/7) (54/7) (26/7)	L727						
		715.5 (30/19) 795 (45/7) (54/7) (26/7)							
ACF1196N4	954-1033.5	795 (26/7) (30/19) 954 (36/1) (45/7) (54/7)	1.108 - 1.196 (1.010 - 1.084)	30AH	60	4	3.20	13.63	2.0 (.91)
		1000-1033.5 795 (30/19) 954 (45/7) (54/7)							
ACF1263N4	1113-1200	954 (30/19) 1033.5 (45/7) (54/7) 1113 (45/7)	1.203 - 1.263 (1.092 - 1.165)	34AH L767	60	4	3.10	13.84	2.8 (1.27)
ACF1340N4	1250-1351.5	1113 (54/19) 1192.5 (45/7) (54/19)	1.289 - 1.340 (1.165 - 1.225)	34AH L767	60	4	3.33	13.97	2.7 (1.23)
ACF1386N4	1431	1192.5 (54/19) 1272 (45/7) (54/19) 1351.5 (45/7)	1.338 - 1.386 (1.225 - 1.259)	36AH L728	60	4	3.04	14.69	3.1 (1.41)
ACF1504N4	1500-1590	1351.5 (54/19) 1431 (45/7) (54/19) 1510.5 (45/7), 1590 (45/7)	1.412 - 1.504 (1.320 - 1.358)	38AH	60	4	3.51	15.19	3.5 (1.59)
ACF1545N4	1750	1510.5 (54/19) 1590 (45/7) (54/19) 1780 (84/19), 1869 (68/7)	1.504 - 1.545 (1.358 - 1.424)	40AH L735	60	4	3.49	16.00	4.2 (1.91)
ACF1700N4	2000	2034.5 (72/7), 2057 (76/19)	1.602 - 1.700 (1.445 - 1.545)	42AH	100	4	3.93	16.13	4.5 (2.04)
ACF1762N4	2250-2300	2167 (72/7) 2156 (84/19)	1.729 - 1.762 (1.545 - 1.608)	44AH	100	4	4.0	17.56	5.2 (2.36)
ACF1824N4	2500	2156 (84/19) 2312 (76/19)	1.762 - 1.824 (1.608 - 1.650)	44AH	100	4	3.93	17.94	5.2 (2.36)

Jumper terminals are pre-filled with inhibitor. Pad holes have NEMA spacing.

**Material:** Terminal-Seamless Extruded Aluminum Tube  
For use with conventional hex die tooling (3)  
Available with 15, 45 or 90 degree angled pad.  
**Example:** ACF1196N445 for 45 degree pad angle.



**IDENTIFICATION:**  
CONDUCTOR DIAMETER RANGE  
DIE SIZE, MIN PRESS SIZE  
DATE CODE, HPS  
CATALOG NO.

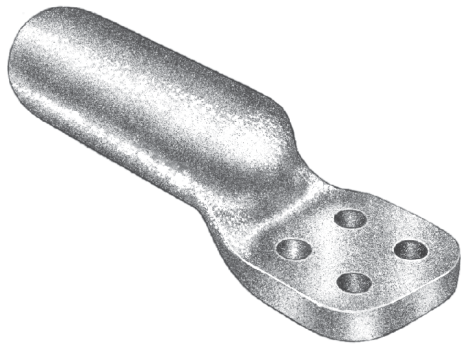
- NOTES:**
- These terminals are also recommended for AAAC and ACAR conductors within the diameter ranges listed.
  - Terminals are pre-filled with Anderson/Fargo standard joint compound.  
Consult factory for terminals pre-filled with high performance, conductive-grit compound type HTJC.
  - Terminal ACF1196N4 and smaller may be compressed with Anderson Versa-Crip tools. Consult factory for tool size and crimping procedure.
  - Terminals are EHV rated where conductor is 1 in. O.D. or larger.
  - The ACF terminals on this page replace cast terminals in the CCL series.



# TERMINALS SHORT BARREL COMPRESSION CABLE TO FLAT

ALUMINUM  
CCLS

SA  
30

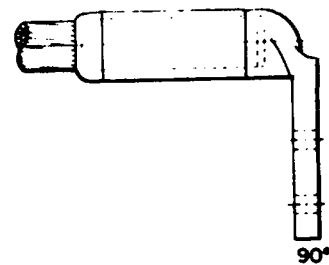
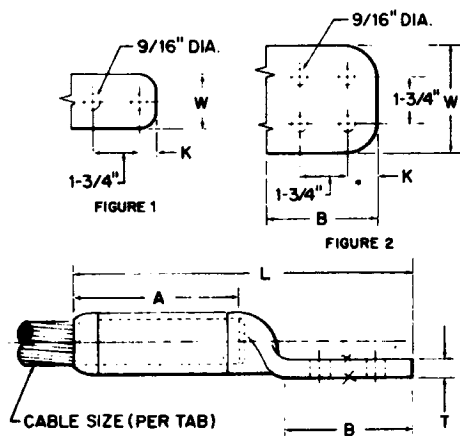


Aluminum cast, compression terminal for connecting aluminum cable to flat pad. Connector barrel is filled with rubber compatible sealant and enclosed in clear plastic bag. Contact sealant is recommended on the pads. Pad holes have NEMA spacing. Pads have contact surface on both sides. Short barrel requires less space and allows faster installation.

**Material:** Cast aluminum

For use with VERSA CRIMP® tooling through CCLS1300 (Die Ref. 1.844) and conventional compression tooling. Refer to Chart C-13282 on page A-34 for tool and die information.

**Example:** CCLS563B90



## Product Data & Conductor Size

CATALOG NUMBER	FIG. NO.	CONDUCTOR RANGE			DIE REF.	DIMENSIONS INCHES (MM)						APPROX. WT. EACH LBS. (KG)
		AAC	ACSR	DIA.		L	A	B	K	T	W	
CCLS325B	1	#2 (7)	#2 (6/1), (7/1)	.292-.325 (7.42-8.26)	.640	5-7/8 (149.22)	2-1/4 (57.15)	3-1/8 (79.38)	3/8 (9.52)	5/16 (7.94)	1-1/2 (38.1)	.2 (.09)
CCLS398B	1	1/0 (7), (19)	#1 (6/1)-1/0 (6/1)	.355-.398 (9.02-10.11)	.840	6-1/2 (165.1)	2-3/4 (69.85)	3-1/8 (79.38)	3/8 (9.52)	3/8 (9.52)	1-1/2 (38.1)	.4 (.2)
CCLS398C	2					6-1/2 (165.1)	2-3/4 (69.85)	3-1/8 (79.38)	3/8 (9.52)	3/8 (9.52)	3 (76.2)	.5 (.23)
CCLS447B	1	2/0 (7), (19)	2/0 (6/1)	.414-.447 (10.52-11.35)	.840	6-1/2 (165.1)	2-3/4 (69.85)	3-1/8 (79.38)	3/8 (9.52)	3/8 (9.52)	1-1/2 (38.1)	.4 (.2)
CCLS447C	2					6-1/2 (165.1)	2-3/4 (69.85)	3-1/8 (79.38)	3/8 (9.52)	3/8 (9.52)	3 (76.2)	.5 (.23)
CCLS502B	1	3/0 (7), (19)	110.8 (12/7)-3/0 (6/1)	.464-.502 (11.78-12.75)	.840	6-1/2 (165.1)	2-3/4 (69.85)	3-1/8 (79.38)	3/8 (9.52)	3/8 (9.52)	1-1/2 (38.1)	.4 (.2)
CCLS502C	2					6-1/2 (165.1)	2-3/4 (69.85)	3-1/8 (79.38)	3/8 (9.52)	3/8 (9.52)	3 (76.2)	.5 (.23)
CCLS563B	1	4/0 (7), (19)	3/0 (6/1)-4/0 (6/1)	.502-.563 (12.75-14.30)	1.000	6-3/4 (171.45)	3 (76.2)	3-1/8 (79.38)	3/8 (9.52)	1/2 (12.7)	1-1/2 (38.1)	.4 (.2)
CCLS563C	2					6-3/4 (171.45)	3 (76.2)	3-1/8 (79.38)	3/8 (9.52)	3/8 (9.52)	3 (76.2)	.6 (.27)
CCLS642B	1	266.8 (7)-300 (61)	176.9 (12/7)-266.8 (26/7)	.586-.642 (14.88-16.31)	1.000	6-3/4 (171.45)	3 (76.2)	3-1/8 (79.38)	3/8 (9.52)	1/2 (12.7)	1-1/2 (38.1)	.4 (.2)
CCLS642C	2					6-3/4 (171.45)	3 (76.2)	3-1/8 (79.38)	3/8 (9.52)	3/8 (9.52)	3 (76.2)	.6 (.27)

Continued on next page.

VERSA-CRIMP is a registered trademark of Hubbell Incorporated.





# TYPE CCLS ALUMINUM COMPRESSION CONNECTOR (CONTINUED)

Product Data & Conductor Size												
CATALOG NUMBER	FIG. NO.	CONDUCTOR RANGE			DIE REF.	DIMENSIONS INCHES (MM)						APPROX. WT. EACH LBS. (KG)
		AAC	ACSR	DIA.		L	A	B	K	T	W	
CCLS684B2	1	336.4 (19) - 350 (19)	300 (26/7)	.666-.684 (16.92-17.37)	1.125	7 (177.8)	3-1/4 (82.55)	3-1/8 (79.38)	5/8 (15.88)	1/2 (12.7)	2 (50.8)	.5 (.23)
CCLS684C	2					7 (177.8)	3-1/4 (82.55)	3-1/8 (79.38)	5/8 (15.88)	1/2 (12.7)	3 (76.2)	.7 (.32)
CCLS743B2	1	397.5 (19)	336.4 (26/7) - 397.5 (18/1)	.721-.743 (18.31-18.87)	1.125	7 (177.8)	3-1/4 (82.55)	3-1/8 (79.38)	5/8 (15.88)	1/2 (12.7)	2 (50.8)	.5 (.23)
CCLS743C	2					7 (177.8)	3-1/4 (82.55)	3-1/8 (79.38)	5/8 (15.88)	1/2 (12.7)	3 (76.2)	.8 (.36)
CCLS814B2	1	477 (19) - 500 (37)	397.5 (24/7)-477 (18/1)	.772-.814 (19.61-20.68)	1.250	7-3/8 (187.32)	3-1/2 (88.9)	3-1/8 (79.38)	5/8 (15.88)	1/2 (12.7)	2 (50.8)	.7 (.32)
CCLS814C	2					7-3/8 (187.32)	3-1/2 (88.9)	3-1/8 (79.38)	5/8 (15.88)	1/2 (12.7)	2 (50.8)	.7 (.32)
CCLS883B2	1	556.5 (19) - 556.5 (37)	477 (24/7)-477 (30/7)	.846-.883 (21.49-22.43)	1.468	7-3/4 (196.85)	3-7/8 (98.42)	3-1/8 (79.38)	3/8 (9.52)	1/2 (12.7)	2 (50.8)	.8 (.36)
CCLS883C	2					7-3/4 (196.85)	3-7/8 (98.42)	3-1/8 (79.38)	3/8 (9.52)	1/2 (12.7)	3 (76.2)	.9 (.41)
CCLS953B2	1	600 (37) - 650 (37)	556.5 (18/1) - 605 (24/7)	.879-.953 (22.33-24.21)	1.468	7-3/4 (196.85)	3-7/8 (98.42)	3-1/8 (79.38)	3/8 (9.52)	1/2 (12.7)	2 (50.8)	.8 (.36)
CCLS953C	2					7-3/4 (196.85)	3-7/8 (98.42)	3-1/8 (79.38)	3/8 (9.52)	1/2 (12.7)	3 (76.2)	.9 (.41)
CCLS1031B2	1	700 (37) - 795 (61)	605 (24/7) - 666 (26/7)	.953-1.031 (24.21-26.19)	1.468	7-3/4 (196.85)	3-7/8 (98.42)	3-1/8 (79.38)	3/8 (9.52)	1/2 (12.7)	2 (50.8)	.8 (.36)
CCLS1031C	2					7-3/4 (196.85)	3-7/8 (98.42)	3-1/8 (79.38)	3/8 (9.52)	1/2 (12.7)	3 (76.2)	1.0 (.45)

Additional CCLS sizes available up to 1.824"

## CONVENTIONAL COMPRESSION TOOL AND DIE INFORMATION FOR TYPE CCLS

DIE REF.	BURNDY TOOLS & DIES						ANDERSON			ALCOA TOOLS & DIES		
	INDEX	Y34A	Y35	Y48B	Y486RB	Y60B	VC TOOLS	HC-12 (U-DIE)	EP-60S (L-DIE)	12A, 12HA	60A	F1,H,H2,H2H
.640	243	A243	U243	C243		L243	VC6	HT41DM		B73AH		
.840	249	A249	U249	C249		L249	VC6	HT41DW		B74AH		
1.000	251	A251	U251	C251	F251	L251	VC6	HT41DY		B75AH		
1.125	316	A316	U316	C316	F316	L316	VC6	HT41FM		B76AH		
1.250	317		U317	C317	F317	L317	VC8	HT41FN	HT6020AH		6020AH	4420AH
1.468	261*		U261	C261	F261	L261	VC8	HT41EK	HT6024AH		6024AH	4424AH
1.625	301			C39AR	F39AR	L39ART	VC8	HT41EK	HT6027AH		6027AH	4427AH
1.844	302			C44AR	F44AR	L44ART	VC8		HT6030AH		6030AH	4430AH
2.062	479				F48AR	L48ART			HT6034AH		6034AH	4434AH
2.375	478				F46AR	L46ART			HT6038AH		6038AH	4438AH
2.625												4442AH
2.750												4444AH

\*Same as 318

**NOTES:**

- These terminals are also recommended for AAAC and ACAR conductors within the diameter ranges listed.
- Terminals are pre-filled with Anderson/Fargo standard joint compound.
- Consult factory for terminals pre-filled with high performance, conductive-grit compound type HTJC.
- Terminal ACF1196N4 and smaller may be compressed with Anderson Versa-Crip tools. Consult factory for tool size and crimping procedure.



# TERMINALS - SHORT BARREL COMPRESSION CABLE TO FLAT

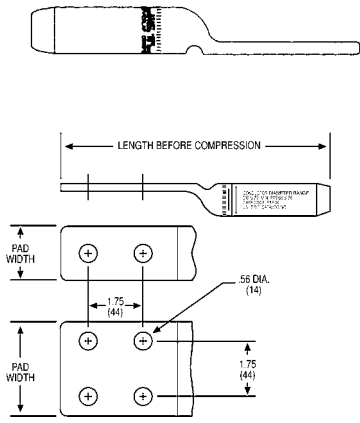
ALUMINUM  
ACFS

## Product Data & Conductor Size

SA  
32

Jumper terminals are pre-filled with inhibitor. Pad holes have NEMA spacing.

**Material:** Terminal-Seamless Extruded Aluminum Tube. For use with conventional hex die tooling (3) Available with 15, 45 or 90 degree angled pad.  
**Example:** ACFS1196N445 for 45 deg. pad angle.



IDENTIFICATION:  
CONDUCTOR DIAMETER RANGE  
DIE SIZE, MIN PRESS SIZE  
DATE CODE, HPS  
CATALOG NO.

- NOTES:**
1. These terminals are also recommended for AAAC and ACAR conductors within the diameter ranges listed.
  2. Terminals are pre-filled with Anderson/Fargo standard joint compound. Consult factory for terminals pre-filled with high performance, conductive-grit compound type HTJC.
  3. Terminal ACFS1196N4 and smaller may be compressed with Anderson Versa-Crip tools. Consult factory for tool size and crimping procedure.
  4. Terminals are EHV rated where conductor is 1 in. O.D. or larger.

CATALOG NUMBER	AAC KCMIL	ACSR KCMIL (STR)	O.D. (IN) STD COND. (COMPACT / TW)	COMPR. DIES	MIN. PRESS (TONS)	PAD DETAILS		LENGTH BEFORE COMPR. (IN)	NET WT LBS. (KG)
						BOLT HOLES	WIDTH (IN.)		
ACFS814N2	450 - 500	397.5 (24/7) (26/7) (30/7) 477 (18/1)	0.752 - 0.814 (0.698 - 0.740)	20AH L719	12	2	1.8	9.4	0.7 (.32)
ACFS858N2	556.5	477 (24/7) (26/7)	0.814 - 0.858 (0.745 - 0.789)	24AH L722	60	2	2.0	9.9	0.7 (.32)
ACFS929N2	600 - 650	477 (30/7) 556 (24/7) (26/7)	0.883 - 0.929 (0.825 - 0.852)	24AH L722	60	2	2.0	9.9	0.9 (.41)
ACFS1026N4	700 - 795	556.5 (26/7) (30/7) 636 (24/7) (26/7) (30/7) 666 (24/7) (26/7)	0.927 - 1.026 (0.835 - 0.927)	27AH	60	4	3.2	10.0	1.3 (.59)
		636 (24/7) (26/7) (30/7) 666 (24/7) (26/7)	0.963 - 1.026 (0.860 - 0.927)	L725					
ACFS1108N4	795 - 900	636 (30/19) 715.5 (24/7) (26/7) (30/19) 795 (45/7) (54/7) (26/7)	1.019 - 1.108 (0.921 - 1.010)	30AH	60	4	2.98	11.25	1.7 (.77)
		715.5 (30/19) 795 (45/7) (54/7) (26/7)	1.077 - 1.108 (0.977 - 1.108)	L727					
ACFS1196N4	954 - 1033.5	795 (26/7) (30/19) 954 (36/1) (45/7) (54/7)	1.108 - 1.196 (1.010 - 1.084)	30AH	60	4	3.20	11.50	1.7 (.77)
	1000 - 1033.5	795 (30/19) 954 (45/7) (54/7)	1.140 - 1.196 (1.040 - 1.084)	L727					
ACFS1263N4	1113 - 1200	954 (30/19) 1033.5 (45/7) (54/7) 1113 (45/7)	1.203 - 1.263 (1.092 - 1.165)	34AH L767	60	4	3.10	11.84	2.4 (1.09)
ACFS1340N4	1250 - 1351.5	1113 (54/19) 1192.5 (45/7) (54/19)	1.289 - 1.340 (1.165 - 1.225)	34AH L767	60	4	3.33	12.22	2.4 (1.09)
ACFS1386N4	1431	1192.5 (54/19) 1272 (45/7) (54/19) 1351.5 (45/7)	1.338 - 1.386 (1.225 - 1.259)	36AH L728	60	4	3.04	12.81	2.7 (1.23)
ACFS1504N4	1500 - 1590	1351.5 (54/19) 1431 (45/7) (54/19) 1510.5 (45/7), 1590 (45/7)	1.412 - 1.504 (1.320 - 1.358)	38AH	60	4	3.51	13.19	3.0 (1.36)
ACFS1545N4	1750	1510.5 (54/19) 1590 (45/7) (54/19)	1.504 - 1.545 (1.358 - 1.424)	40AH L735	60	4	3.49	13.97	3.7 (1.68)
ACFS1700N4	2000	1780 (84/19), 1869 (68/7) 2034.5 (72/7), 2057 (76/19)	1.602 - 1.700 (1.445 - 1.545)	42AH	100	4	3.93	14.03	3.9 (1.77)
ACFS1762N4	2250 - 2300	2167 (72/7) 2156 (84/19)	1.729 - 1.762 (1.545 - 1.608)	44AH	100	4	4.0	15.31	4.5 (2.04)
ACFS1824N4	2500	2156 (84/19) 2312 (76/19)	1.762 - 1.824 (1.608 - 1.650)	44AH	100	4	3.93	15.44	4.5 (2.04)



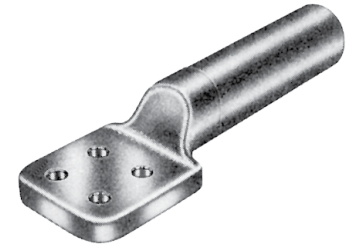
# COPPER TERMINAL CABLE TO FLAT TYPE BCL

COPPER
BCL

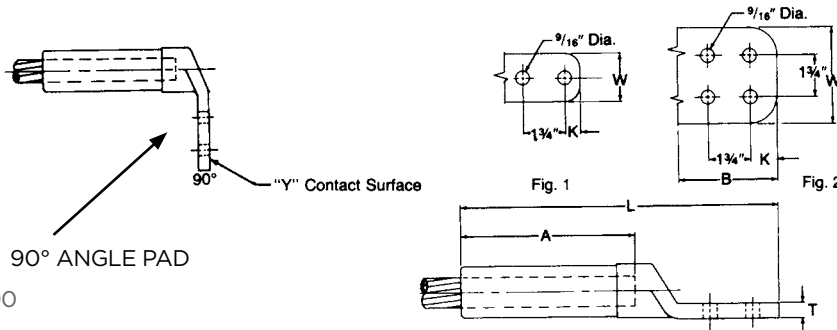
Heavy duty, copper compression terminal for connecting copper cable to copper flat pad. Pad holes have NEMA spacing.

**Material:** CDA 110 Copper

For use with conventional compression tooling. Refer to page A-51 for tool and die information.



SA  
33



**Example:** BCL024BY90

## Product Data & Conductor Size

CATALOG NUMBER	FIG. NO.	COPPER CONDUCTOR RANGE		DIE REF.	DIMENSIONS INCHES (MM)						APPROX. WT. EACH LBS. (KG)
		CABLE	DIA.		L	A	B	K	T	W	
BCL016B	1	#4 Str.	.232 (5.89)	.640	6 (152.4)	2 (50.8)	3-1/4 (82.55)	5/8 (15.88)	1/4 (6.35)	1-3/16 (30.16)	.5 (.2)
BCL018B	1	#2 Str.	.292 (7.42)	.640	6 (152.4)	2 (50.8)	3-1/4 (82.55)	5/8 (15.88)	1/4 (6.35)	1-3/16 (30.16)	.5 (.2)
BCL021B	1	1/0 Str.	.373 (9.47)	.840	713 (181.1)	2-3/4 (69.85)	3-1/4 (82.55)	5/8 (15.88)	5/16 (7.9)	1-1/2 (38.1)	1.2 (.54)
BCL022B	1	2/0 Str.	.419 (10.64)	.840	713 (181.1)	2-3/4 (69.85)	3-1/4 (82.55)	5/8 (15.88)	5/16 (7.9)	1-1/2 (38.1)	1.2 (.54)
BCL022C	2				788 (200.15)	2-3/4 (69.85)	3-1/4 (82.55)	5/8 (15.88)	5/16 (7.9)	3 (76.2)	1.7 (.77)
BCL023B	1	3/0 Str.	.470 (11.94)	.840	713 (181.1)	2-3/4 (69.85)	3-1/4 (82.55)	5/8 (15.88)	5/16 (7.9)	1-1/2 (38.1)	1.2 (.54)
BCL024B	1	4/0 Str.	.528 (13.41)	.840	713 (181.1)	2-3/4 (69.85)	3-1/4 (82.55)	5/8 (15.88)	5/16 (7.9)	1-1/2 (38.1)	1.2 (.54)
BCL024C	2				788 (200.15)	2-3/4 (69.85)	3-1/4 (82.55)	5/8 (15.88)	5/16 (7.9)	3 (76.2)	1.7 (.77)
BCL025B	1	250 MCM	.575 (14.60)	.840	713 (181.1)	2-3/4 (69.85)	3-1/4 (82.55)	5/8 (15.88)	5/16 (7.9)	1-1/2 (38.1)	1.2 (.54)
BCL025C	2				788 (200.15)	2-3/4 (69.85)	3-1/4 (82.55)	5/8 (15.88)	5/16 (7.9)	3 (76.2)	1.7 (.77)
BCL030B	1	300 MCM	.630 (16.0)	1.000	738 (187.45)	3 (76.2)	3-1/4 (82.55)	5/8 (15.88)	5/16 (7.9)	1-1/2 (38.1)	1.3 (.59)
BCL030C	2				8.06 (204.72)	3 (76.2)	3-1/4 (82.55)	5/8 (15.88)	5/16 (7.9)	3 (76.2)	1.6 (.72)
BCL035B	1	350 MCM	.681 (17.30)	1.000	738 (187.45)	3 (76.2)	3-1/4 (82.55)	5/8 (15.88)	5/16 (7.9)	1-1/2 (38.1)	1.3 (.59)
BCL035C	2				8.06 (204.72)	3 (76.2)	3-1/4 (82.55)	5/8 (15.88)	5/16 (7.9)	3 (76.2)	1.6 (.72)
BCL050B2	1	500 MCM	.813 (20.65)	1.125	788 (200.15)	3-1/2 (88.9)	3-1/4 (82.55)	5/8 (15.88)	3/8 (9.5)	1-3/4 (44.45)	1.4 (.63)
BCL050C	2				8.75 (222.25)	3-1/2 (88.9)	3-1/4 (82.55)	5/8 (15.88)	5/16 (7.9)	3 (76.2)	1.9 (.86)

Continued on next page.



# TYPE BCL COPPER COMPRESSION CONNECTOR (CONTINUED)

## Product Data & Conductor Size

SA  
34

CATALOG NUMBER	FIG. NO.	COPPER CONDUCTOR RANGE		DIE REF.	DIMENSIONS INCHES (MM)						APPROX. WT. EACH LBS. (KG)
		CABLE	DIA.		L	A	B	K	T	W	
BCL075B2	1	750 MCM	.998 (25.35)	1.312	8.63 (219.20)	4 (101.6)	3-1/4 (82.55)	5/8 (15.88)	1/2 (12.7)	2 (50.8)	2.0 (.9)
BCL075C	2				9 (228.6)	4 (101.6)	3-1/4 (82.55)	5/8 (15.88)	5/16 (7.9)	3 (76.2)	2.2 (1.0)
BCL075D	2				9.75 (247.65)	4 (101.6)	4-1/4 (107.95)	1-1/8 (25.58)	1/2 (12.7)	4 (101.6)	4.2 (1.9)
BCL100B2	1	1000 MCM	1.152 (29.26)	1.500	8.88 (225.55)	4 (101.6)	3-1/4 (82.55)	5/8 (15.88)	5/8 (15.88)	2 (50.8)	3.1 (1.4)
BCL100C	2				9 (228.6)	4 (101.6)	3-1/4 (82.55)	5/8 (15.88)	3/8 (9.5)	3 (76.2)	3.3 (1.5)
BCL100D	2				9.75 (247.65)	4 (101.6)	4-1/4 (107.95)	1-1/8 (25.58)	1/2 (12.7)	4 (101.6)	4.2 (1.9)
BCL150C	2	1500 MCM	1.412 (35.86)	2.125	10.18 (258.57)	5 (127.0)	3-1/4 (82.55)	5/8 (15.88)	5/8 (15.88)	3 (76.2)	7.5 (3.4)
BCL150D	2				11.25 (285.75)	5 (127.0)	4-1/4 (107.95)	1-1/8 (25.58)	5/8 (15.88)	4 (101.6)	9 (4.1)
BCL200C	2	2000 MCM	1.632 (41.45)	2.375	11.18 (283.97)	6 (152.4)	3-1/4 (82.55)	5/8 (15.88)	3/4 (19.05)	3 (76.2)	11 (5.0)
BCL200D	2				12.38 (314.45)	6 (152.4)	4-1/4 (107.95)	1-1/8 (25.58)	3/4 (19.05)	4 (101.6)	13 (5.9)

## CONVENTIONAL COMPRESSION DIE INFORMATION

DIE INDEX	KEARNEY	ALCOA	BURNDY	T&B
.640	5/8	73AH	243	52
.840	.840 OR .849	74AH	249	76
1.000	1.000	75AH	251	
1.125	1-1/8	76AH	490, 347, 316	96
1.312	1-5/16	20AH	327, 317, 426, 300	106
1.500	1-1/2	24AH	318, 261, 608	125
1.843	K6030AH	30AH	292, 302, 352, 579	150
2.125	2-1/8	34AH	422, 575	160, 161
2.375	2-3/8	38AH	478, 728	189
2.937	2-15/16	48AH		250

**NOTES:**

1. Crimps should overlap and start from the inside working outward with the last crimp extending past the end of the connector.
2. It is recommended that a light coat of lubricant (such as Anderson's 155 grease) be applied to the crimping face of the dies.