



[Catalog Home](#)

**Product Datasheet**

**ANDERSON FARGO**

**YCS169040 -- Y-Clevis Eye**



Y-Clevis Eye, Rotated, Ductile Iron, 0.875" Curved Bolt, Eye: 1.750" with 0.813" Hole, UTS 40,000 lb

**Product Specifications**

**Hardware Family**



**Clevis Eye &  
Y-Clevis Eye**  
Coupling Fittings

**Clevis Eye Fittings**

YCS1090  
Photo Sample

**YCS-90 Series**  
Y-Clevis Eye, Rotated  
Coupling Fittings

**PDF Catalog Page**

[Click HERE to view the web page.](#)

**Ultimate Strength**

40,000 lb ( 18,144 kg)

**Coupling Length**

2.375 in (60.33 mm)

**Eye Width**

1.750 in (44.45 mm)

**Eye Hole Diameter**

0.813 in (20.64 mm)

**Dimension B**

1.563 in (39.69 mm)

**Dimension R**

0.813 in (20.64 mm)

**Dimension W**

1.750 in (44.45 mm)

**Dimension PD**

0.875 in (22.23 mm)

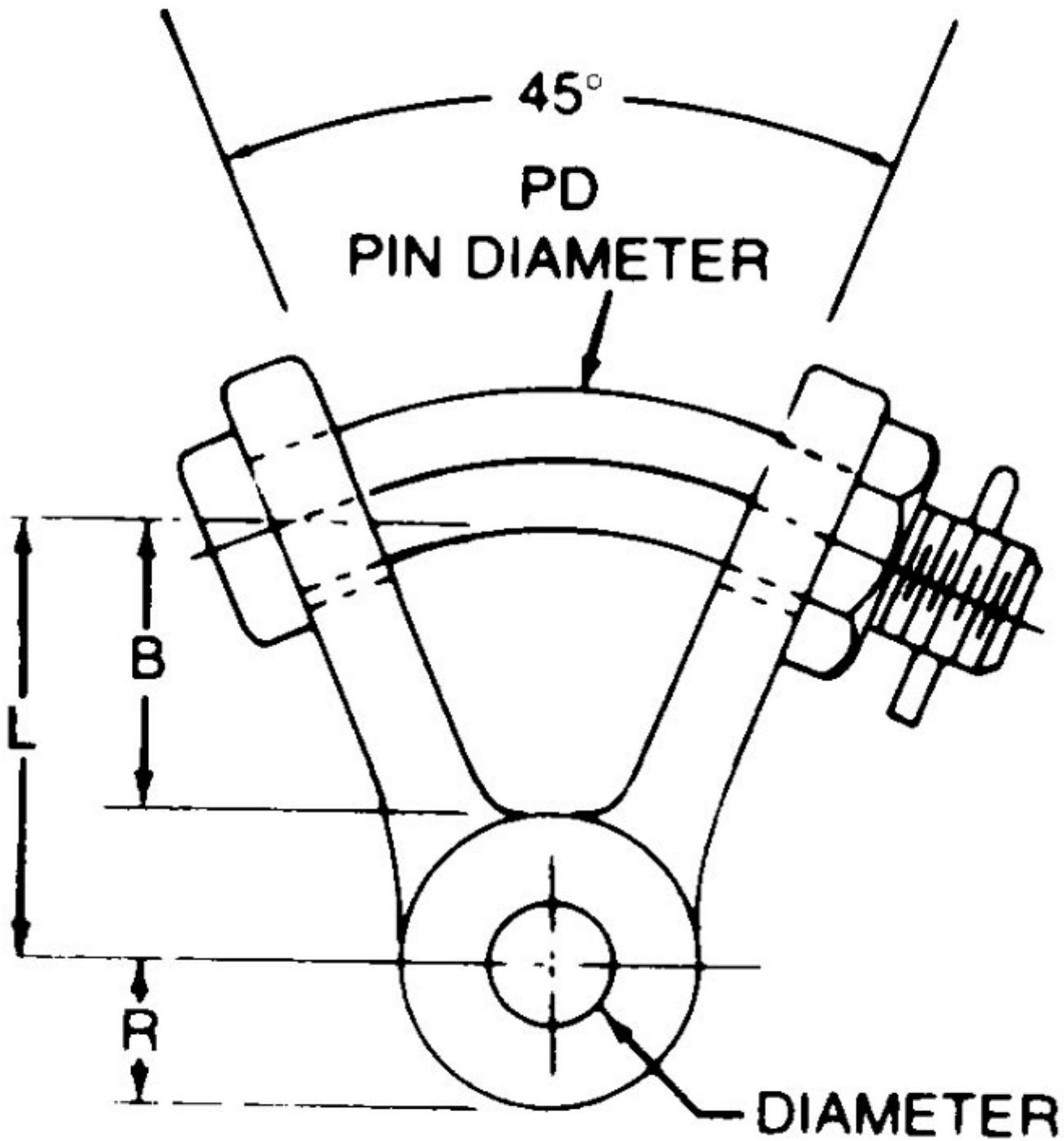
**Material**

Ductile Iron

<b>Cotter Pin Material</b>	Stainless Steel
<b>Clevis Pin Material</b>	Galvanized Steel
<b>Material Type</b>	Non-Standard
<b>UPC Code</b>	09635934467
<b>Standard Package</b>	1
<b>Standard Package Unit</b>	Each
<b>Min Order Qty</b>	1
<b>Weight / Ea.</b>	2.45 lbs

<b>Compressed Product Number</b>
----------------------------------

YCS169040
-----------



**FIGURE 2 YCS-90**

[Catalog Home](#)



[Warranty Info](#) | [Trademarks](#) | [Terms of Use](#)

*All contents Copyright © 2007 Hubbell Power Systems, Inc. All rights reserved.*

NOTE: Because Hubbell has a policy of continuous product improvement, we reserve the right to change design and specifications without notice.