

Product Datasheet
CHANCE
BP3R1MP -- By-Pass Switch

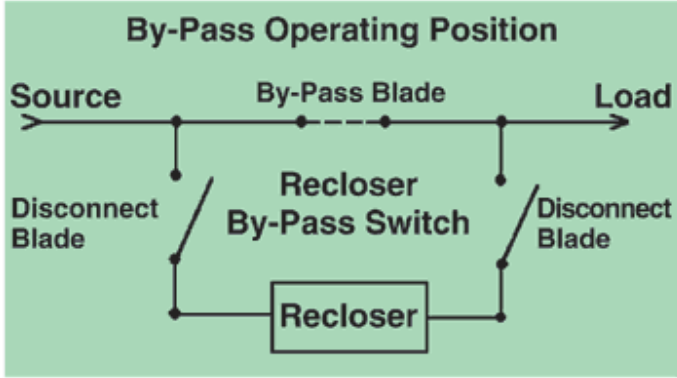
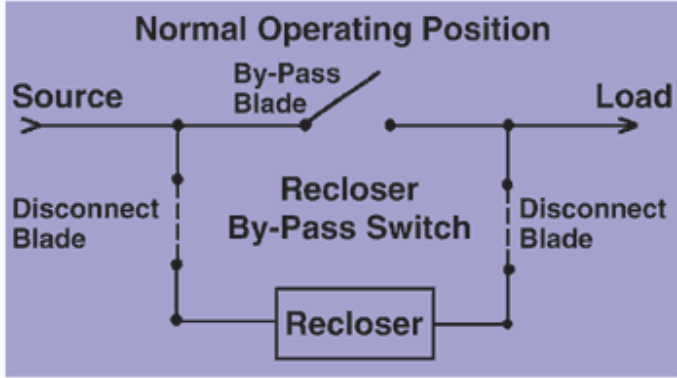

Righthand Opening, 14.4kV, 110kV LIW, 600A By-Pass Switch with Pole Mounting Bracket.

Product Specifications

Overhead Product	3-Pull By-Pass Switch (Distribution Class)
Voltage(BIL)	15kV (110kV)
Blade Opening Direction	Right
Captive Hardware	No
Terminal Connectors (ATC 1343)	Yes
Mounting Provisions	Pole Mounting Bracket
Nominal Voltage	14.4kV
Maximum System Voltage	17.1kV
BIL (LIW)	110kV
Rated 60 Htz Withstand; Dry (Wet)	50kV (45kV)
Continuous Current Rating	600 A
8hr Emergency Overload	1080 A
Peak Withstand Current	65kA peak
Short Time Withstand Current (1 sec)	25kA, symmetrical
Maximum Temperature Rise @ 600A	33°C
Insulator	ESP™ Polymer (2 1/4" Bolt Circle)
Insulator Color	Dark Gray
Leakage Distance (Insulator)	17.2" (436.9mm)
Dry Arcing Distance (Insulator)	7.1" (180.3mm)
Cantilever (Insulator)	1,200 Lbs (5.34 kN)
Tension (Insulator)	5000 Lbs (22.24kN)
Torsion (Insulator)	3,000 in Lbs (339 N-M)
Compression (Insulator)	5,000 Lbs (22.24kN)
Base Material	Galvanized Steel per ASTM A153
Blade(s)	Solid Copper (two blade truss-member)
Hinge(s)	Silver / Silver
Contact(s)	Silver / Silver
Terminal Pads	NEMA two-hole, Tin-plated Copper
Governing Standards	All Applicable ANSI/IEEE Standards
Drawing	Click HERE to view drawing of switch
Switch Weight	56 Lbs (25.4 kg)
Crated Weight	114.66 lbs
Crate Dimensions (LxWxH)	28" (711mm) x 28" (711mm) x 22" (559mm)
Material Type	Non-Standard

UPC Code	09635936768
Standard Package	1
Standard Package Unit	Each
Min Order Qty	1
Weight / Ea.	114.66 lbs

Compressed Product Number
BP3R1MP



[Catalog Home](#)



[Warranty Info](#) | [Trademarks](#) | [Terms of Use](#)

All contents Copyright © 2007 Hubbell Power Systems, Inc. All rights reserved.

NOTE: Because Hubbell has a policy of continuous product improvement, we reserve the right to change design and specifications without notice.